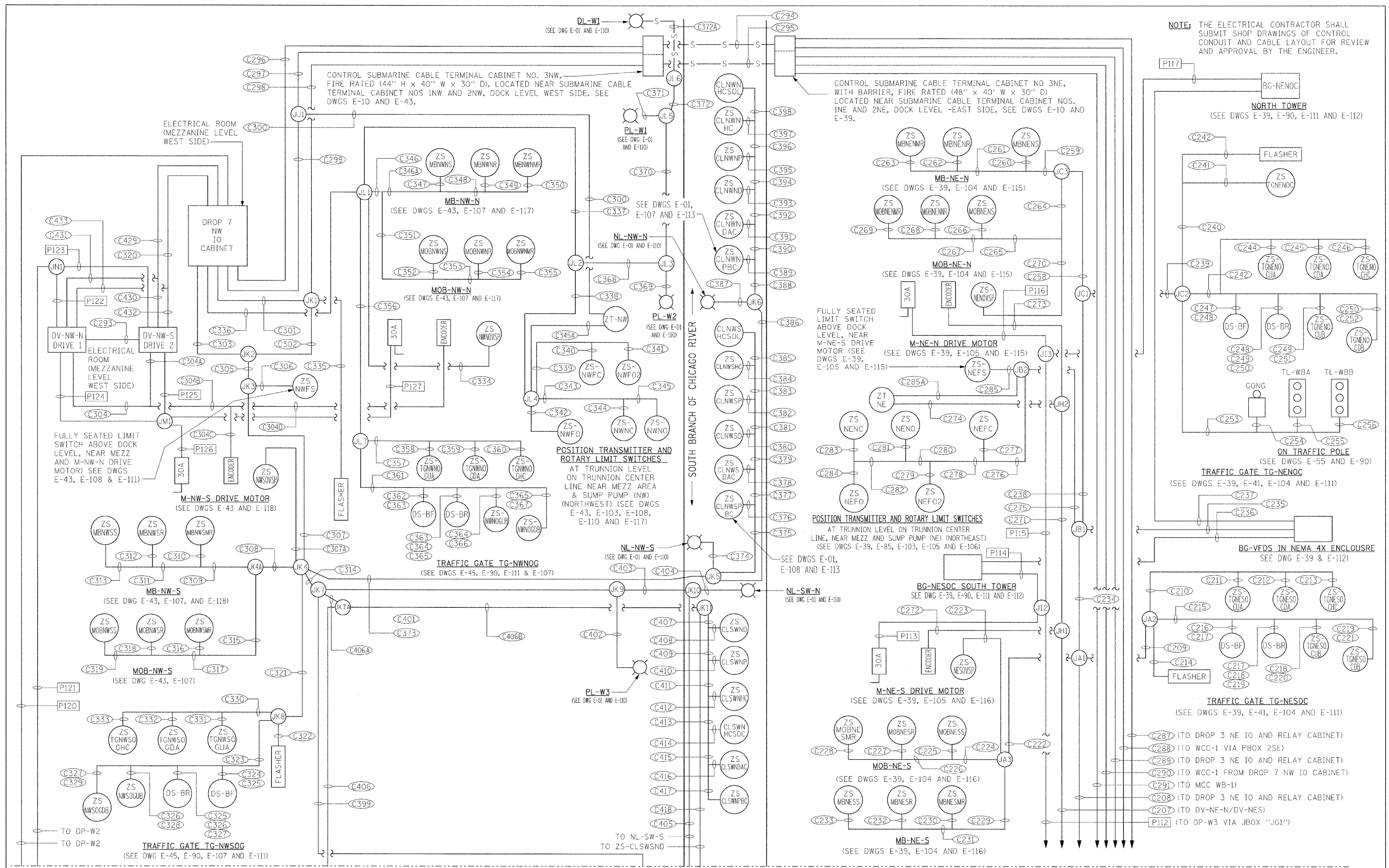


NOTE: THE ELECTRICAL CONTRACTOR SHALL SUBMIT SHOP DRAWINGS OF CONTROL CONDUIT AND CABLE LAYOUT FOR REVIEW AND APPROVAL BY THE ENGINEER.



MATCHLINE - SEE DWG E-119

PB Americas, Inc.
 230 WEST MONROE STREET,
 SUITE 900
 CHICAGO, IL. 60606

USER NAME = sherna	DESIGNED - B. CROUTHAMEL	REVISED -
FILE NAME = D168061-shr-elc-120.dgn	DRAWN - S. SHARMA	REVISED -
PLOT SCALE = NONE	CHECKED - S. STERN	REVISED -
PLOT DATE = 5/7/2009	DATE - MAY 8, 2009	REVISED -

STATE OF ILLINOIS
DEPARTMENT OF TRANSPORTATION

BRIDGE CONTROL WIRING BLOCK DIAGRAM
SHEET 2
 SCALE: AS SHOWN SHEET NO. E-120 OF E-125 SHEETS STA. 379+06.09 TO STA. 382+45.28

F.A.P. RTE.	SECTION	COUNTY	TOTAL SHEETS	SHEET NO.
389	2424-2B-R	COOK	398	391
			CONTRACT NO. 60D61	
FED. ROAD DIST. NO. 1 ILLINOIS FED. AID PROJECT				