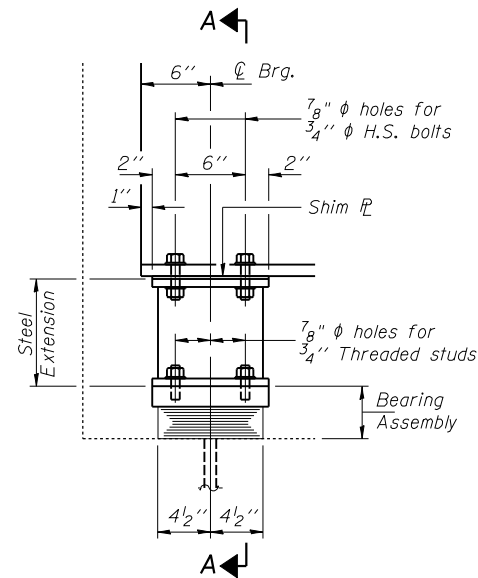


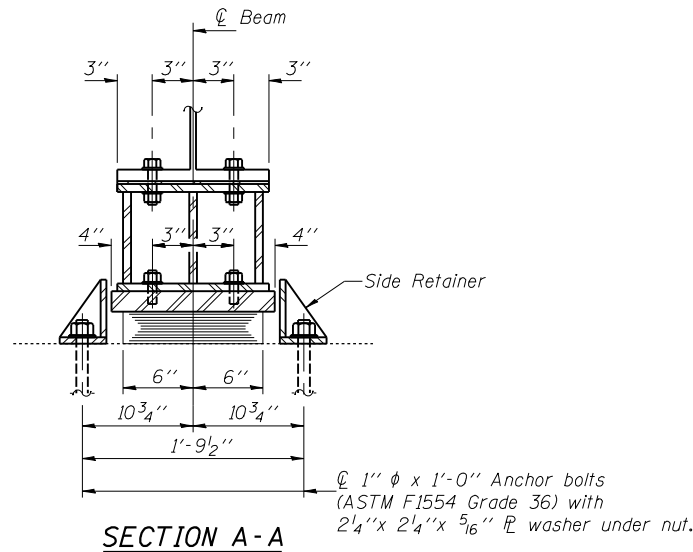
STATE OF ILLINOIS
DEPARTMENT OF TRANSPORTATION

ROUTE NO.	SECTION	COUNTY	TOTAL SHEETS	SHEET NO.	SHEET NO. 14 23 SHEETS
FAI 74	(57-22) BR-2	McLEAN	42	25	
FED. ROAD DIST. NO. 7	ILLINOIS	FED. AID PROJECT-			

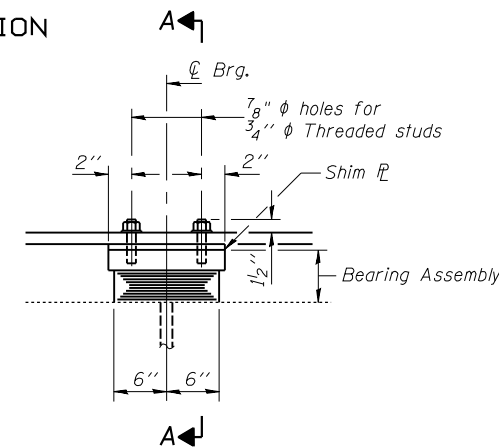
Contract No. 70671



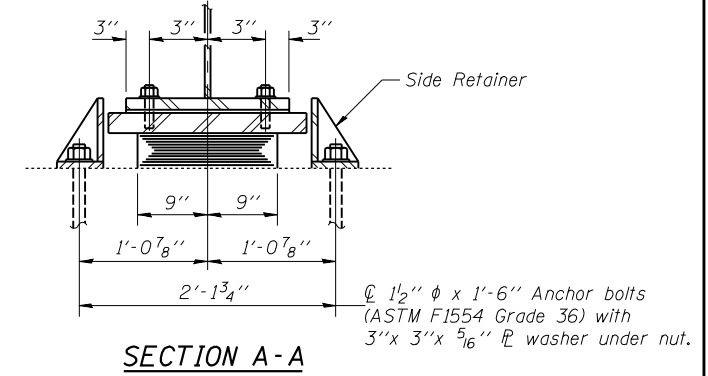
ELEVATION AT WEST ABUT.



SECTION A-A



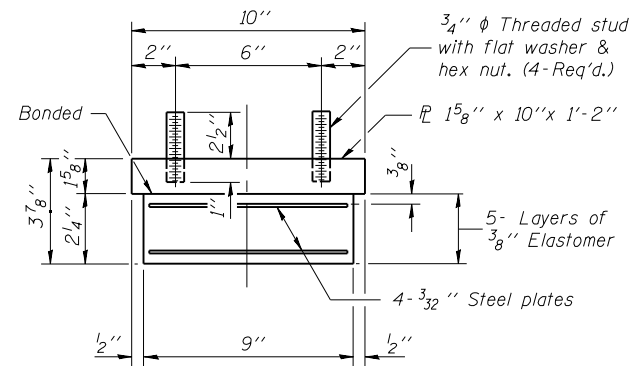
ELEVATION AT PIER 2



SECTION A-A

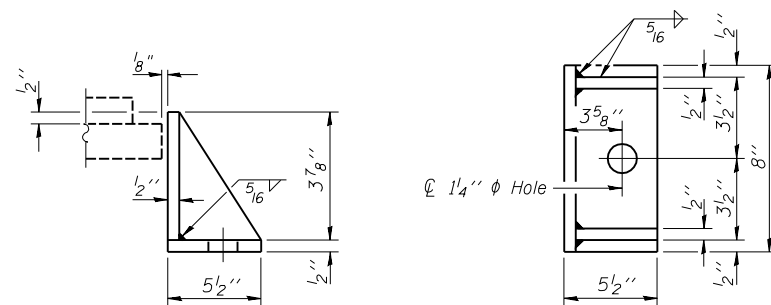
TYPE I ELASTOMERIC EXP. BRG.

TYPE I ELASTOMERIC EXP. BRG.



BEARING ASSEMBLY

Note: Shim plates shall not be placed under Bearing Assembly.

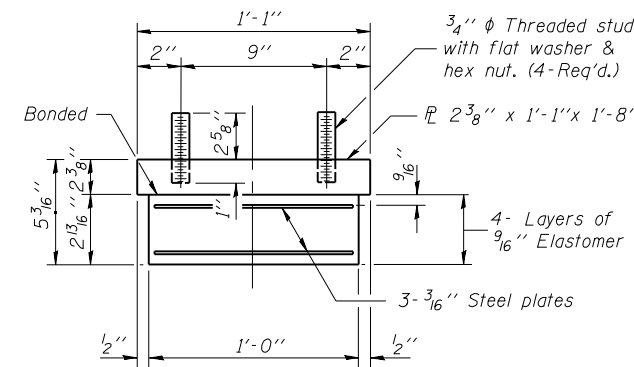


SIDE RETAINER

Equivalent rolled angle with stiffeners will be allowed in lieu of welded plates.

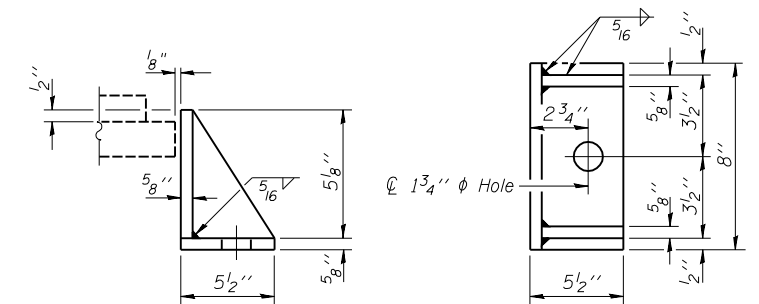
TABLE OF SHIM PLATES

	W. Abut.	Pier 1	Pier 2	E. Abut.
Beam 1	3/8"	1/8"	0"	1/2"
Beam 2	1/8"	1/4"	0"	1/4"
Beam 3	0"	0"	0"	1/8"
Beam 4	1/8"	1/8"	0"	0"
Beam 5	1/4"	3/8"	0"	3/8"
Beam 6	3/8"	0"	0"	1/2"



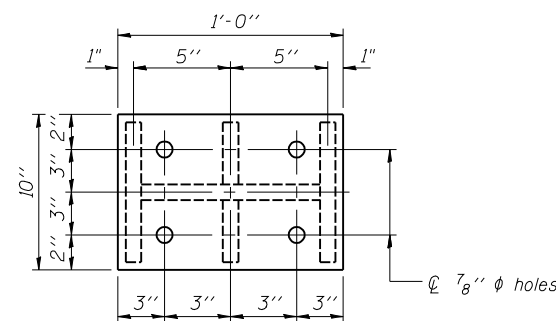
BEARING ASSEMBLY

Note: Shim plates shall not be placed under Bearing Assembly.

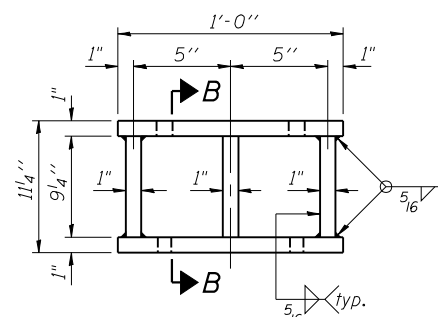


SIDE RETAINER

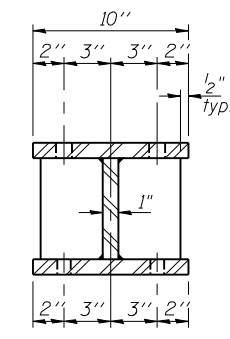
Equivalent rolled angle with stiffeners will be allowed in lieu of welded plates.



PLAN TOP AND BOTTOM PLATE



STEEL EXTENSION DETAIL



SECTION B-B

Notes:
Anchor bolts shall be ASTM F1554 all-thread (or an Engineer-approved alternate material) of the grade(s) and diameter(s) specified. ASTM A307 Grade C anchor bolts may be used in lieu of ASTM F1554 Grade 36 (Fy=36ksi). The corresponding specified grade of AASHTO M314 anchor bolts may be used in lieu of ASTM F1554.

Drilled and set anchor bolts shall be installed according to Article 521.06 of the Standard Specifications. Installation of side retainers shall be included in the cost of Erecting Elastomeric Bearing Assembly, Type I.

The structural steel plates of the Bearing Assembly shall conform to the requirements of AASHTO M 270 Grade 50. Anchor bolts and plate washers will be furnished and installed under this contract.

The structural steel plates of the Bearing Assembly shall conform to the requirements of AASHTO M 270 Grade 50.

Two 1/8 in. adjusting shims shall be provided by others for each bearing in addition to all other plates or shims and placed as shown on bearing details.

BILL OF MATERIAL

Item	Unit	Total
Erecting Elastomeric Bearing Assembly Type I	Each	12
Anchor Bolt 1" φ	Each	12
Anchor Bolt 1 1/2" φ	Each	12

BEARING DETAILS

F.A.I. RT. 74 - SEC. (57-22)BR-2

McLEAN COUNTY

STATION 1039+00

STRUCTURE NO. 057-0126 (W.B.)

DESIGNED	DHC
CHECKED	CCC
DRAWN	h.t. duong
CHECKED	DHC/CCC

Aug. 2, 2007
EXAMINED *Thomas J. Demagala*
ENGINEER OF BRIDGE DESIGN
PASSED *Ralph E. Anderson*
ENGINEER OF BRIDGES AND STRUCTURES