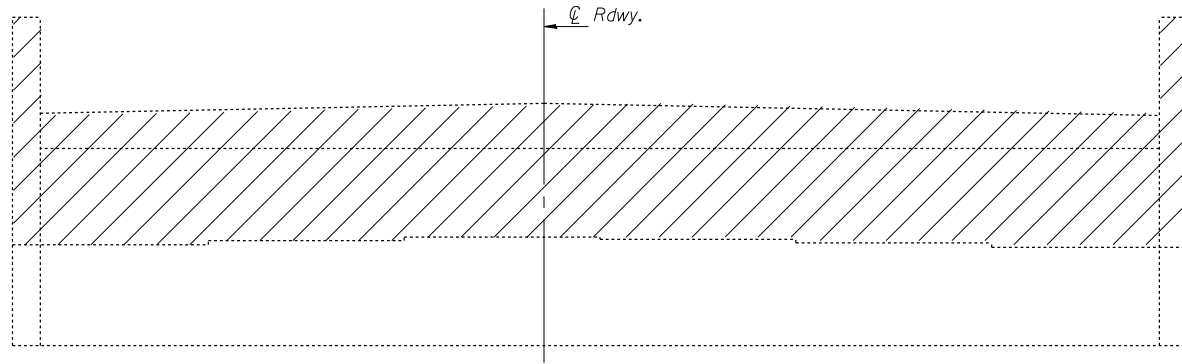


STATE OF ILLINOIS
DEPARTMENT OF TRANSPORTATION

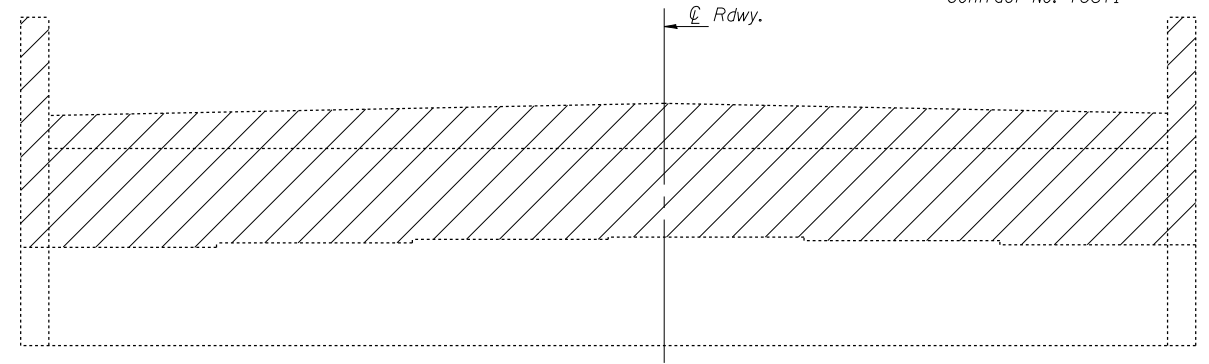
ROUTE NO.	SECTION	COUNTY	TOTAL SHEETS	SHEET NO.
FAI 74	(57-22) BR-2	McLEAN	42	28
FED. ROAD DIST. NO. 7		ILLINOIS	FED. AID PROJECT	

SHEET NO. 17
23 SHEETS

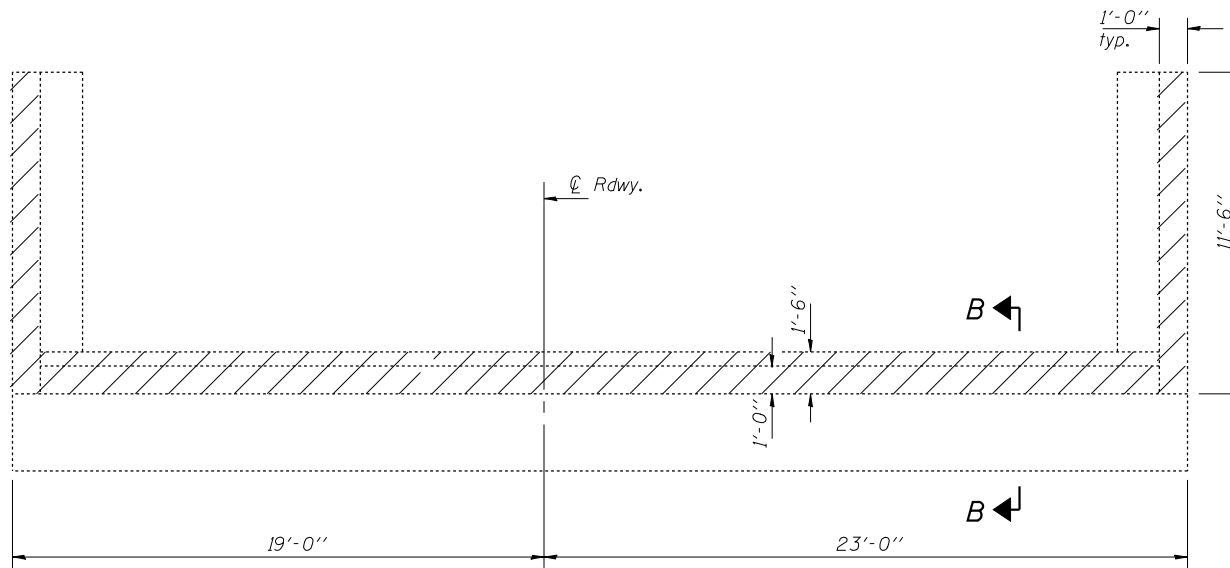
Contract No. 70671



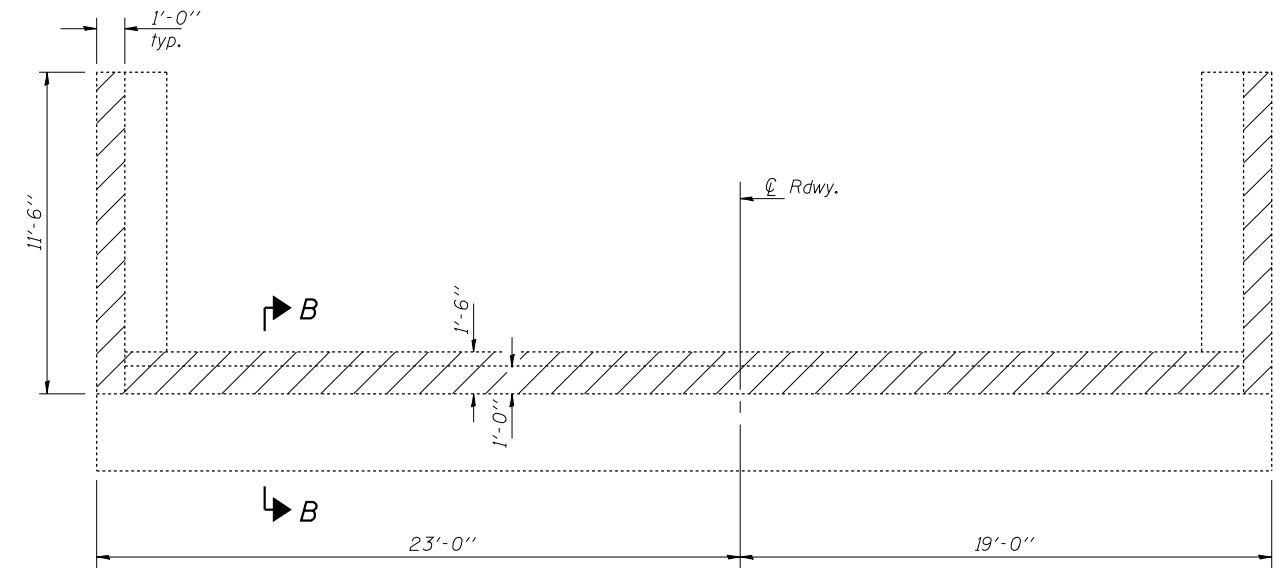
ELEVATION - WEST ABUT. (W.B.)



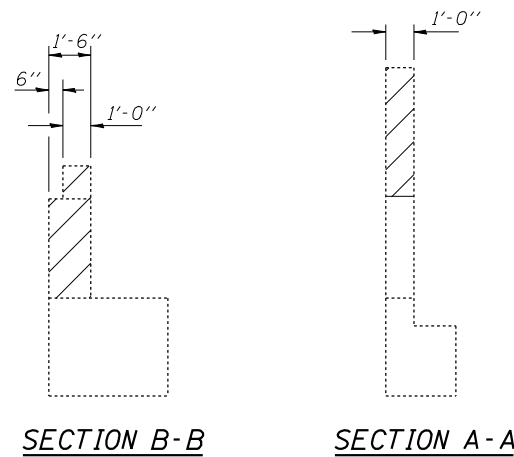
ELEVATION - EAST ABUT. (W.B.)



PLAN - WEST ABUT. (W.B.)

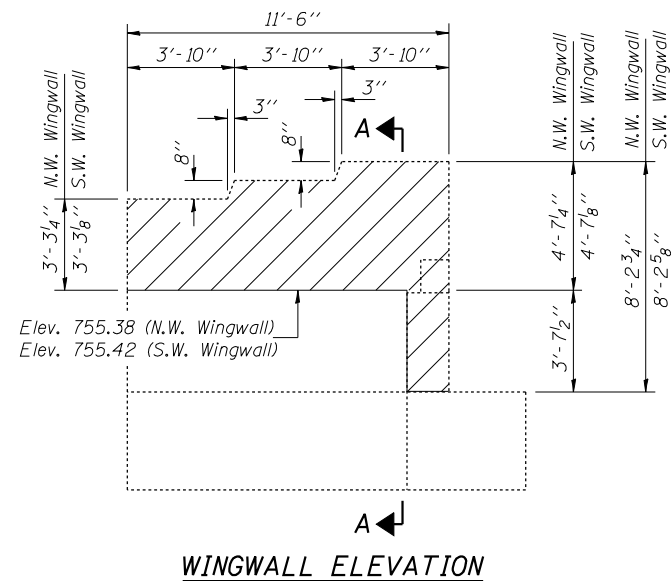


PLAN - EAST ABUT. (W.B.)

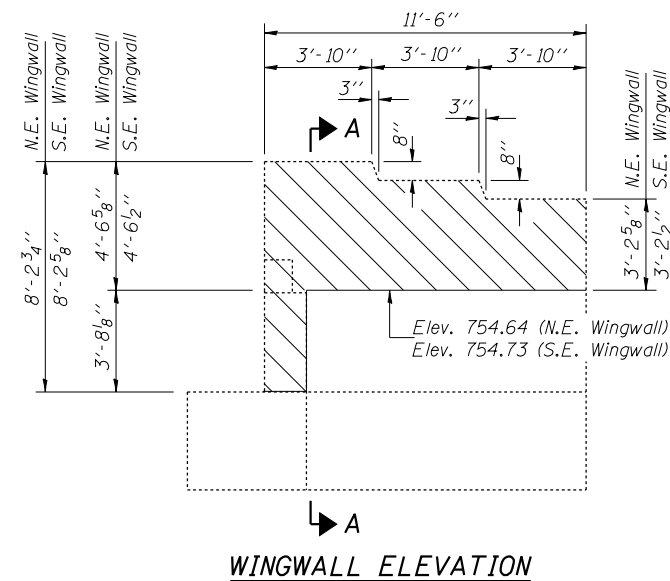


SECTION B-B

SECTION A-A



WINGWALL ELEVATION



WINGWALL ELEVATION

- Notes:
- Hatched area indicates Concrete Removal.
 - Existing reinforcement bars extending into areas of new construction shall be cleaned, straightened and incorporated into the new construction.
 - The existing anchor bolts shall be cut off, ground flush and sealed with epoxy. Cost included with Concrete Removal.

**TWO ABUTMENTS
BILL OF MATERIAL**

Item	Unit	Total
Concrete Removal	Cu. Yd.	24.3

CONCRETE REMOVAL
F.A.I. RT. 74 - SEC. (57-22)BR-2
McLEAN COUNTY
STATION 1039+00
STRUCTURE NO. 057-0126 (W.B.)

DESIGNED	DHC
CHECKED	CCC
DRAWN	h.t. duong
CHECKED	DHC/CCC

Aug. 2, 2007
EXAMINED *Thomas J. Demagala*
ENGINEER OF BRIDGE DESIGN
PASSED *Ralph E. Anderson*
ENGINEER OF BRIDGES AND STRUCTURES