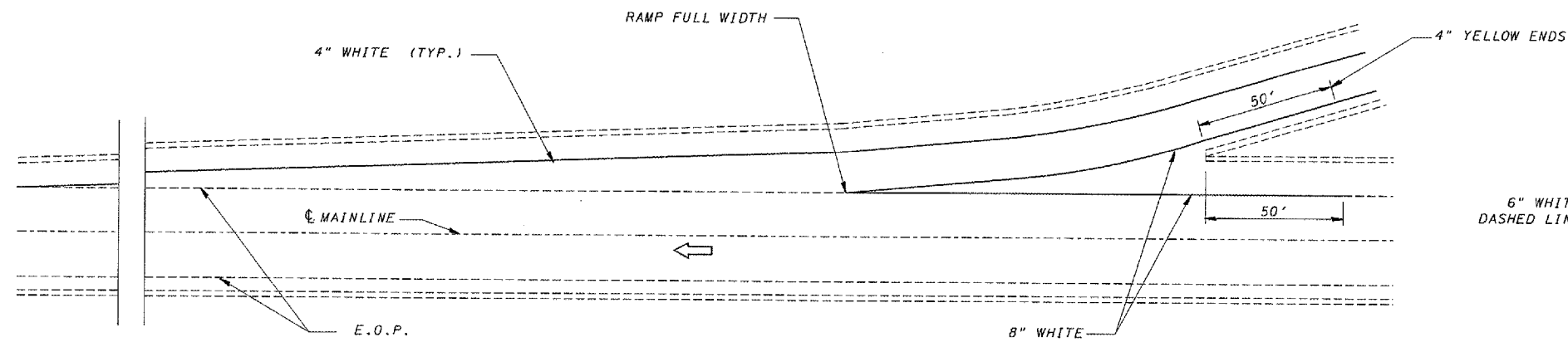
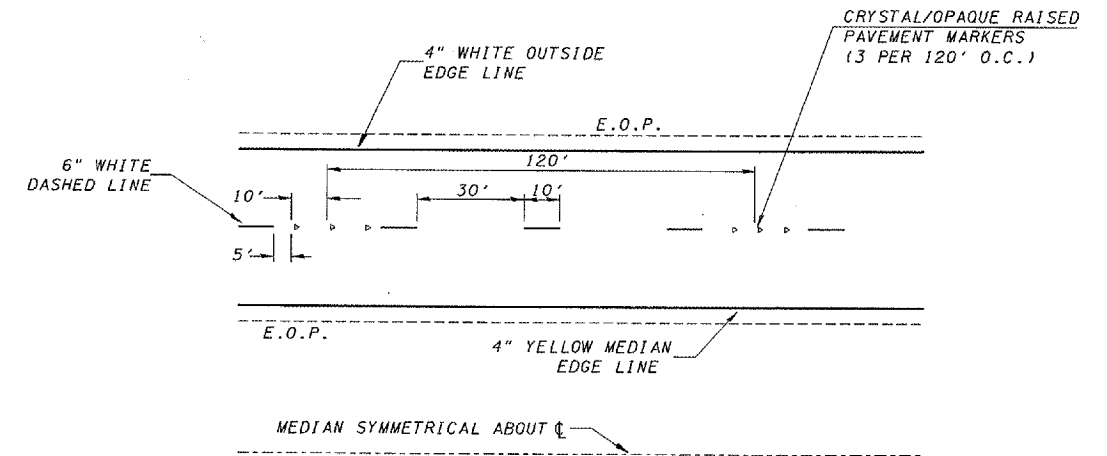


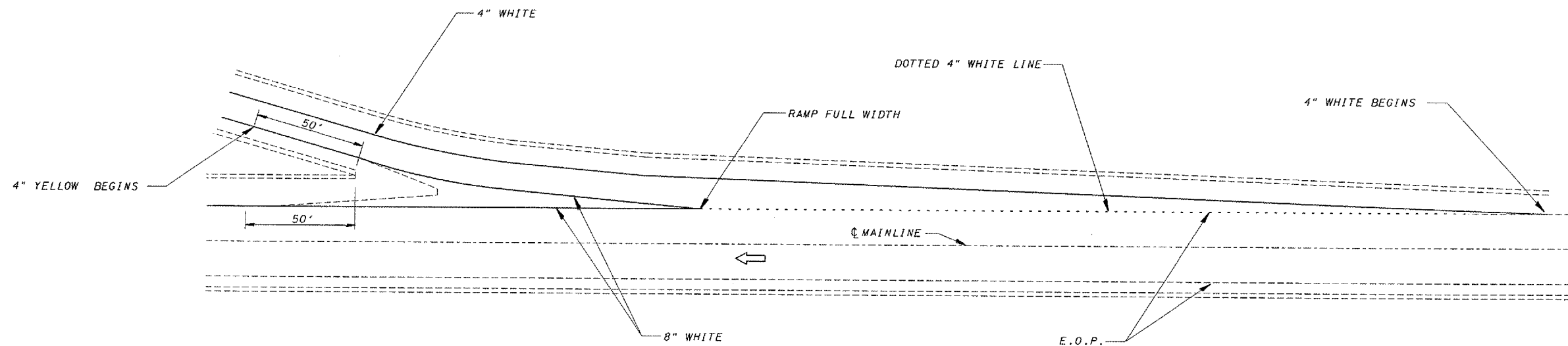
CONTRACT NO. 70671				
F.A.I. RTE.	SECTION	COUNTY	TOTAL SHEETS	SHEET NO.
74	(67-22)BR-2	MCLEAN	42	40



TYPICAL PAVEMENT MARKING FOR ENTRANCE RAMP TERMINALS



TYPICAL PAVEMENT MARKINGS



TYPICAL PAVEMENT MARKINGS FOR EXIT RAMP TERMINALS

Note: All dimensions are in INCHES (millimeters) unless otherwise shown.

DATE	REVISIONS	NAME
11/06	CREATED FROM D4 DETAILS	TJB

ILLINOIS DEPARTMENT OF TRANSPORTATION
**PAVEMENT MARKING
(MCLEAN COUNTY "SPOT"
IMPROVEMENTS ONLY)**
DISTRICT 5 DETAIL NO. 7800CCC

DESIGNER NOTE:

PLOT DATE = 9/2/2007
FILE NAME = c:\p\0\mets\ad950107.m\176671.dwg
PLOT SCALE = 21.765 / IN.
USER NAME = coltman