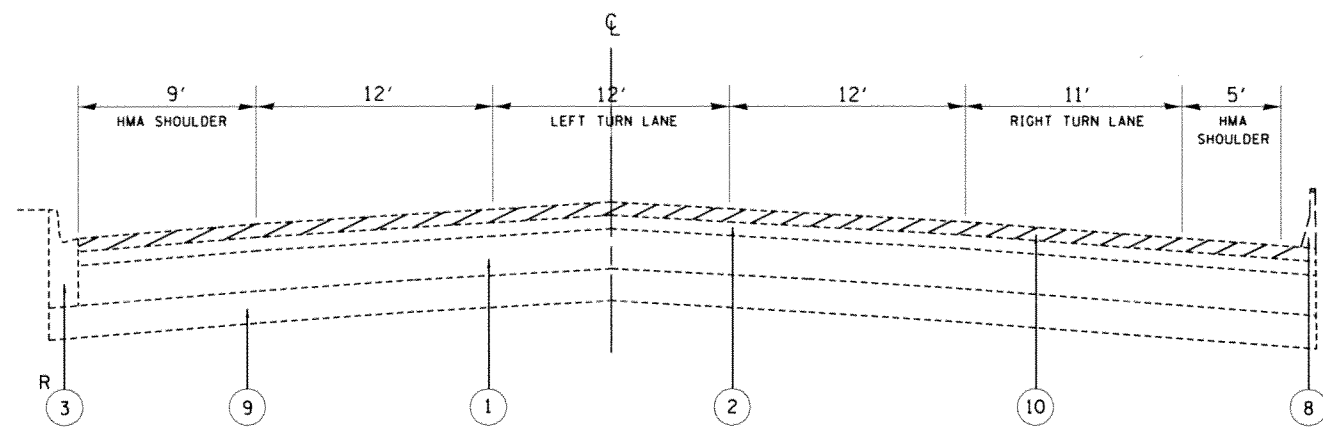
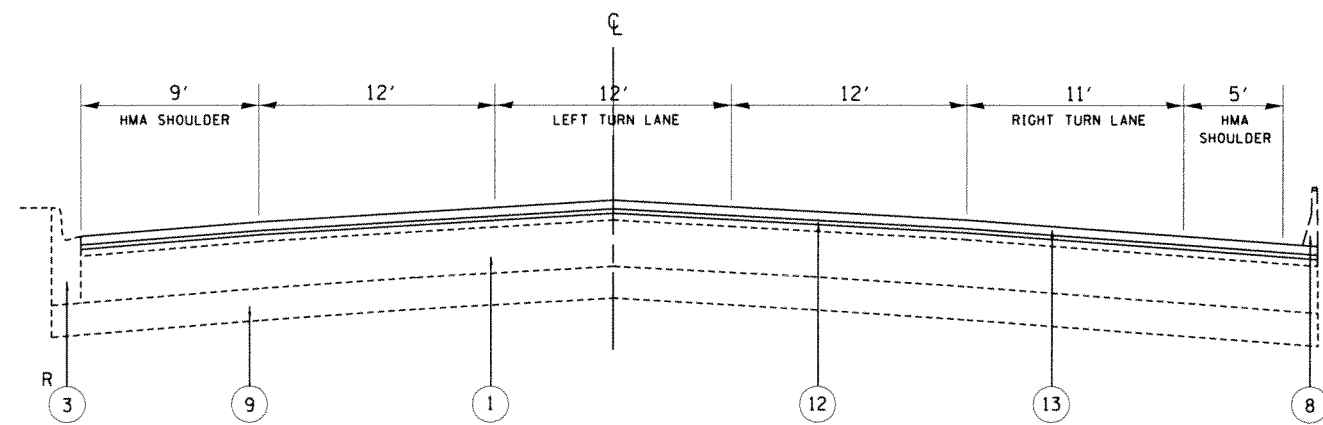


IL 68 (DUNDEE ROAD)



EXISTING TYPICAL SECTION
STA. 437+05 TO STA. 441+25.3

IL 68 (DUNDEE ROAD)



PROPOSED TYPICAL SECTION
STA. 437+05 TO STA. 441+25.3

LEGEND:

- ① EXISTING P.C.C. PAVEMENT ±8"
- ② EXISTING HOT-MIX ASPHALT SURFACE ±9" (AFTER MILLING)
- ③ EXISTING COMBINATION OF CURB & GUTTER TYPE B-6.12
- ④ EXISTING COMBINATION OF CURB & GUTTER TYPE B-6.24
- ⑤ EXISTING CORRUGATED MEDIAN
- ⑥ EXISTING BARRIER MEDIAN
- ⑦ EXISTING AGGREGATE SHOULDER
- ⑧ EXISTING CONCRETE BARRIER WALL
- ⑨ EXISTING STABILIZED SUB-BASE
- ⑩ PROPOSED HOT-MIX ASPHALT SURFACE REMOVAL 2 1/4"
- ⑪ PROPOSED HOT-MIX ASPHALT SURFACE REMOVAL 2 3/4"
- ⑫ PROPOSED POLYMERIZED LEVELING BINDER (MACHINE METHOD), IL- 4.75, N50, 3/4"
- ⑬ PROPOSED HOT-MIX ASPHALT SURFACE COURSE, MIX "D", N70 1 1/2"
- ⑭ PROPOSED POLYMERIZED HOT MIX ASPHALT SURFACE COURSE, SMA, N80, 2"
- ⑮ PROPOSED GRADING AND SHAPING SHOULDERS
- ⑯ PROPOSED AGGREGATE WEDGE SHOULDERS, TYPE B
- R CURB AND GUTTER REMOVAL AND REPLACEMENT
(AS DIRECTED BY THE ENGINEER)

FILE NAME =	USER NAME = steedpa	DESIGNED -	REVISED -
c:\pw_work\pwidot\steedpa\d0293334\0127	12-shr-plan.dgn	DRAWN -	REVISED -
	PLOT SCALE = 100.0000' / in.	CHECKED -	REVISED -
	PLOT DATE = 6/13/2014	DATE -	REVISED -

STATE OF ILLINOIS
DEPARTMENT OF TRANSPORTATION

EXISTING AND PROPOSED TYPICAL SECTIONS			
F.A.P. 343/ IL 68 (DUNDEE RD.)-IL 59 (HAWTHORNE RD.) TO US 12			
SCALE:	SHEET NO.	OF SHEETS	STA. TO STA.

F.A.P. RTE.	SECTION	COUNTY	TOTAL SHEETS	SHEET NO.
343	(70 & 3045) RS-2	COOK	57	9
CONTRACT NO. 60T02				
ILLINOIS FED. AID PROJECT				