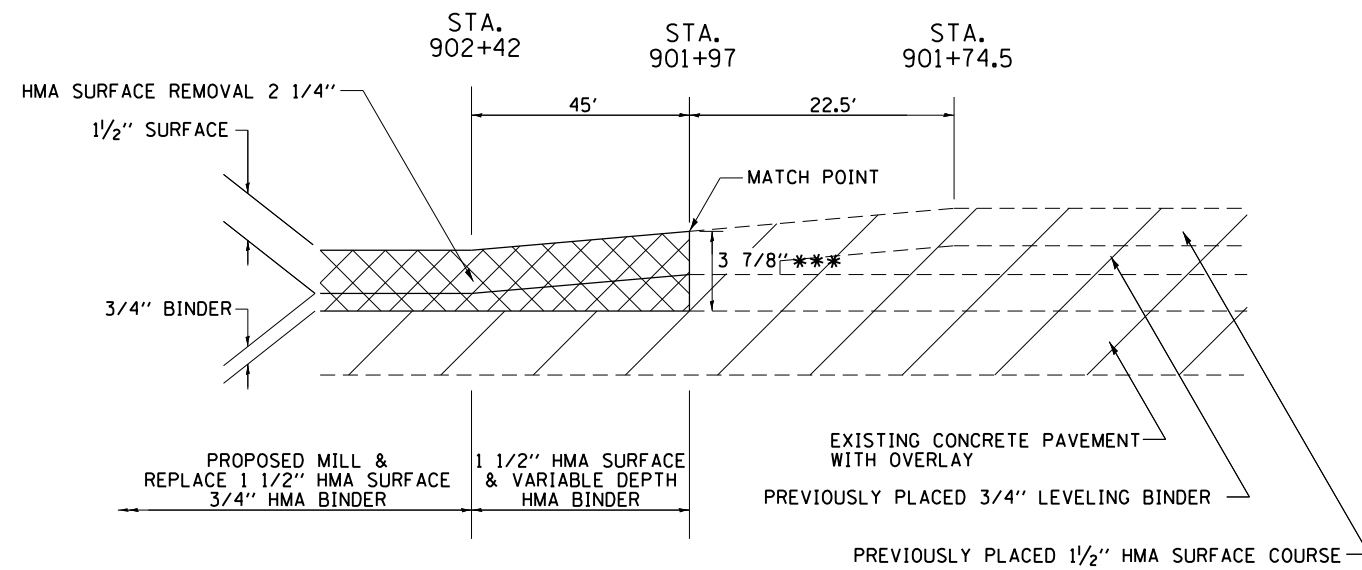


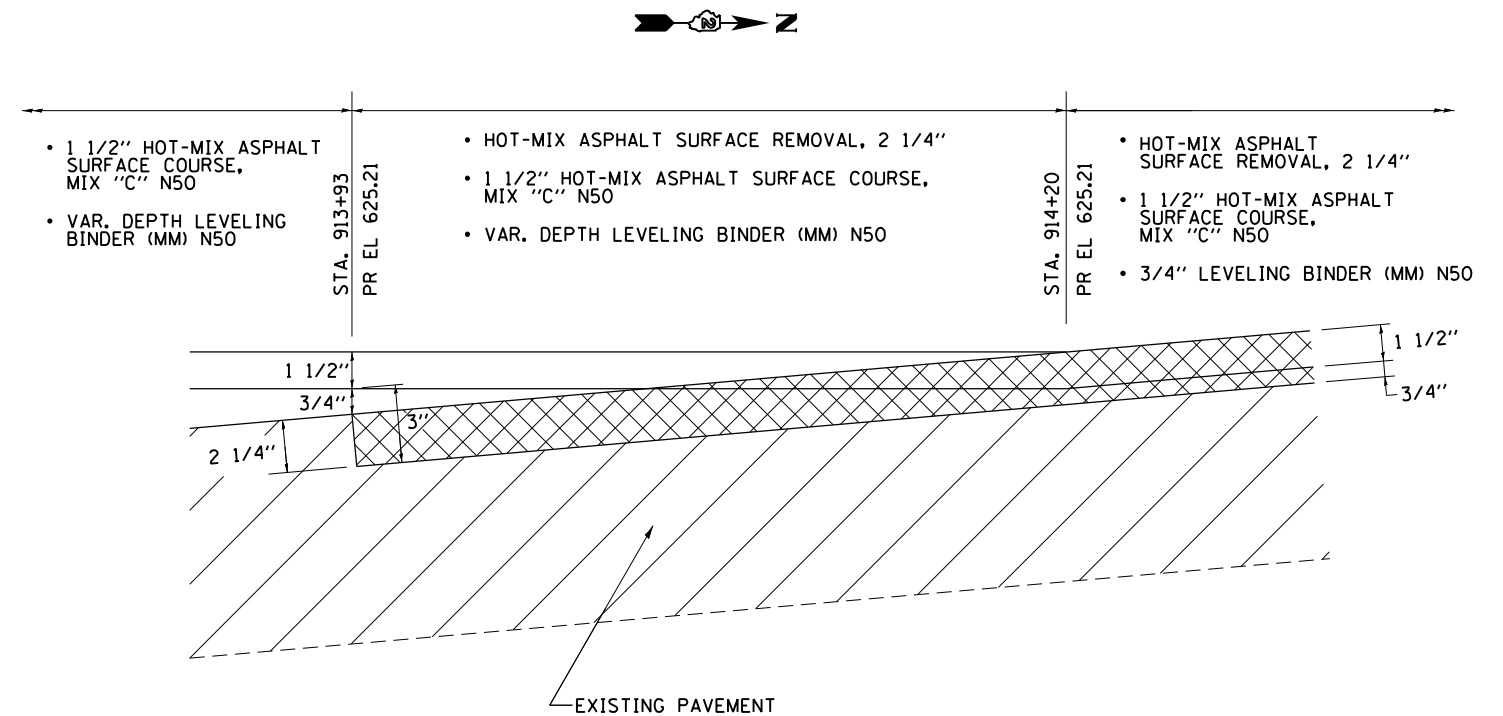
TYPICAL SECTIONS

TYPICAL TAPER

IL ROUTE 78
MATCH TO PREVIOUSLY COMPLETED
PROJECTS BUTT-JOINT (DETAIL)





DETAIL FOR NORTH END TRANSITION



NOTES

- * 112 LB/SQ YD IN
- ** REMOVAL INCLUDED IN THE COST FOR EARTH EXCAVATION
- *** THE EXTRA THICKNESS OF REMOVAL SHALL BE INCLUDED IN THE COST OF HMA SURFACE REMOVAL 2 1/4" (STA 901+97 - 902+42)

LEGEND

-  EXISTING
-  REMOVAL

FILE NAME =	USER NAME = Fasslermj	DESIGNED -	REVISED -	STATE OF ILLINOIS DEPARTMENT OF TRANSPORTATION	TYPICAL SECTIONS	F.A.P. RTE.	SECTION	COUNTY	TOTAL SHEETS	SHEET NO.
ca:\pwork\pwork\pwork\fasslermj\0149594\0208209-shit-typical.dgn	DRAWN -	REVISED -	22			15BR-1	WHITESIDE	146	14	
PLOT SCALE = 100.0000' / 1in.	CHECKED -	REVISED -	CONTRACT NO. 64F19							
PLOT DATE = Fri Jun 13 08:45:19 2014	DATE -	REVISED -	FED. ROAD DIST. NO. - ILLINOIS FED. AID PROJECT							