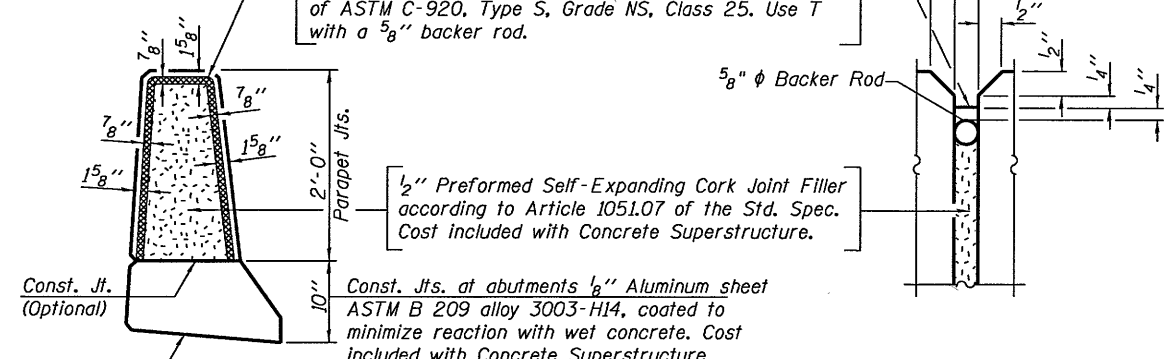


**INSIDE ELEVATION OF PARAPET**  
 All dimensions measured along front face of parapet  
 \* Railing expansion joint, See sheet S-14.

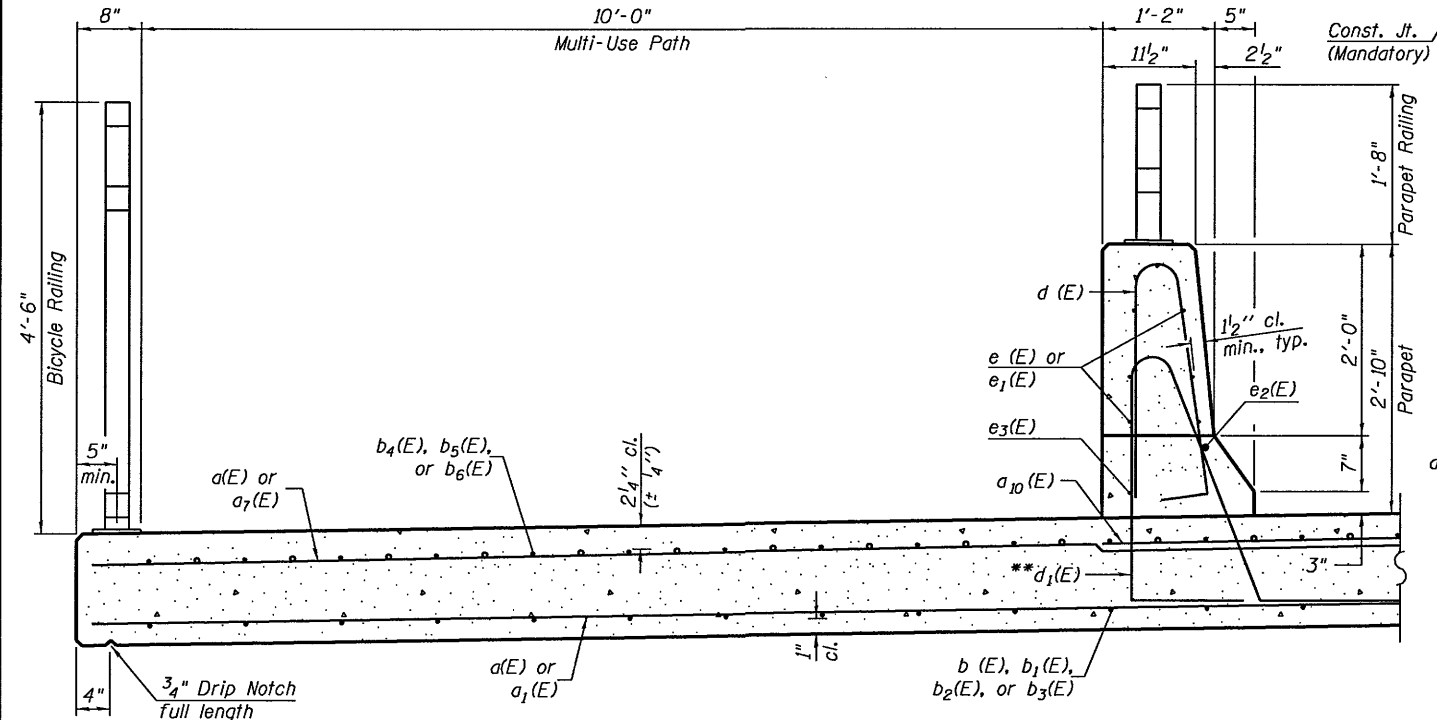
**MINIMUM BAR LAP**  
 (Parapet)  
 #4 bar = 2'-0"  
 #8 bar = 5'-2"

Non-staining gray one component non-sag elastomeric gun grade polyurethane sealant meeting the requirements of ASTM C-920, Type S, Grade NS, Class 25. Use T with a 5/8" backer rod.



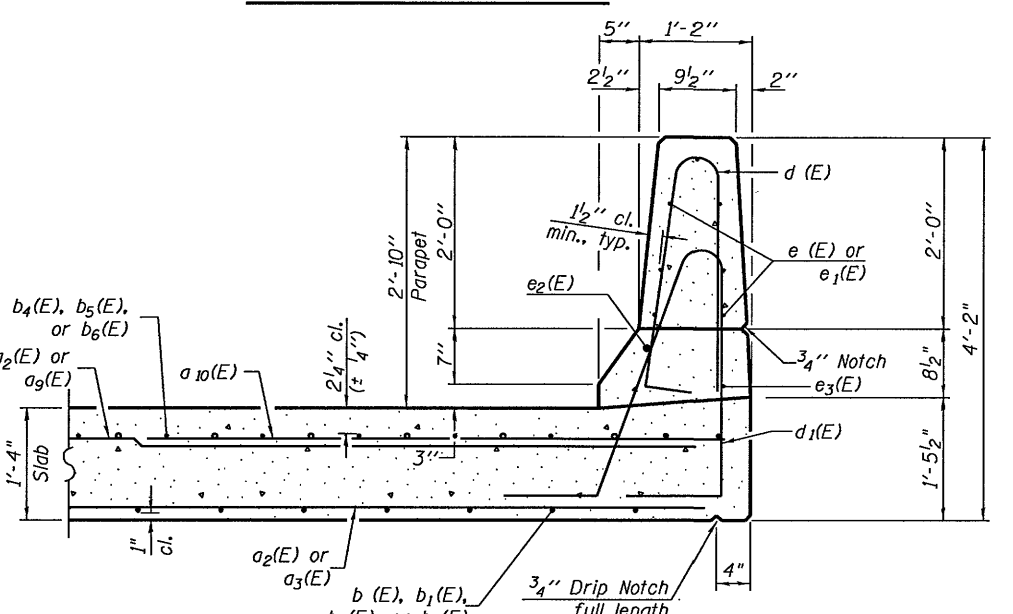
**FIELD CUTTING DIAGRAM**

Order a1(E), a3(E), a7(E), & a9(E) full length. Cut as shown and use remainder of bars in opposite end.



**SECTION THRU MULTI-USE PATH**  
 \*\* See Sheet S-10 for Alternate Parapet Reinforcement for Interior 34" F Shape Parapet detail.

**PARAPET JOINT DETAILS**



**SECTION THRU PARAPET**

**SUPERSTRUCTURE BILL OF MATERIAL**

Bar	No.	Size	Length	Shape
a(E)	150	#5	27'-9"	—
a1(E)	7	#5	28'-4"	—
a2(E)	150	#5	25'-4"	—
a3(E)	6	#5	26'-11"	—
a4(E)	14	#5	28'-8"	—
a5(E)	14	#5	26'-3"	—
a6(E)	5	#5	28'-1"	—
a8(E)	4	#5	27'-4"	—
a9(E)	210	#5	6'-6"	—
b(E)	38	#9	44'-9"	—
b1(E)	36	#10	23'-0"	—
b2(E)	76	#9	33'-3"	—
b3(E)	72	#9	24'-1"	—
b4(E)	108	#9	17'-6"	—
b5(E)	108	#9	42'-0"	—
b6(E)	104	#9	15'-6"	—
d(E)	210	#5	5'-7"	—
d1(E)	210	#5	7'-11"	—
e(E)	60	#4	14'-5"	—
e1(E)	28	#4	18'-2"	—
e2(E)	6	#8	35'-7"	—
e3(E)	8	#4	25'-6"	—
s(E)	106	#4	7'-1"	—
s1(E)	106	#4	9'-4"	—
Concrete Superstructure			Cu. Yd.	292.3
Reinforcement Bars, Epoxy Coated			Pound	68,070

HR GREEN, INC.  
 KEVIN J. BREHM  
 ILLINOIS DEPARTMENT OF TRANSPORTATION  
 CHICAGO, ILLINOIS 60601  
 PHONE: (773) 399-5133  
 FAX: (773) 399-5134  
 WWW: HRGREEN.COM  
 PLOT DRIVER: PLOTDRIVER  
 PEN TABLE: PEN TABLE

HRGreen.com  
 Illinois Professional Design Firm  
 #184-001322

USER NAME =	DESIGNED - MGH	REVISED
PLOT SCALE =	CHECKED - KJB	REVISED
PLOT DATE =	DRAWN - WJH	REVISED
	CHECKED - KJB	REVISED

STATE OF ILLINOIS  
 DEPARTMENT OF TRANSPORTATION

SUPERSTRUCTURE BILL OF MATERIAL AND PARAPET DETAILS  
 STRUCTURE NO. 098-0118

F.A.P. RTE. = 22	SECTION = 15BR-1	COUNTY = WHITESIDE	TOTAL SHEETS = 146	SHEET NO. = 69
				CONTRACT NO. 64F19
ILLINOIS FED. AID PROJECT				

SHEET NO. S-11 OF S-23 SHEETS