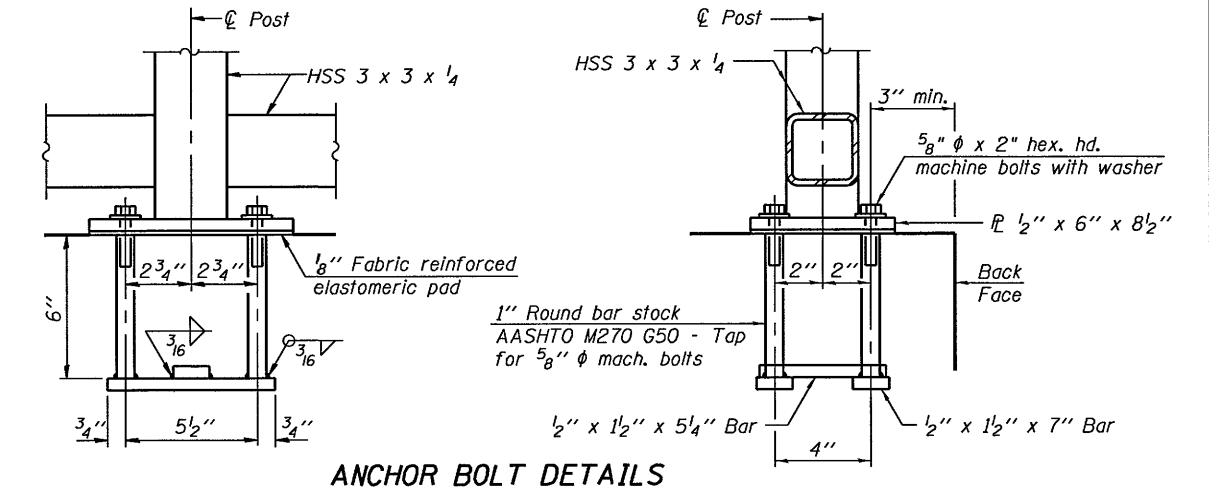
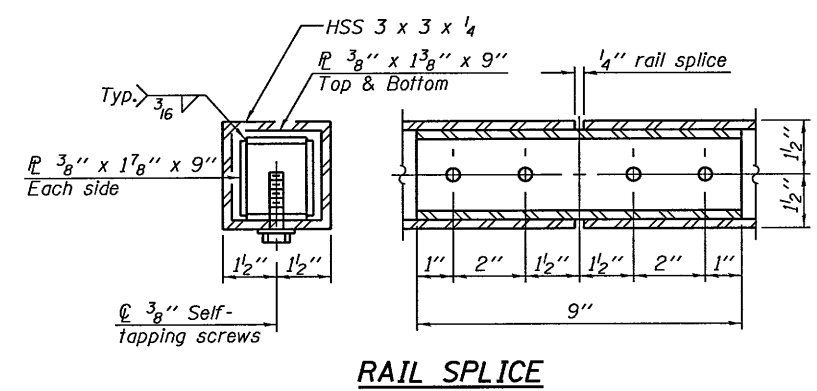
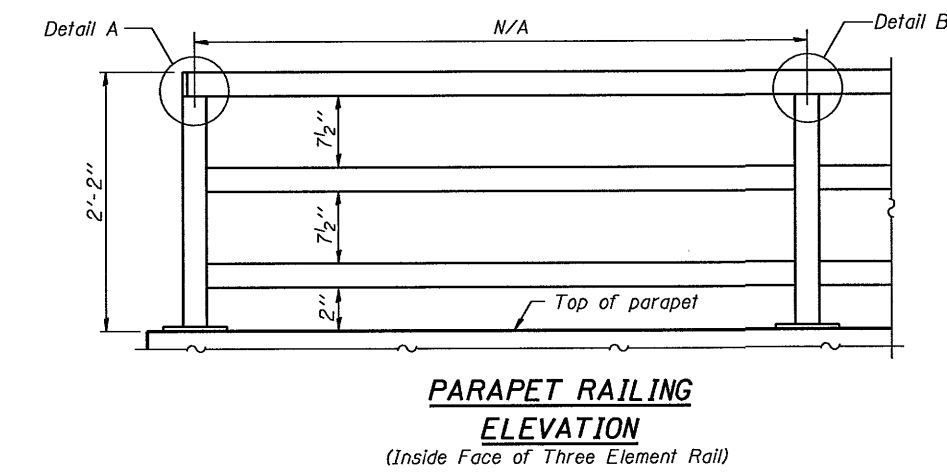
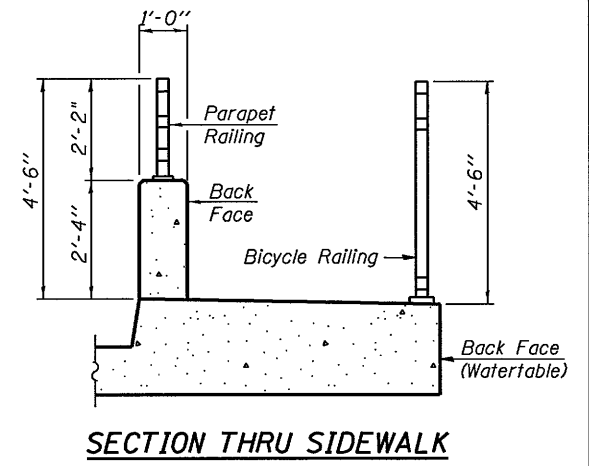
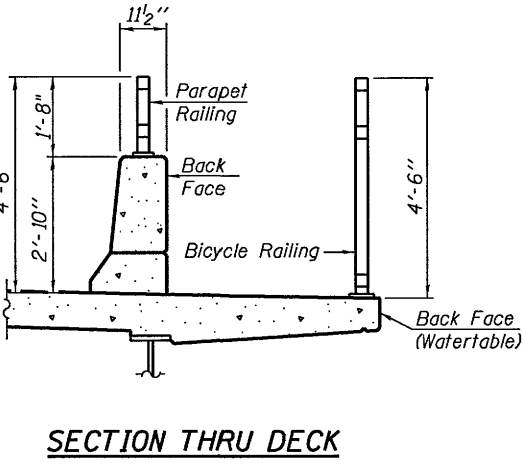
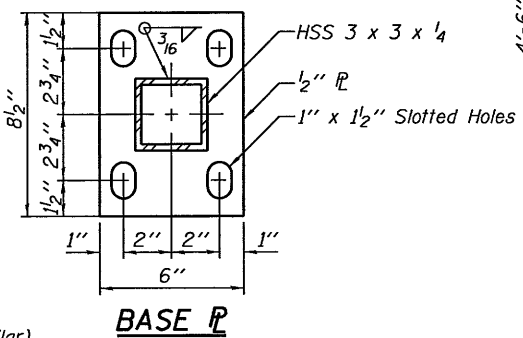
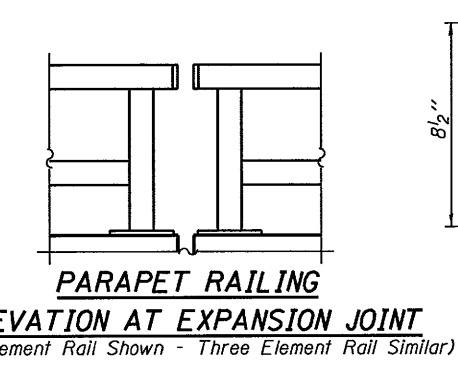
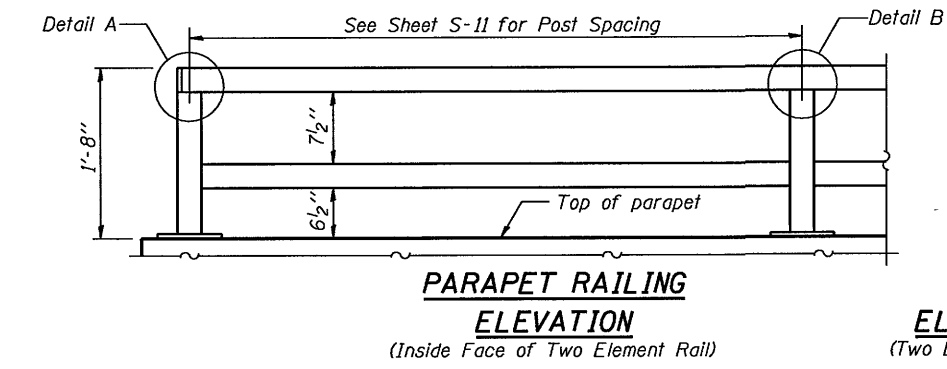


**NOTES**

All steel rail elements shall be galvanized according to Article 509.05 of the Standard Specifications.



In lieu of the cast-in-place anchor device shown, the Contractor has the option of drilling and setting 5/8" φ anchor rods according to Article 509.06 of the Standard Specifications. Embedment shall be according to the manufacturer's specifications.

**BILL OF MATERIAL**

Item	Unit	Quantity
Bicycle Railing	Foot	156
Parapet Railing	Foot	152

COMPANY NAME: HR GREEN, INC.  
 PROJECT CONTACT: HR GREEN, INC.  
 CLIENT: ILLINOIS DEPARTMENT OF TRANSPORTATION  
 DATE PLOTTED: 9/13/2012 3:24:41 PM  
 FILE NAME: 088018-64F19-014-S14-PRR.dgn  
 PLOT DRIVER: pdf\_bw\_no\_level.ctb  
 PEN TABLE: Illinois\_half.tbl

**R-29**

7-1-10

HRGreen.com  
 Illinois Professional Design Firm  
 # 184-001322

USER NAME =	DESIGNED - MGH	REVISED
PLOT SCALE =	CHECKED - KJB	REVISED
PLOT DATE =	DRAWN - WJH	REVISED
	CHECKED - KJB	REVISED

STATE OF ILLINOIS  
 DEPARTMENT OF TRANSPORTATION

PEDESTRIAN FENCING AND RAILING ON BARRIER  
 STRUCTURE NO. 098-0118  
 SHEET NO. S-14 OF S-23 SHEETS

F.A.P. RTE. 22	SECTION 15BR-1	COUNTY WHITESIDE	TOTAL SHEETS 146	SHEET NO. 72
				CONTRACT NO. 64F19
ILLINOIS FED. AID PROJECT				