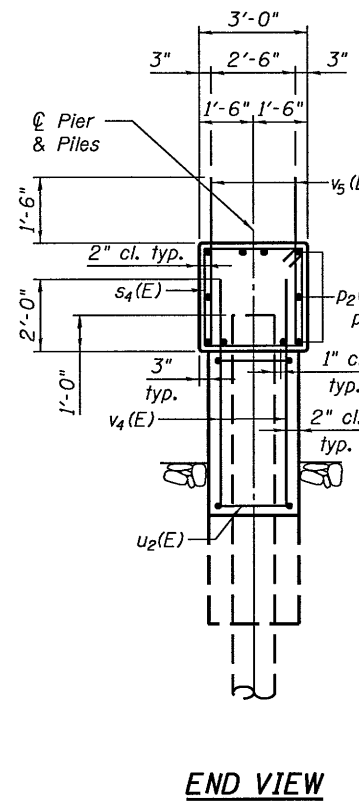
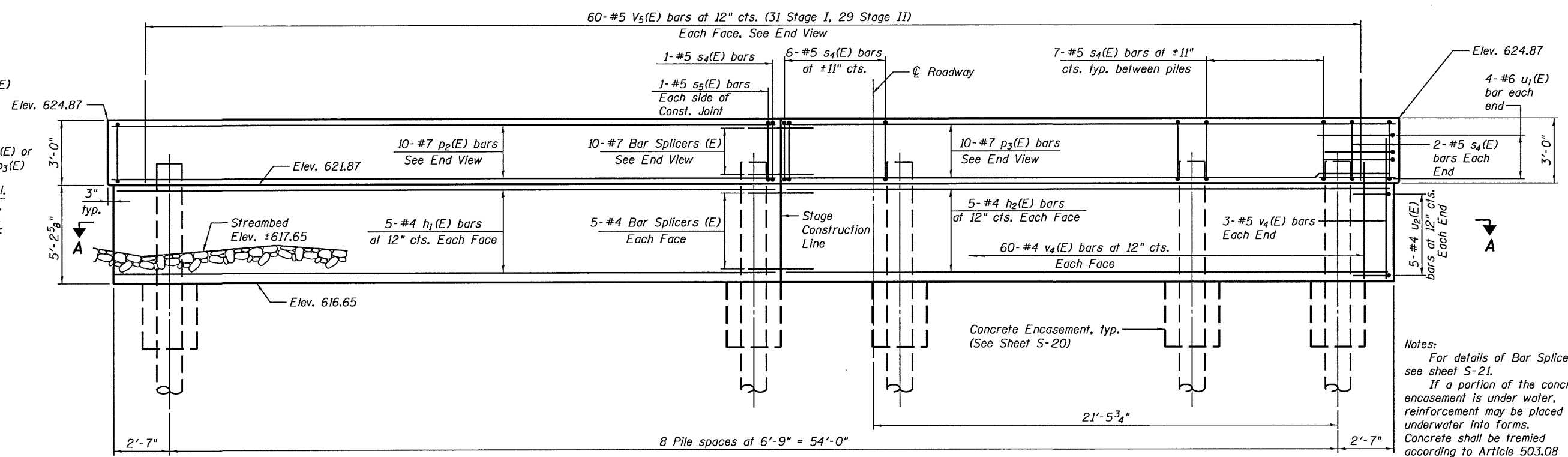


TOP PLAN

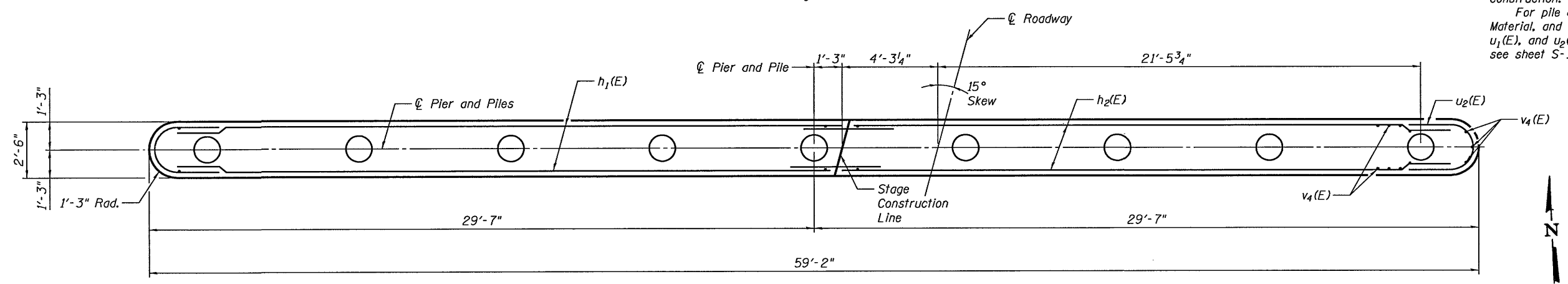


END VIEW



ELEVATION
(Looking North)

Notes:
For details of Bar Splicers see sheet S-21.
If a portion of the concrete encasement is under water, reinforcement may be placed underwater into forms. Concrete shall be tremied according to Article 503.08 of the Standard Specifications to an elevation of 1'-0" above the water line at the time of construction.
For pile data, Pier Bill of Material, and for s₄(E), s₅(E), u₁(E), and u₂(E) bar details, see sheet S-19.



SECTION A-A

COMPANY NAME: HR GREEN, INC.
PROJECT CONTACT: KEVIN J BREHM
CLIENT: ILLINOIS DEPARTMENT OF TRANSPORTATION
DATE PLOTTED: 9/13/2012 3:24:47 PM
FILE NAME: 098018-6-619-017-S1-Per-Legn
PLOT DRIVER: prt_dwg.plt
PEN TABLE: /imaps/pen.tbl



USER NAME =	DESIGNED - MGH	REVISED
	CHECKED - KJB	REVISED
PLOT SCALE =	DRAWN - WJH	REVISED
PLOT DATE =	CHECKED - KJB	REVISED

STATE OF ILLINOIS
DEPARTMENT OF TRANSPORTATION

PIER NO. 1 DETAILS
STRUCTURE NO. 098-0118

SHEET NO. S-17 OF S-23 SHEETS

F.A.P. RTE. 22	SECTION 15BR-1	COUNTY WHITESIDE	TOTAL SHEETS 146	SHEET NO. 75
CONTRACT NO. 64F19				
ILLINOIS FED. AID PROJECT				