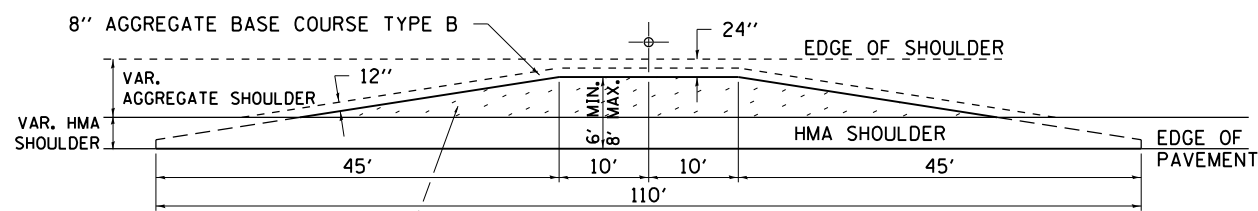
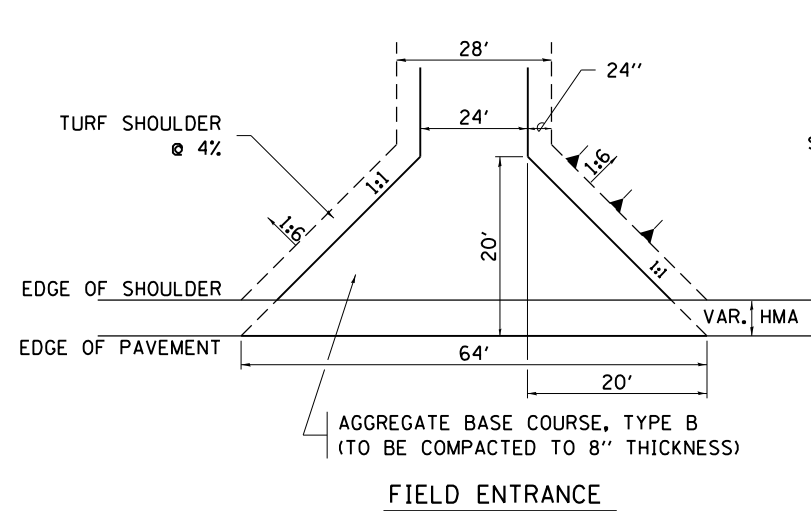


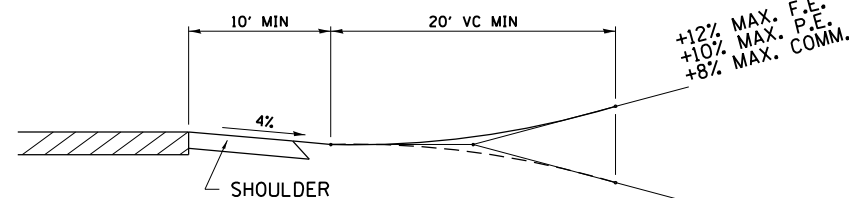
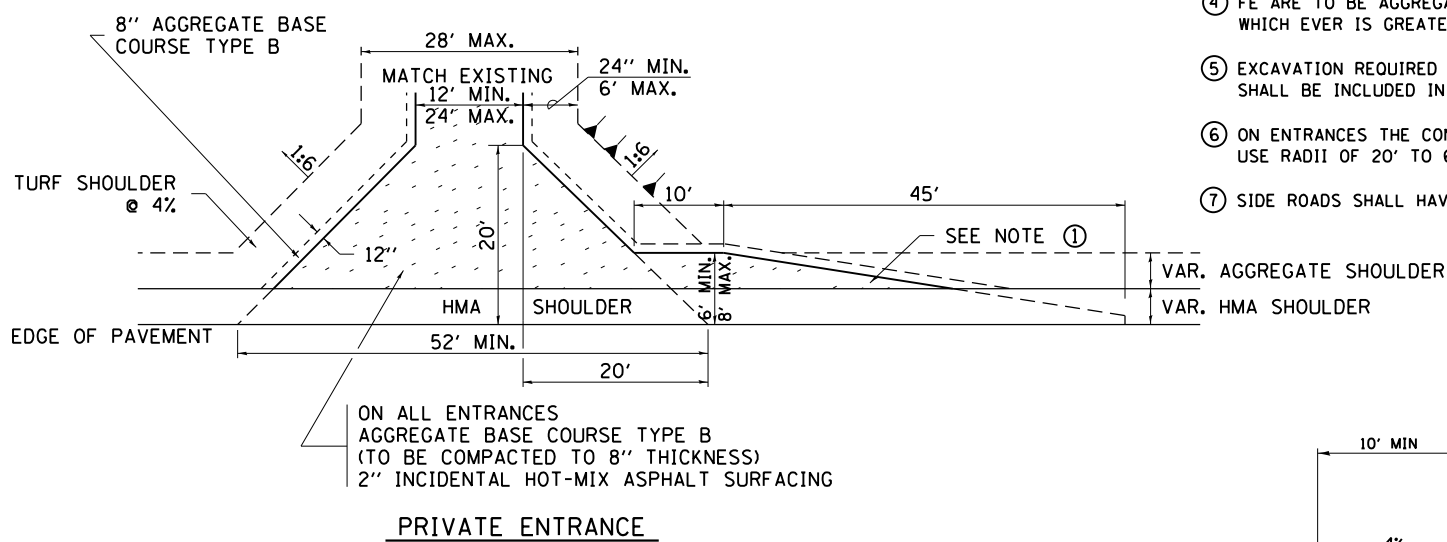
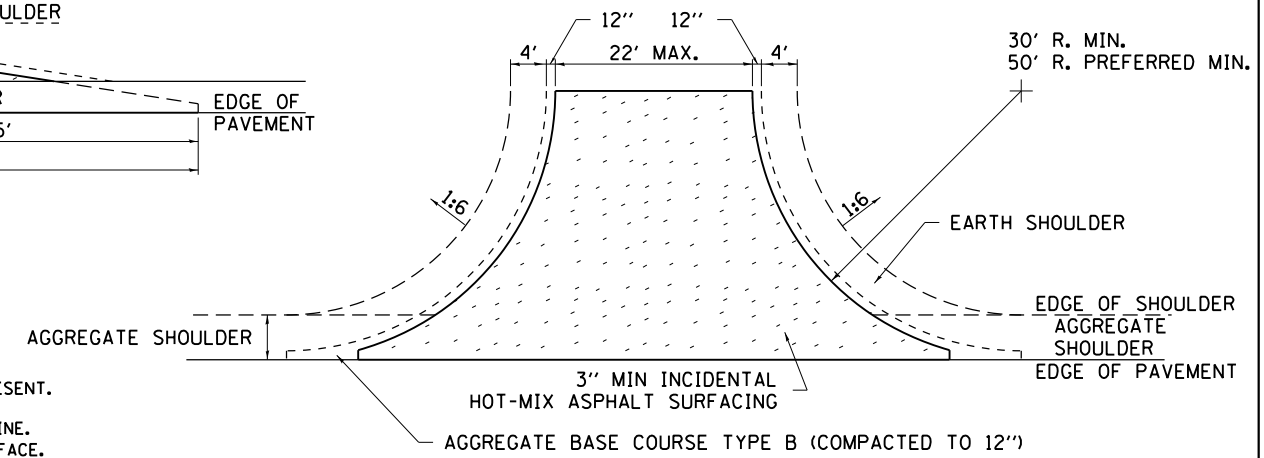
HOT-MIX ASPHALT APPROACHES AND MAILBOX RETURNS



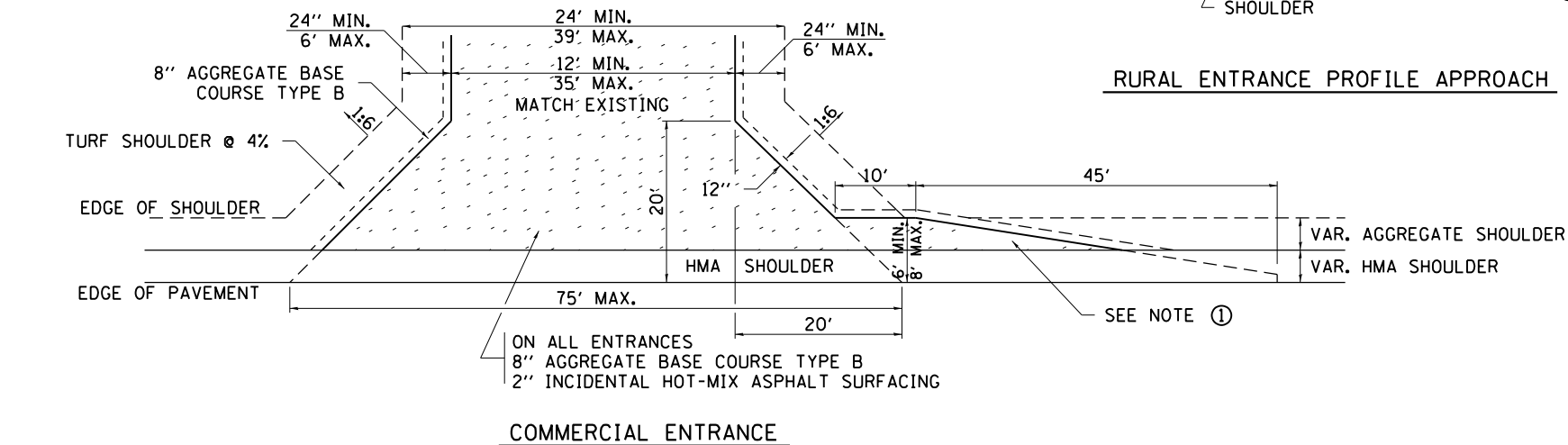
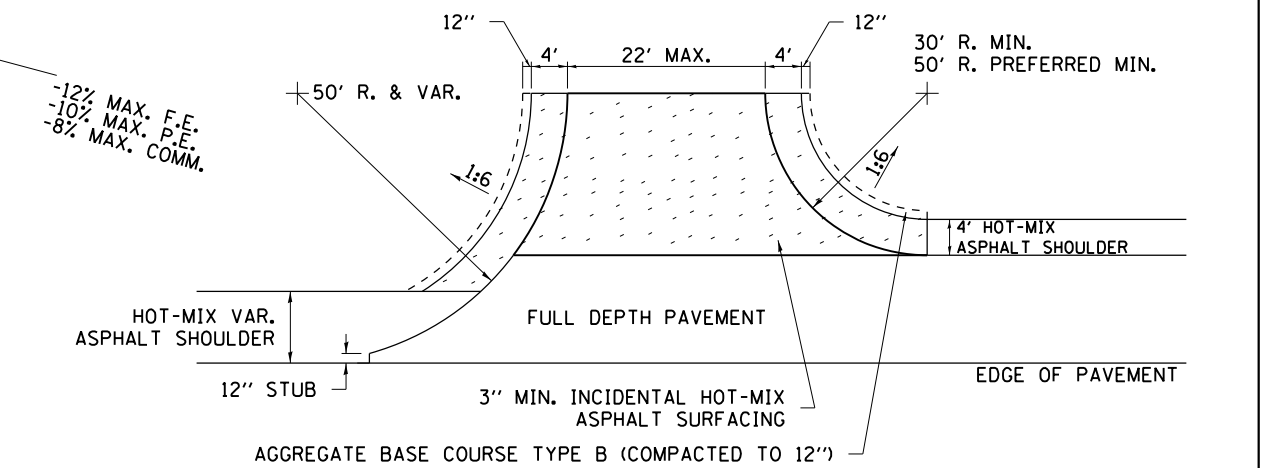
ON ALL ENTRANCES
8" AGGREGATE BASE COURSE TYPE B
2" INCIDENTAL HOT-MIX ASPHALT SURFACING

NOTE

- TURNOUTS ARE TO BE CONSTRUCTED ON THE APPROACH SIDE OF ALL PE & CE REGARDLESS IF A MAILBOX IS PRESENT.
- ALL PE & CE ARE TO BE SURFACED TO RIGHT OF WAY LINE. AREA BEHIND RIGHT OF WAY SHALL MATCH EXISTING SURFACE.
- ALL PE & CE TO BE CONSTRUCTED WITH AN 8" AGGREGATE BASE COURSE, TYPE B AND WITH A 2" INCIDENTAL HOT-MIX ASPHALT SURFACING, UNLESS OTHERWISE NOTED.
- FE ARE TO BE AGGREGATE TO RIGHT OF WAY OR TOUCH DOWN, WHICH EVER IS GREATEST.
- EXCAVATION REQUIRED FOR PLACEMENT OF AGGREGATE BASE COURSE SHALL BE INCLUDED IN THE COST OF THE AGGREGATE BASE COURSE.
- ON ENTRANCES THE CONTRACTOR HAS THE OPTION OF USING RADIUS RETURNS. USE RADII OF 20' TO 60'.
- SIDE ROADS SHALL HAVE 3" INCIDENTAL PLACED IN TWO 1 1/2" LIFTS.



+12% MAX. F.E.
+10% MAX. P.E.
+8% MAX. COMM.



-12% MAX. F.E.
-10% MAX. P.E.
-8% MAX. COMM.



FILE NAME =	USER NAME = Fasslermj	DESIGNED -	REVISED - 8-27-13
ca:\pwwork\pwwork\fasslermj\d0149594\0208209-shit-details.dgn		DRAWN -	REVISED - 12-07-10
		CHECKED -	REVISED -
		DATE -	REVISED -

STATE OF ILLINOIS
DEPARTMENT OF TRANSPORTATION

REGION 2 / DISTRICT 2 STANDARD

SCALE: SHEET NO. OF SHEETS STA. TO STA.

• IL 78	F.A.P. RTE.	SECTION	COUNTY	TOTAL SHEETS	SHEET NO.
+22		15BR-1	WHITESIDE	146	114
					CONTRACT NO. 64F19