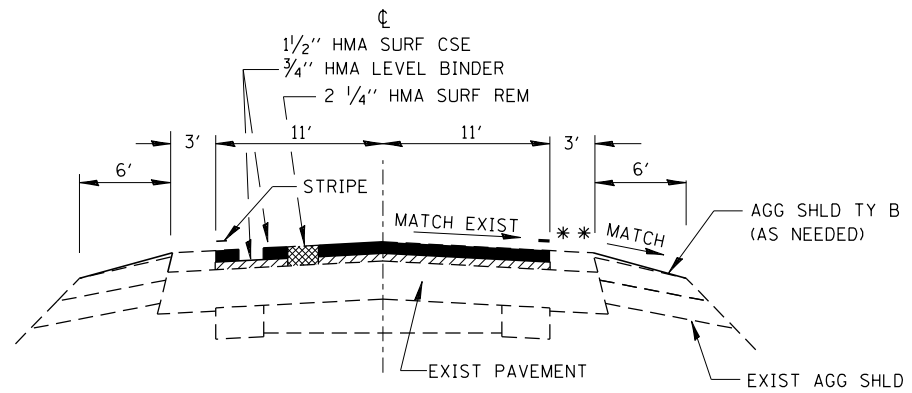
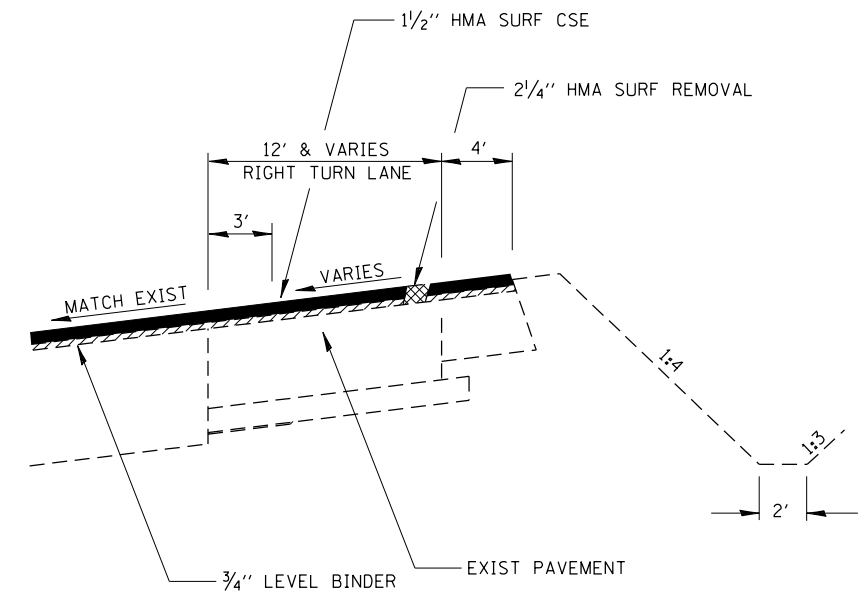


CONTINUOUS MAILBOX TURNOUT
LEFT SIDE ONLY
STA. 586+66 TO STA. 601+00
STA. 622+09 TO STA. 648+85



TYPICAL SECTION
STA. 481+38.38 TO STA. 603+29
STA. 622+09 TO STA. 732+50

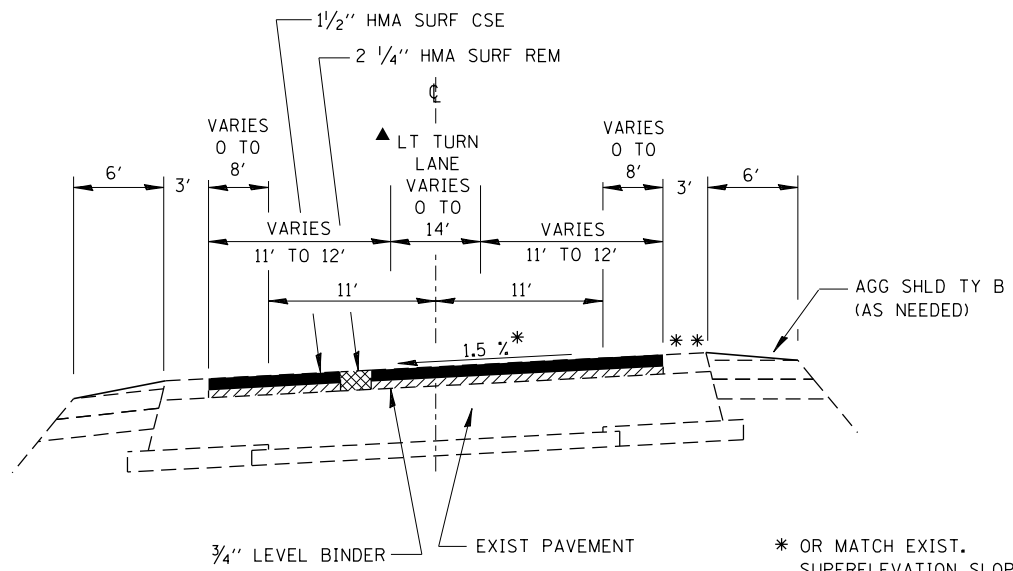
* OR MATCH EXIST. SUPERELEVATION SLOPE
** SEE RIGHT TURN LANE DETAIL STA. 600+99 TO STA. 603+29



RIGHT TURN LANE DETAIL
STA. 600+99 TO STA. 608+41

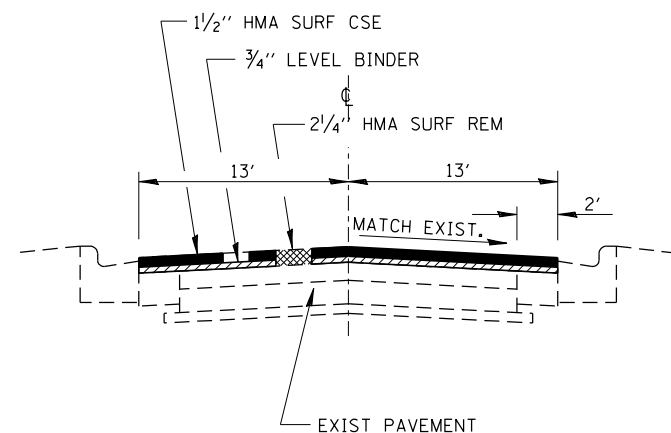
MIX DESIGN					
MIX	PG GRADE **	DESIGN AIR VOIDS	MIX COMPOSITION	FRICTION AGG	DENSITY CONTROL
HOT-MIX ASPHALT SURFACE COURSE	PG 64-22	4.0% @N70	IL 9.5	MIXTURE D	CORRELATION
LEVELING BINDER	PG 64-22	4.0% @N70	IL 9.5 FG		CORRELATION

** WHEN RAP/RAS ABR EXCEEDS 20%, THE HIGH AND LOW VIRGIN ASPHALT BINDER GRADES SHALL EACH BE REDUCED BY ONE GRADE (EXAMPLE: 25% ABR WOULD REQUIRE A VIRGIN ASPHALT BINDER GRADE OF PG 64-22 TO BE REDUCED TO PG 58-28).

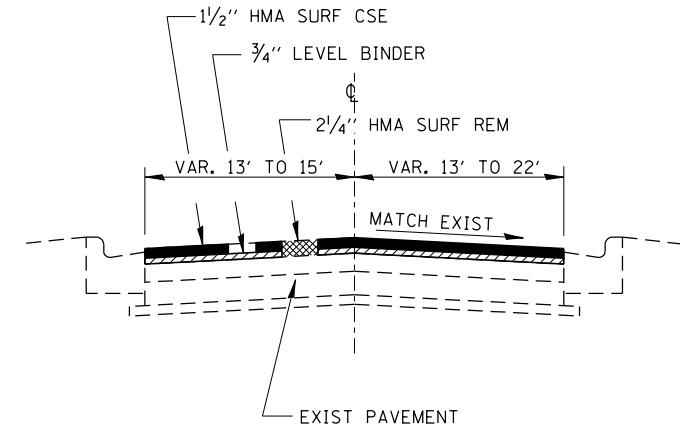


TYPICAL SECTION
STA. 603+29 TO STA. 622+09

* OR MATCH EXIST. SUPERELEVATION SLOPE
** SEE RIGHT TURN LANE DETAIL STA. 603+29 TO STA. 608+41
▲ LEFT TURN LANE STA. 610+79 TO STA. 621+09



TYPICAL SECTION
STA. 732+50 TO STA. 738+99.7



TYPICAL SECTION
STA. 738+99.7 TO STA. 740+37.8

FILE NAME =	USER NAME = carpenterdj	DESIGNED -	REVISED -
ei:\pwork\pwork\carpenterdj\d0248331\0366A95-shd-details.dgn		DRAWN -	REVISED -
	PLOT SCALE = 1/31.233' / in.	CHECKED -	REVISED -
	PLOT DATE = 6/10/2014	DATE -	REVISED -

STATE OF ILLINOIS
DEPARTMENT OF TRANSPORTATION

TYPICAL SECTIONS			
SCALE:	SHEET	OF SHEETS	STA. TO STA.

F.A.P. RTE.	SECTION	COUNTY	TOTAL SHEETS	SHEET NO.
332	(6,K-15d)RS-3	KANKAKEE	16	6
CONTRACT NO. 66A95				
ILLINOIS FED. AID PROJECT				