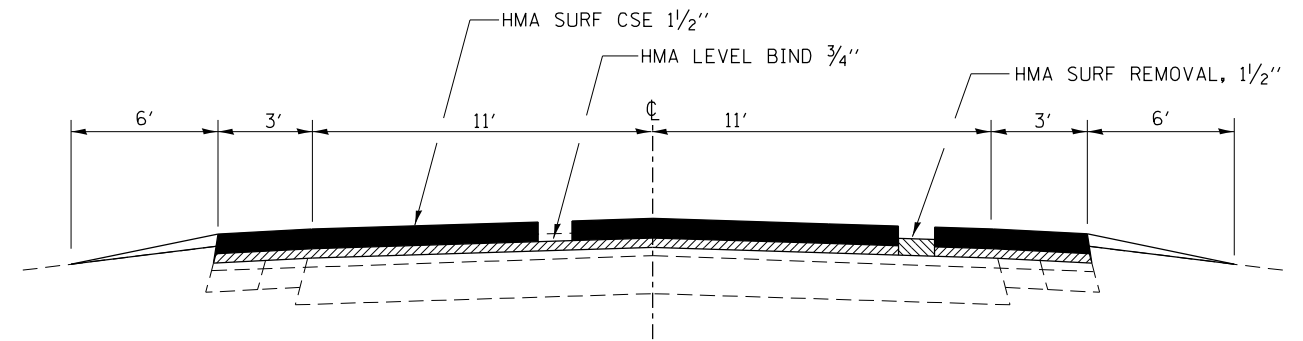


IL 117

STA 739+60 TO STA 705+82.50
 STA 0+00 TO STA 4+60
 LOOKING NORTH

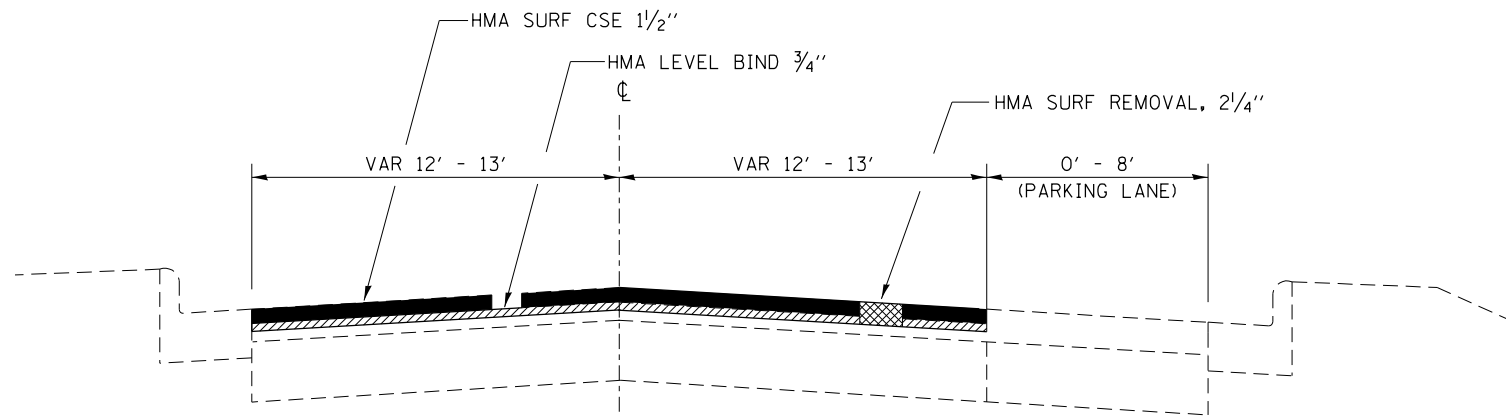


IL 117

STA 4+60 TO STA 132+53.37
 STA 2+00 TO STA 253+13.92
 STA 385+67.60 TO STA 460+90
 LOOKING NORTH AND EAST

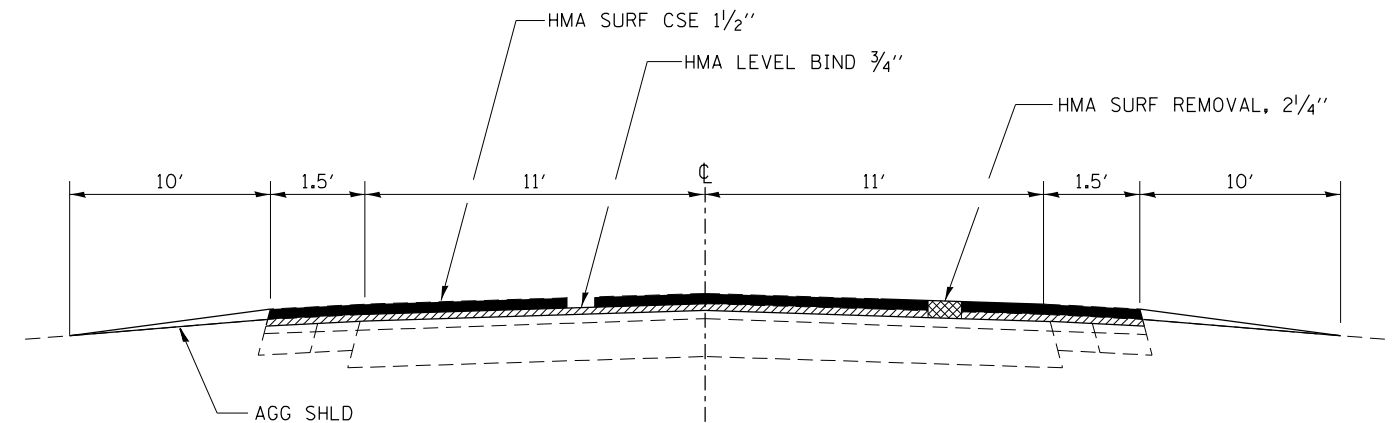
| MIX DESIGN | | | | | |
|------------------|----------------|------------------------|--------------------|-----------------|--------------------|
| MIX | PG GRADE ** | DESIGN AIR VOIDS | MIX COMPOSITION | FRICTION AGG | DENSITY CONTROL |
| HMA SURFACE | PG 64-22 | 4.0% @N70 | IL 9.5 | MIXTURE D | CORRELATION |
| HMA LEVEL BINDER | PG 64-22 | 4.0% @N70 | IL 9.5FG | | CORRELATION |

** WHEN RAP/RAS ABR EXCEEDS 20%, THE HIGH AND LOW VIRGIN ASPHALT BINDER GRADES SHALL EACH BE REDUCED BY ONE GRADE (EXAMPLE: 25% ABR WOULD REQUIRE A VIRGIN ASPHALT BINDER GRADE OF PG 64-22 TO BE REDUCED TO PG 58-28).



IL 117

STA 460+90 TO STA 470+04
 STA 470+04 TO STA 274+20.72
 STA 291+34.38 TO STA 319+00
 LOOKING EAST



IL 117

STA 319+00 TO STA 345+39
 LOG MILE 1.2 TO 1.8
 LOOKING EAST

STATION EQUATIONS:

STA 705+82.50 BACK = STA 0+00 AHEAD
 STA 132+53.37 BACK = STA 200+00 AHEAD
 STA 253+13.92 BACK = STA 385+67.60 AHEAD
 STA 470+04 BACK = STA 274+20.72 AHEAD
 STA 291+44.3 BACK = STA 291+34.38 AHEAD

OMISSIONS:

STA 739+23 TO STA 749+60 (PAVING OMISSION)
 STA 712+22.5 TO STA 712+31.4 (RAILROAD)
 STA 3+92.75 TO STA 4+02.03 (RAILROAD)
 STA 446+04 TO STA 447+53 (SN 046-0021)

| | | | |
|---|------------------------------|------------|-----------|
| FILE NAME = | USER NAME = carpenterdj | DESIGNED - | REVISED - |
| ci:\pw\work\p\midot\carpenterdj\d0250246\ | D366B02-shr-details.DGN | DRAWN - | REVISED - |
| | PLOT SCALE = 100.0000' / in. | CHECKED - | REVISED - |
| | PLOT DATE = 6/11/2014 | DATE - | REVISED - |

STATE OF ILLINOIS
 DEPARTMENT OF TRANSPORTATION

TYPICAL SECTIONS

SCALE: SHEET NO. OF SHEETS STA. TO STA.

| F.A.P. RTE. | SECTION | COUNTY | TOTAL SHEETS | SHEET NO. |
|---------------------------|---------------------------|----------|--------------|-----------|
| 332 | (6Z,6)RS-3;7 RS-4;7R-RS-2 | KANKAKEE | 17 | 7 |
| CONTRACT NO. 66B02 | | | | |
| ILLINOIS FED. AID PROJECT | | | | |