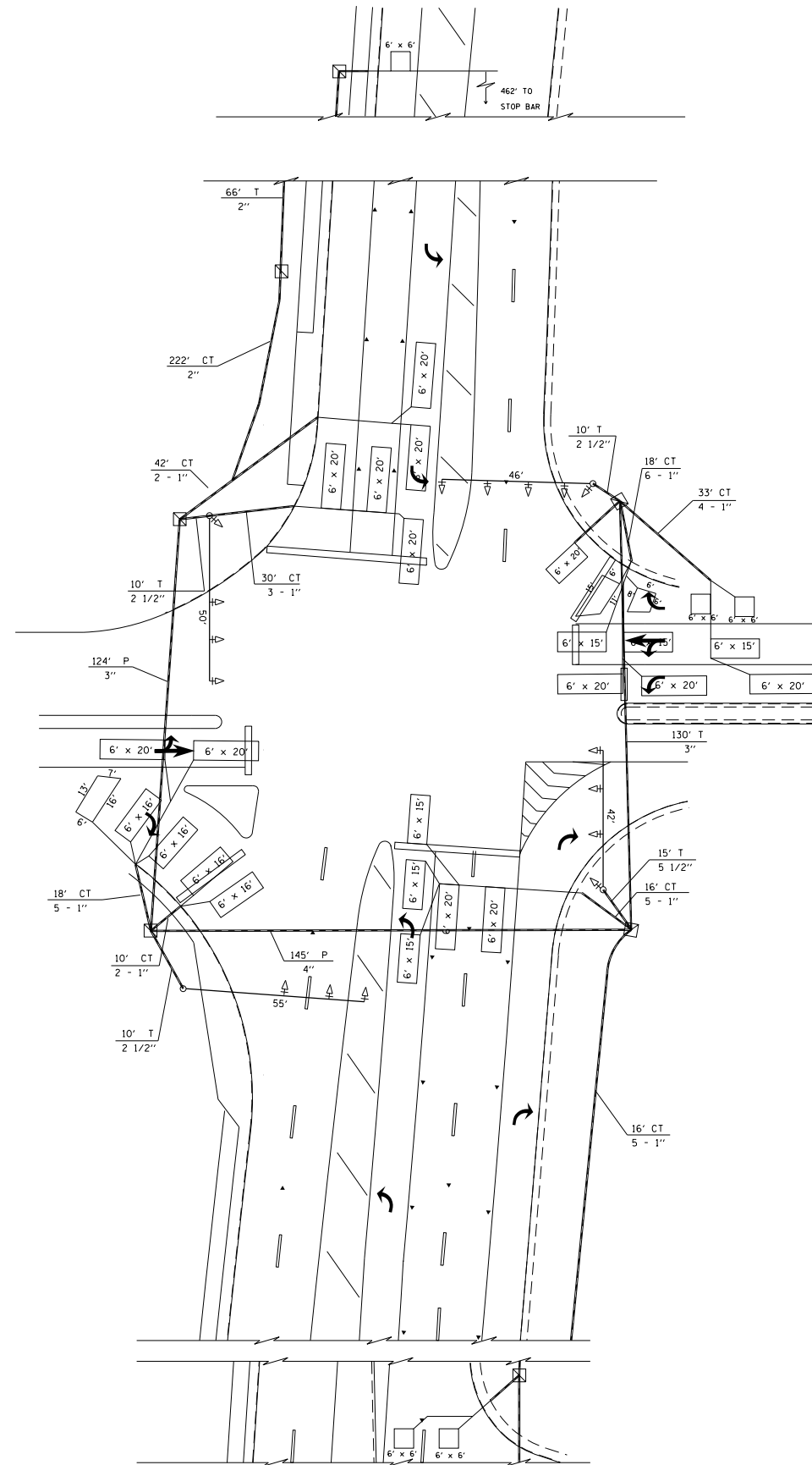


SCHEDULE OF QUANTITIES

DESCRIPTION	UNIT	QUANTITY
DETECTOR LOOP, TYPE 1	FOOT	1672
LOOP DETECTOR TESTING	EACH	1



TRAFFIC SIGNAL GENERAL NOTES:
 1. PLACE DETECTOR LOOPS IN BINDER
 2. DETECTOR LOOPS SHALL HAVE FOUR TURNS
 3. SAW CUT EXISTING DETECTOR LOOPS TO BE ABANDONED
 4. THE DEPARTMENT OF TRANSPORTATION (8125-434-8506) SHALL BE NOTIFIED AT LEAST 72 HOURS PRIOR TO THE LAYOUT OF THE DETECTOR LOOPS

TRAFFIC SIGNAL PLAN LEGEND

		CONTROLLER
		DETECTOR LOOP
		DETECTOR LOOP LINE
		UNDERGROUND CONDUIT
		HANDHOLE
		DOUBLE HANDHOLE
		HEAVY DUTY HANDHOLE
		PED. PUSHBUTTON DETECTOR
		PED. SIGNAL HEAD
		POWER POLE SERVICE
		SIGNAL HEAD W/ BACKPLATE
		SIGNAL POST
		STEEL MAST ARM
		WOOD POLE
		ELECTRICAL CABLE IN CONDUIT

FILE NAME =	USER NAME = duncanbd	DESIGNED -	REVISED -
et:\pw\work\p\dot\duncanbd\0296614\0365C07-sht-details.dgn		DRAWN -	REVISED -
	PLOT SCALE = 100.0000' / in.	CHECKED -	REVISED -
	PLOT DATE = 6/14/2014	DATE -	REVISED -

STATE OF ILLINOIS
DEPARTMENT OF TRANSPORTATION

IL 251 AND UNYTITE DRIVE TRAFFIC SIGNAL PLAN				
SCALE:	SHEET NO.	OF SHEETS	STA.	TO STA.

F.A.P. RTE.	SECTION	COUNTY	TOTAL SHEETS	SHEET NO.
46	(1,12)RS-4	LASALLE	54	32
CONTRACT NO. 66C07				
ILLINOIS FED. AID PROJECT				