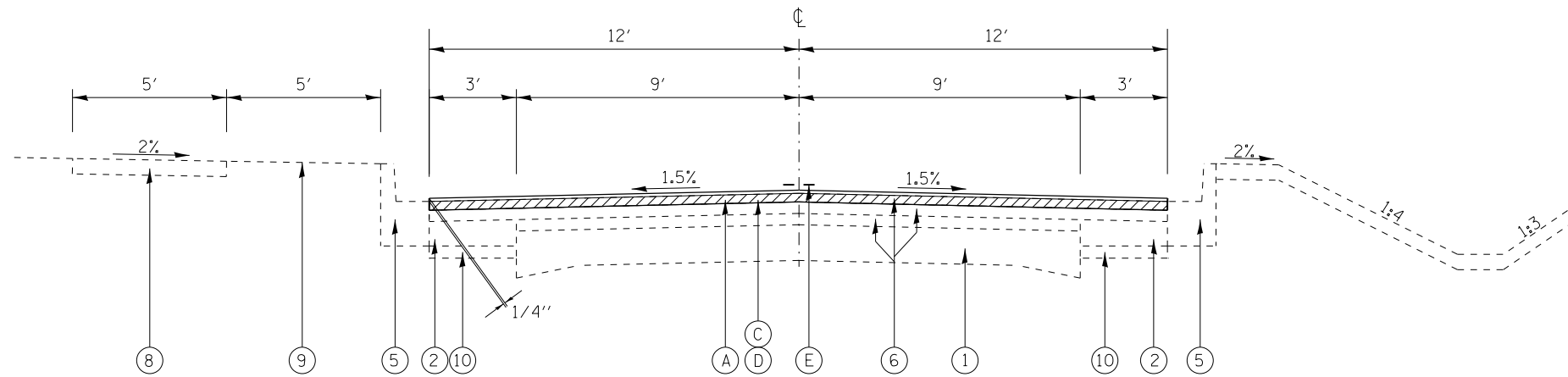


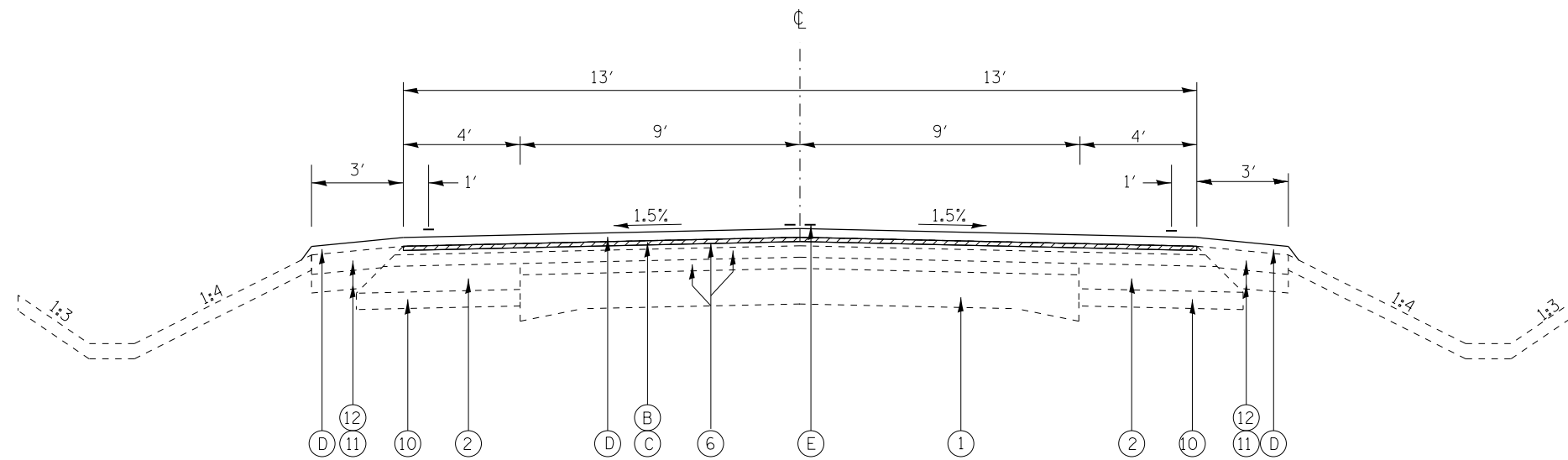
LEGEND

- ① EXIST. 9-6-9 P.C.C. PAVEMENT
- ② EXIST. 9" BIT. BASE CSE. WIDENING
- ③ EXIST. AGG. BASE CSE. TY. B 6"
- ④ EXIST. CONCRETE CURB AND GUTTER TY. B-6.12
- ⑤ EXIST. CONCRETE CURB AND GUTTER TY. B-6.24
- ⑥ EXIST. BIT. SURFACE
- ⑦ EXIST. 6" BIT. ENTRANCE
- ⑧ EXIST. SIDEWALK
- ⑨ EXIST. GRASS SHOULDER
- ⑩ EXIST. AGGREGATE BASE CSE TYPE B, 4"
- ⑪ EXIST. AGGREGATE SHOULDER TYPE B (WEDGE)
- ⑫ EXIST. BIT SHOULDER 8"
- ⑬ EXIST. BIT BASE CSE 10"
- ⑭ EXIST. PIPE UNDERDRAIN 4"

- Ⓐ PROP. HMA. SURFACE REMOVAL VARIABLE DEPTH (2" BELOW GUTTER SECTION)
- Ⓑ PROP. HMA. SURFACE REMOVAL 3/4"
- Ⓒ PROP. HMA. LEV. BINDER CSE. 3/4"
- Ⓓ PROP. HMA. SURFACE CSE. 1 1/2"
- Ⓔ PROP. PAVEMENT MARKINGS
- Ⓕ PROP. AGGREGATE WEDGE SHOULDER, TYPE B



TYPICAL SECTION 5
STA. 66+72 TO STA. 70+57



TYPICAL SECTION 6
STA. 70+57 TO STA. 94+48

NOT TO SCALE

FILE NAME = Cover_GN.Line Diagram.Typicals.dgn	USER NAME = aubrejgs	DESIGNED -	REVISED -	STATE OF ILLINOIS DEPARTMENT OF TRANSPORTATION	TYPICAL SECTIONS			F.A.S RTE.	SECTION	COUNTY	TOTAL SHEETS	SHEET NO.		
Default	PLOT SCALE = 20.0000' / in.	DRAWN -	REVISED -		SCALE:	SHEET	OF	SHEETS	STA.	TO	STA.	1375	9	
	PLOT DATE = 6/13/2014	CHECKED -	REVISED -									PEORIA/STARK	33	9
		DATE -	REVISED -									CONTRACT NO. 68A95		