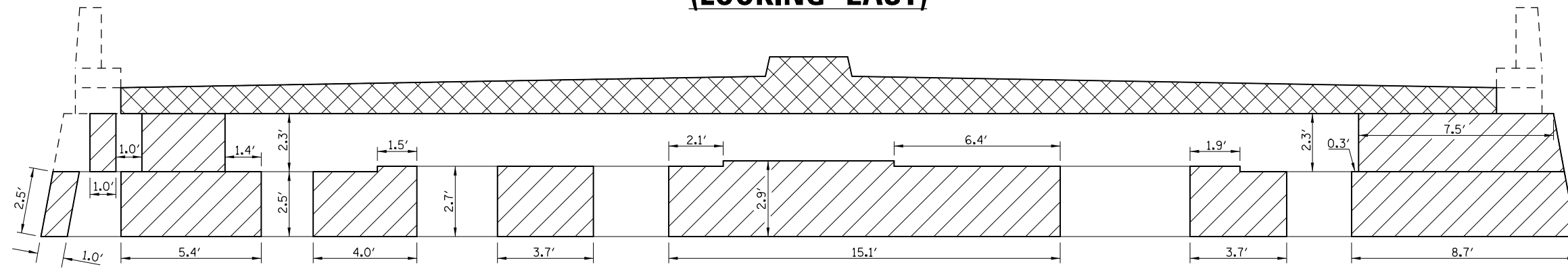
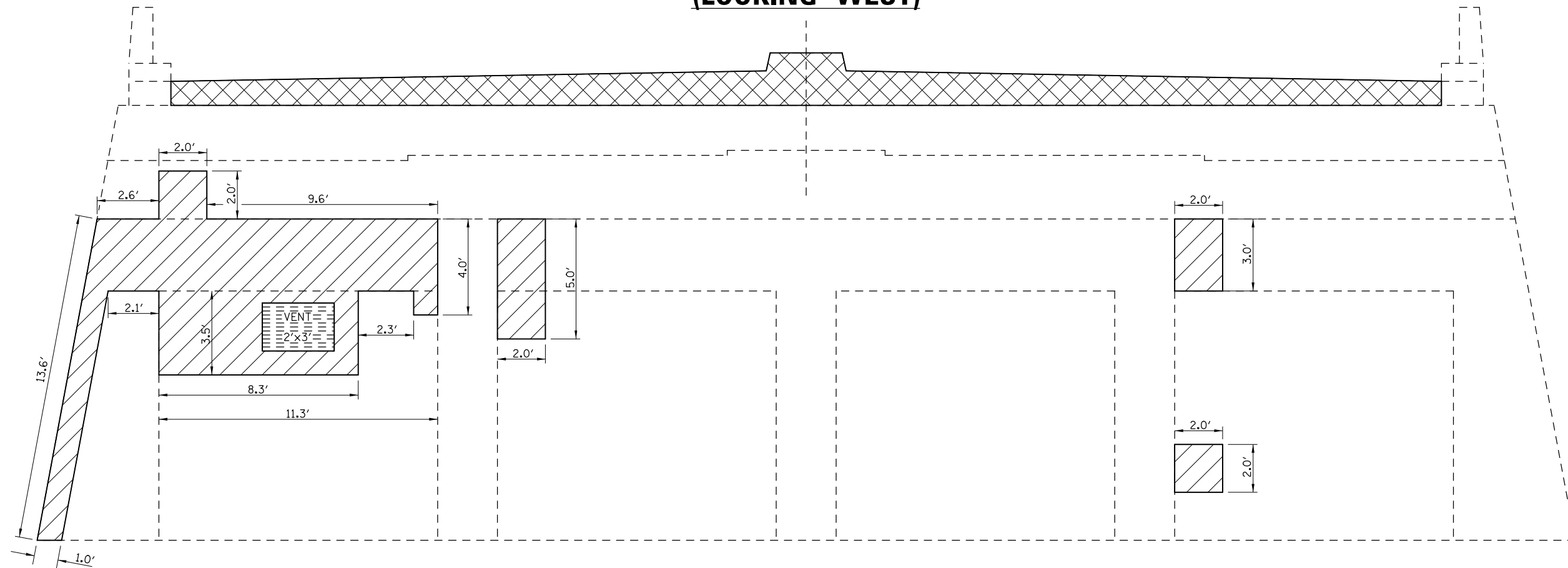


## EAST ABUTMENT (LOOKING EAST)



## WEST ABUTMENT (LOOKING WEST)



### LEGEND

- STRUCTURAL REPAIR OF CONCRETE, DEPTH EQUAL TO OR LESS THAN 5"
- CONCRETE REMOVAL & CONCRETE STRUCTURES (SEE SHEET 2-3 OF 8 FOR DETAILS & QUANTITIES)

### NOTE:

SEE SPECIAL PROVISION FOR STRUCTURAL REPAIR OF CONCRETE.

THE CONTRACTOR SHALL USE CARE TO AVOID DAMAGING THE EXISTING 2'x3' VENT IN THE WEST ABUTMENT WALL DURING THE REMOVAL FOR STRUCTURAL REPAIR OF CONCRETE. THE EXISTING FRAME AND VENT SHALL BE SALVAGED AND REUSED. COST INCLUDED WITH STRUCTURAL REPAIR OF CONCRETE (DEPTH LESS THAN OR EQUAL TO 5 INCHES).

### BILL OF MATERIALS

ITEM	UNIT	TOTAL
STRUCTURAL REPAIR OF CONCRETE, DEPTH EQUAL TO OR LESS THAN 5"	SQ FT	238.3

FILE NAME =	USER NAME = dodgems	DESIGNED - GMS	REVISED -
Default	et:\pw\work\p\dot\dodgems\d0267571\0570838-sht-Hyd.dgn	DRAWN - GMS	REVISED -
	PLOT SCALE = 40.0000' / in.	CHECKED - BJM	REVISED -
	PLOT DATE = 6/11/2014	DATE - 10-29-12	REVISED -

**STATE OF ILLINOIS  
DEPARTMENT OF TRANSPORTATION**

**S.N. 057-0063 - SUBSTRUCTURE REPAIR PLAN  
ABUTMENTS**

SCALE: SHEET 5 OF 8 SHEETS STA. TO STA.

F.A.P. RTE.	SECTION	COUNTY	TOTAL SHEETS	SHEET NO.
704	(57-7)RS-1 & 1RS-3	McLean	273	115
<b>CONTRACT NO. 70838</b>				
<small>ILLINOIS FED. AID PROJECT</small>				