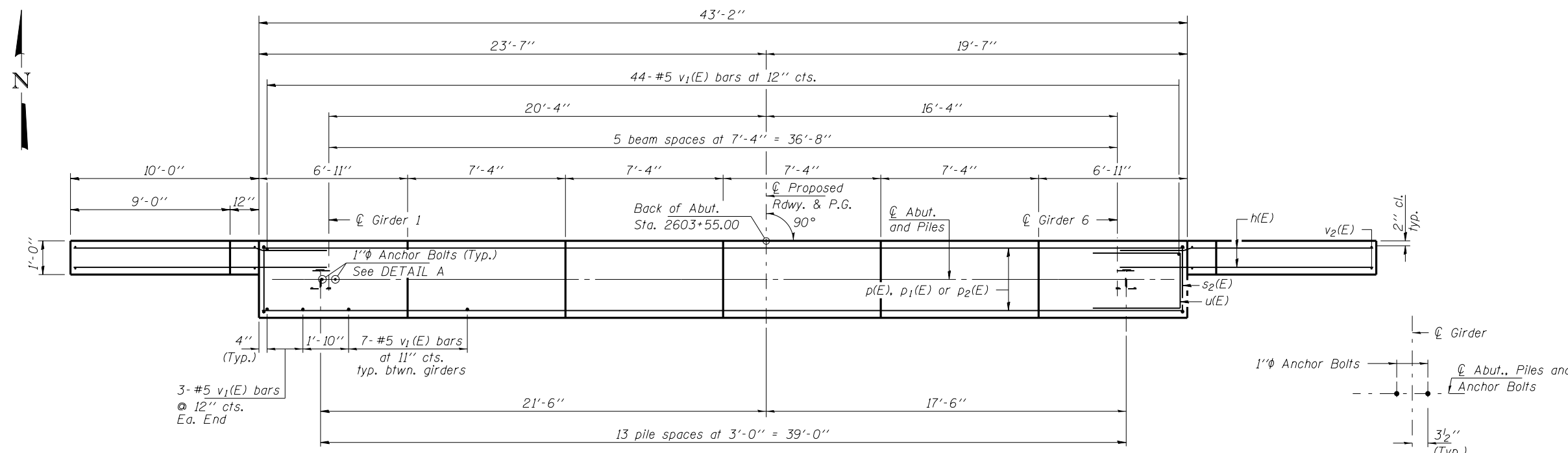
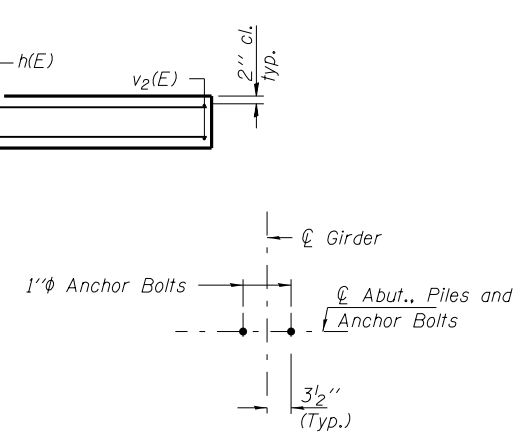


**SEC. THRU ABUT.**



**PLAN**



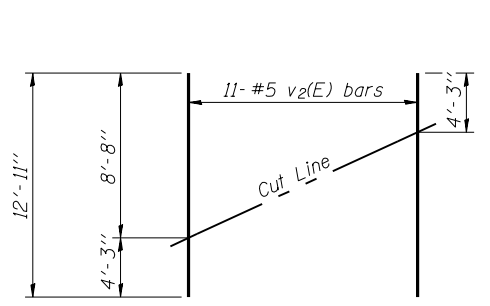
**DETAIL A**

**BILL OF MATERIAL  
(NORTH ABUT.)**

Bar	No.	Size	Length	Shape
h(E)	88	#6	14'-2"	—
p(E)	8	#7	42'-10"	—
p1(E)	10	#5	42'-10"	—
p2(E)	4	#5	7'-0"	—
s2(E)	45	#5	12'-7"	□
s3(E)	8	#5	6'-10"	□
u(E)	10	#6	12'-1"	—
v1(E)	85	#5	4'-4"	—
v2(E)	22	#5	12'-11"	—
Structure Excavation		Cu. Yd.	172	
Concrete Structures		Cu. Yd.	21.9	
Concrete Encasement		Cu. Yd.	7.3	
Reinforcement Bars, Epoxy Coated		Pound	4,560	
Furnishing Steel Piles HP14x117		Foot	1,118	
Driving Piles		Foot	1,118	
Test Pile Steel HP14x117		Each	1	
Pile Shoes		Each	14	

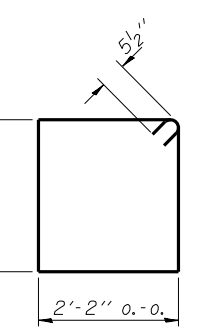
**PILE DATA**

Type: Steel HP14x117 with Pile Shoes  
 Nominal Required Bearing: 929 Kips/pile  
 Factored Resistance Available: 511 Kips/pile  
 Est. Length: 86'  
 No. Production Piles: 13  
 No. Test Piles: 1

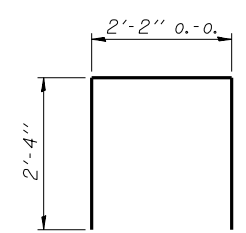


**FIELD CUTTING DIAGRAM**

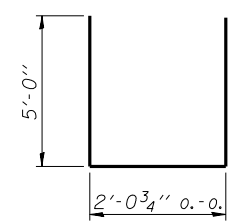
Order v2(E) full length. Cut as shown and use remainder of bars in opposite face.



**BARS s2(E)**



**BARS s3(E)**



**BAR u(E)**

Notes:  
 Pour steps monolithically with cap.  
 For details of piles and Concrete Encasement, see sheet 25 of 32.  
 Space reinforcement in cap to miss anchor bolts.