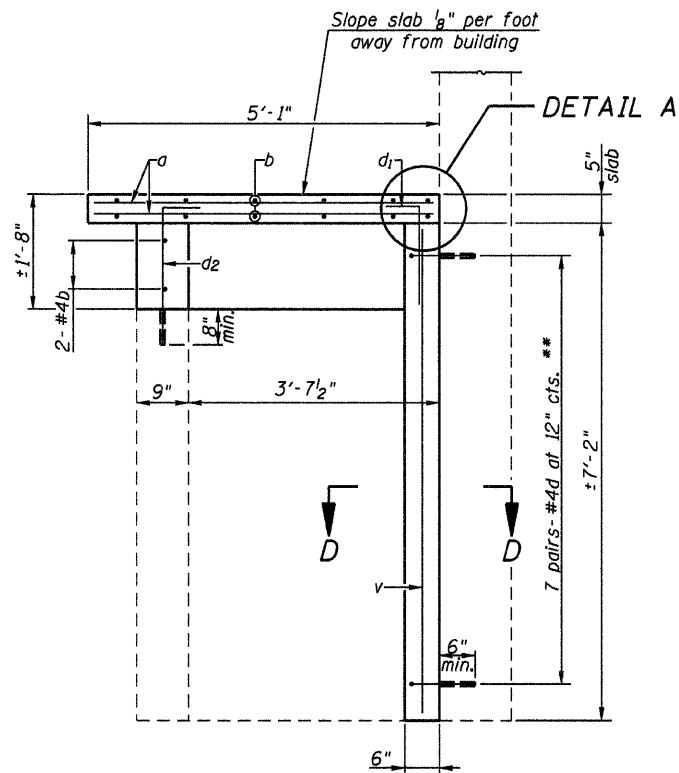
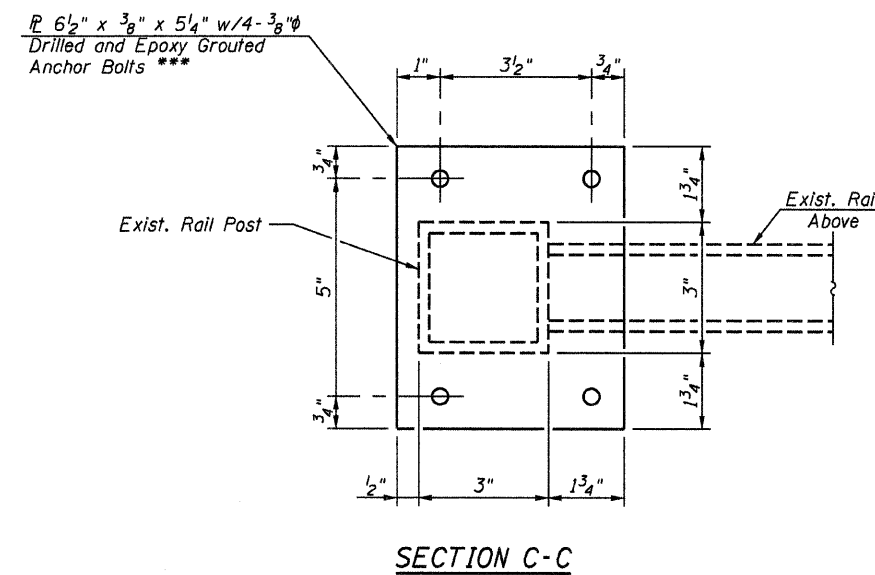


SECTION A-A



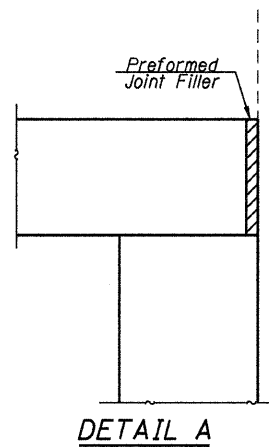
SECTION B-B

** Bars shall be epoxy grouted into 3/4" ϕ drilled holes, 6" min. depth into the existing concrete wall, in accordance Section 584 of the Standard and Specifications. Cost included with "Reinforcement bars."

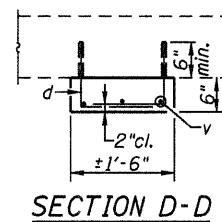


SECTION C-C

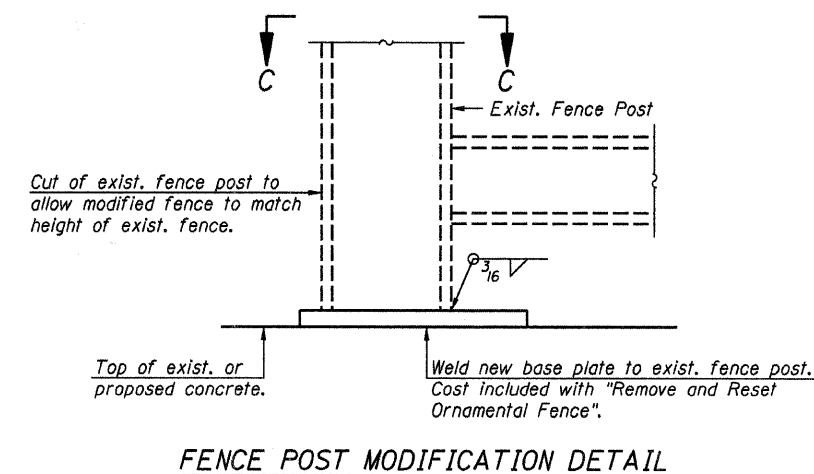
*** Anchor bolts shall be epoxy grouted into 5/8" ϕ drilled holes, 3 3/8" min. depth into concrete, in accordance with Section 584 of The Standard Specifications. Cost included with "Remove and Reset Ornamental Fence."



DETAIL A



SECTION D-D



FENCE POST MODIFICATION DETAIL

Note: Work this sheet with sheet 10 of 11.

JOB NO. 09-014A ALLEN HENDERSON & ASSOC., INC. DESIGN FIRM NUMBER 184-001907

FILE NAME =	USER NAME = #USER*	DESIGNED -	REVISED -	STATE OF ILLINOIS DEPARTMENT OF TRANSPORTATION	PORCH DETAILS			F.A. RTE.	SECTION	COUNTY	TOTAL SHEETS	SHEET NO.			
#FILEL#		DRAWN -	REVISED -								COOK	11	11		
	PLOT SCALE = #SCALE*	CHECKED -	REVISED -					CONTRACT NO.							
	PLOT DATE = #DATE*	DATE -	REVISED -					ILLINOIS FED. AID PROJECT							
				SCALE:	SHEET NO.	OF	SHEETS	STA.	TO	STA.					