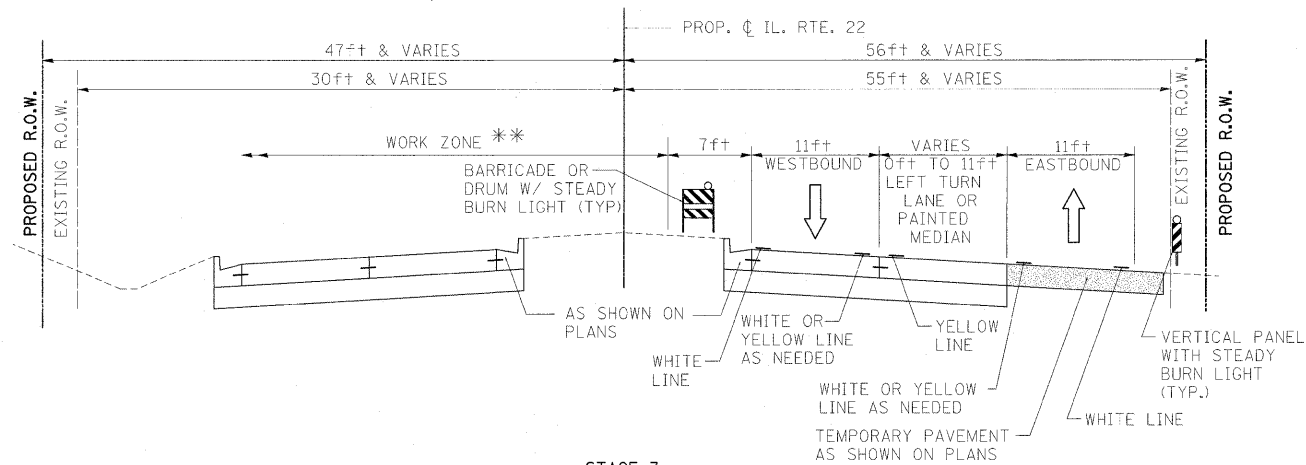
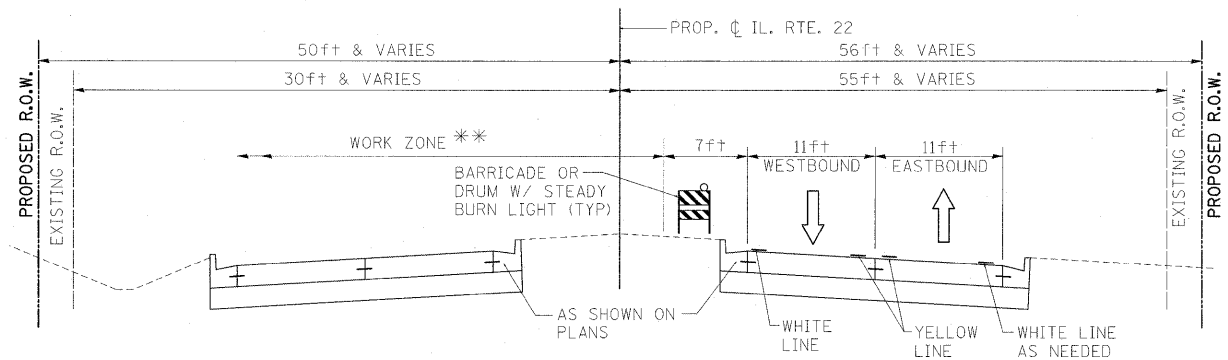


**STAGE 3**  
STA. 46+48 TO STA. ±57+15



**STAGE 3**  
STA. ±71+10 TO STA. ±81+75  
STA. ±93+24 TO STA. ±109+65  
STA. ±139+09 TO STA. ±149+84



**STAGE 3**  
STA. ±57+15 TO STA. ±71+10  
STA. ±81+75 TO STA. ±93+24  
STA. ±109+64 TO STA. ±115+13  
STA. ±149+83 TO STA. ±173+95

PROJECT OMISSION: STA. 115+12.03 TO  
STA. 139+09.88

\*\* UTILIZE WORK ZONE TO COMPLETE MAXIMUM AMOUNT OF PAVEMENT AND MEDIAN

FILE NAME =	USER NAME = #USER#	DESIGNED - LP	REVISED -	<b>STATE OF ILLINOIS DEPARTMENT OF TRANSPORTATION</b>	<b>IL. ROUTE 22 MAINTENANCE OF TRAFFIC TYPICAL SECTIONS, STAGE 3</b>		F.A.P. RTE.	SECTION	COUNTY	TOTAL SHEETS	SHEET NO.		
W:\ILRTE22\2009 REVISIONS\CADD Sheets\	D160860\shl-staging\typical.dgn	DRAWN - DC	REVISED -		SCALE: NTS	SHEET NO. 37 OF 232 SHEETS	STA.	TO STA.	337	20R-4	LAKE	232	37
		CHECKED - JP	REVISED -										
		DATE - 05/14/2010	REVISED -										
							CONTRACT NO. 60860		ILLINOIS FED. AID PROJECT				