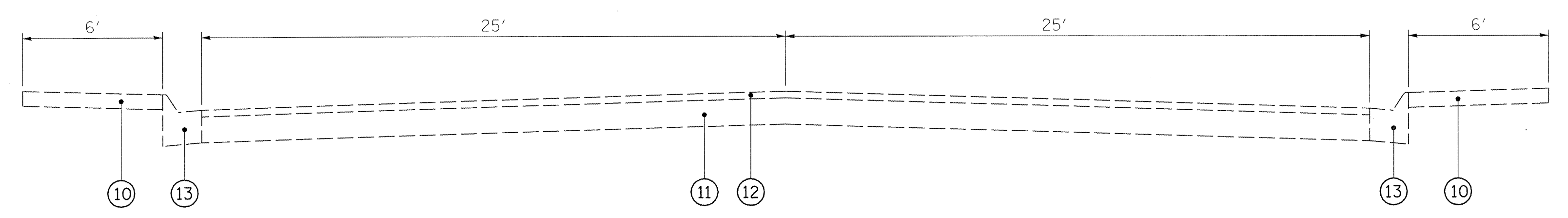
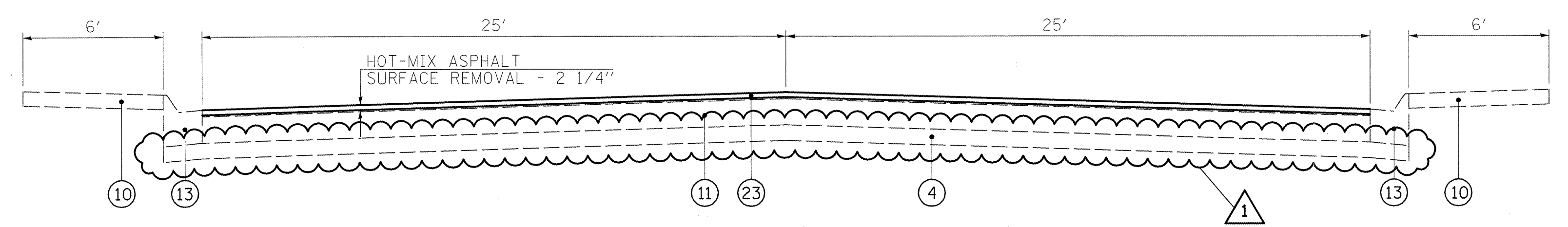


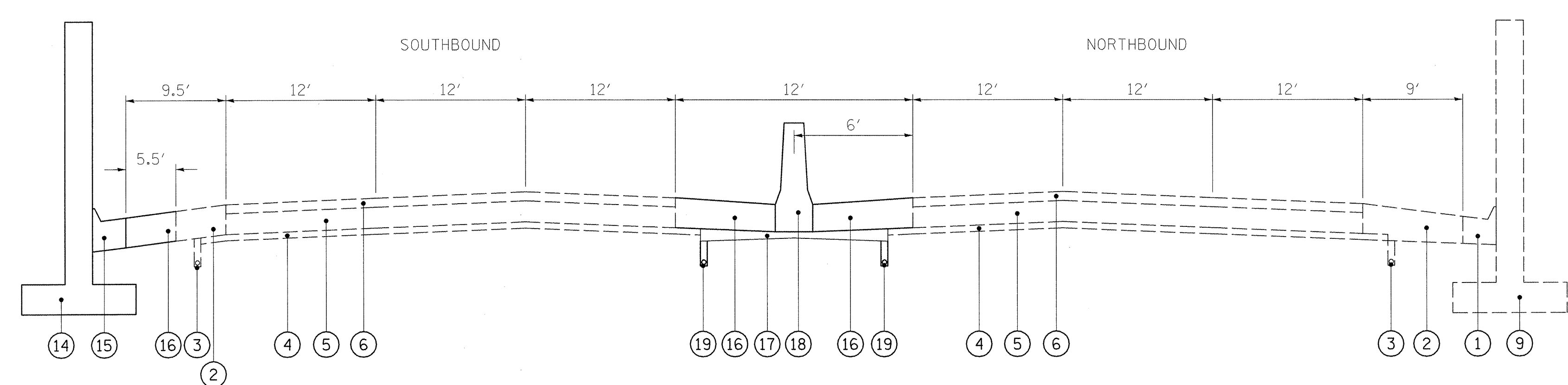
EXISTING TYPICAL SECTION - I-94



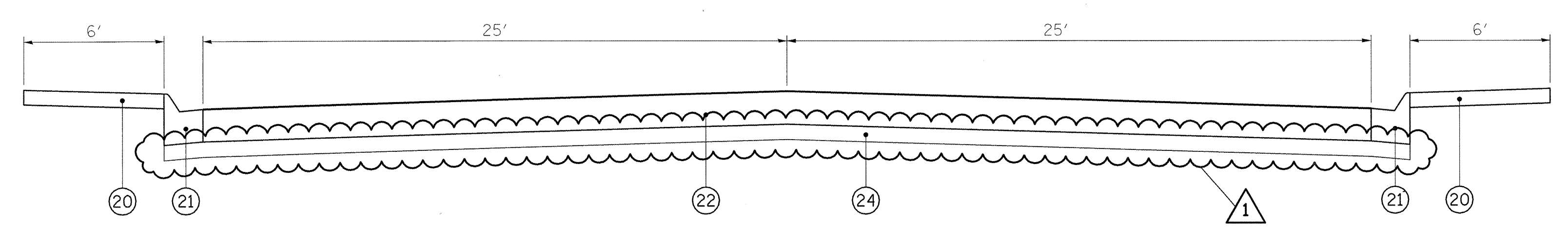
EXISTING TYPICAL SECTION - ELSTON



PROPOSED RESURFACING - ELSTON



PROPOSED TYPICAL SECTION - I-94



PROPOSED TYPICAL SECTION - ELSTON

LEGEND

- ① EXISTING COMBINATION CONCRETE CURB AND GUTTER, TYPE M-6.24
- ② EXISTING BITUMINOUS SHOULDER
- ③ EXISTING PIPE UNDERDRAIN
- ④ EXISTING SUB-BASE
- ⑤ EXISTING PCC PAVEMENT, 10"
- ⑥ EXISTING BITUMINOUS PAVEMENT, 4-1/4"
- ⑦ EXISTING GRANULAR SUB-BASE
- ⑧ EXISTING CONCRETE BARRIER
- ⑨ EXISTING BRIDGE ABUTMENT
- ⑩ EXISTING CEMENT CONCRETE SIDEWALK, 5"
- ⑪ EXISTING PCC PAVEMENT, 9"
- ⑫ EXISTING BITUMINOUS PAVEMENT, 2-1/4"
- ⑬ EXISTING COMBINATION CONCRETE CURB AND GUTTER, TYPE B-6.12
- ⑭ PROPOSED BRIDGE ABUTMENT
- ⑮ COMBINATION CONCRETE CURB AND GUTTER, TYPE M-6.24
- ⑯ HOT-MIX ASPHALT SHOULDERS, 14"
- ⑰ SUB-BASE, GRANULAR MATERIAL, TYPE B
- ⑱ CONCRETE BARRIER, DOUBLE FACE, 32 INCH HEIGHT
- ⑲ PIPE UNDERDRAIN REMOVAL AND REPLACEMENT
- ⑳ PORTLAND CEMENT CONCRETE SIDEWALK, 5"
- ㉑ COMBINATION CONCRETE CURB AND GUTTER, TYPE B-6.12
- ㉒ BRIDGE APPROACH PAVEMENT CONNECTOR (PCC)
- ㉓ PROPOSED HOT-MIX ASPHALT SURFACE COURSE, MIX "F", N90; 2 1/4"
- ㉔ SUB-BASE GRANULAR MATERIAL, TYPE B 4"

HOT-MIX ASPHALT MIXTURE REQUIREMENTS	
MIXTURE TYPE	AIR VOIDS @ Ndes
TEMPORARY PAVEMENT	
HOT-MIX ASPHALT SURFACE COURSE, MIX "D", N70 (IL 9.5 mm); 1 1/2"	4% @ 70 Gyr.
TEMP PVMT (INTERSTATE) (HMA BINDER IL-19 mm); 8.5"	4% @ 70 Gyr.
SHOULDER RECONSTRUCTION	
HOT-MIX ASPHALT SURFACE COURSE, MIX "D", N70 (IL 9.5 mm); 1 1/2"	4% @ 70 Gyr.
HMA SHOULDER (HMA BINDER IL-19 mm); 12 1/2" (4 LIFTS)	4% @ 70 Gyr.
FILLING SHOULDER RUMBLE STRIPS	
HOT-MIX ASPHALT SURFACE COURSE, MIX "D", N70 (IL 9.5 mm); 2"	4% @ 70 Gyr.
DRIVEWAY	
HMA SURFACE COURSE, MIX "C", N50 (IL 9.5 mm); 2"	4% @ 50 Gyr.
HMA BASE COURSE (HMA BINDER IL-19 mm); 8"	4% @ 50 Gyr.
ELSTON RESURFACING	
HOT-MIX ASPHALT SURFACE COURSE, MIX "F", N90 (IL 9.5 mm); 2 1/4"	4% @ 90 Gyr.
PATCHING	
CLASS D PATCHES (HMA BINDER IL-19mm)	4% @ 70 Gyr.
HMA REPLACEMENT OVER PATCHES (HMA BINDER IL-19 mm)	4% @ 70 Gyr.

NOTES:

THE UNIT WEIGHT USED TO CALCULATE ALL HMA SURFACE MIXTURE QUANTITIES IS 112 LBS/SQ YD/IN.
 THE "AC TYPE" FOR POLYMERIZED HMA MIXES SHALL BE "SBS/SBR PG 70-22" AND FOR NON-POLYMERIZED HMA THE "AC TYPE" SHALL BE "PG 64-22" UNLESS MODIFIED BY DISTRICT ONE SPECIAL PROVISIONS.
 FOR "PERCENT OF RAP" SEE DISTRICT ONE SPECIAL PROVISIONS.

1 - ADDENDUM NO. 1 8/26/2010