

FILE NAME = #FILEL#  
 USER NAME = #USER#  
 PLOT SCALE = #SCALE#  
 PLOT DATE = #DATE#

DESIGNED -  
 DRAWN -  
 CHECKED -  
 DATE -

REVISED -  
 REVISED -  
 REVISED -  
 REVISED -

REVISED -  
 REVISED -  
 REVISED -  
 REVISED -

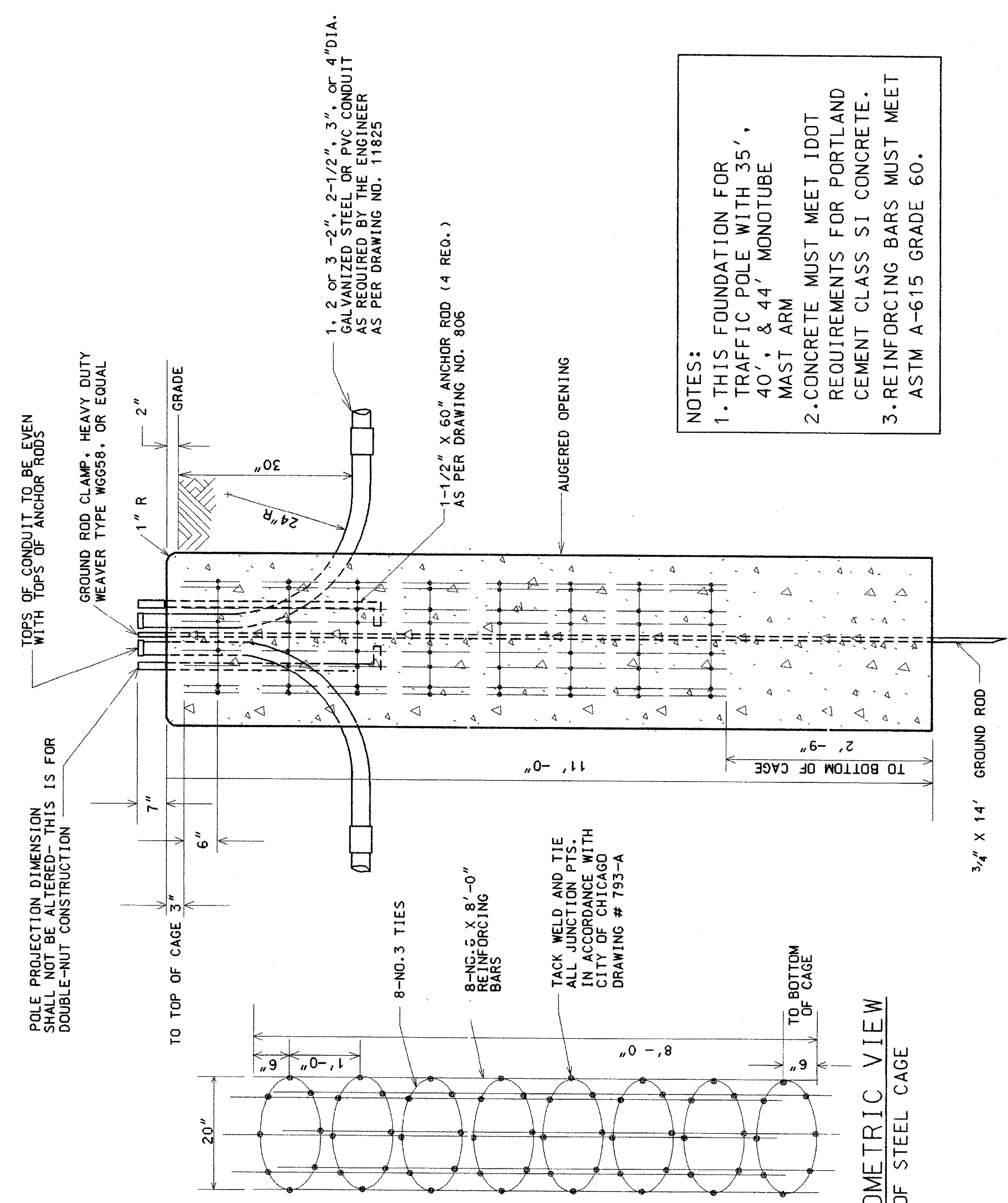
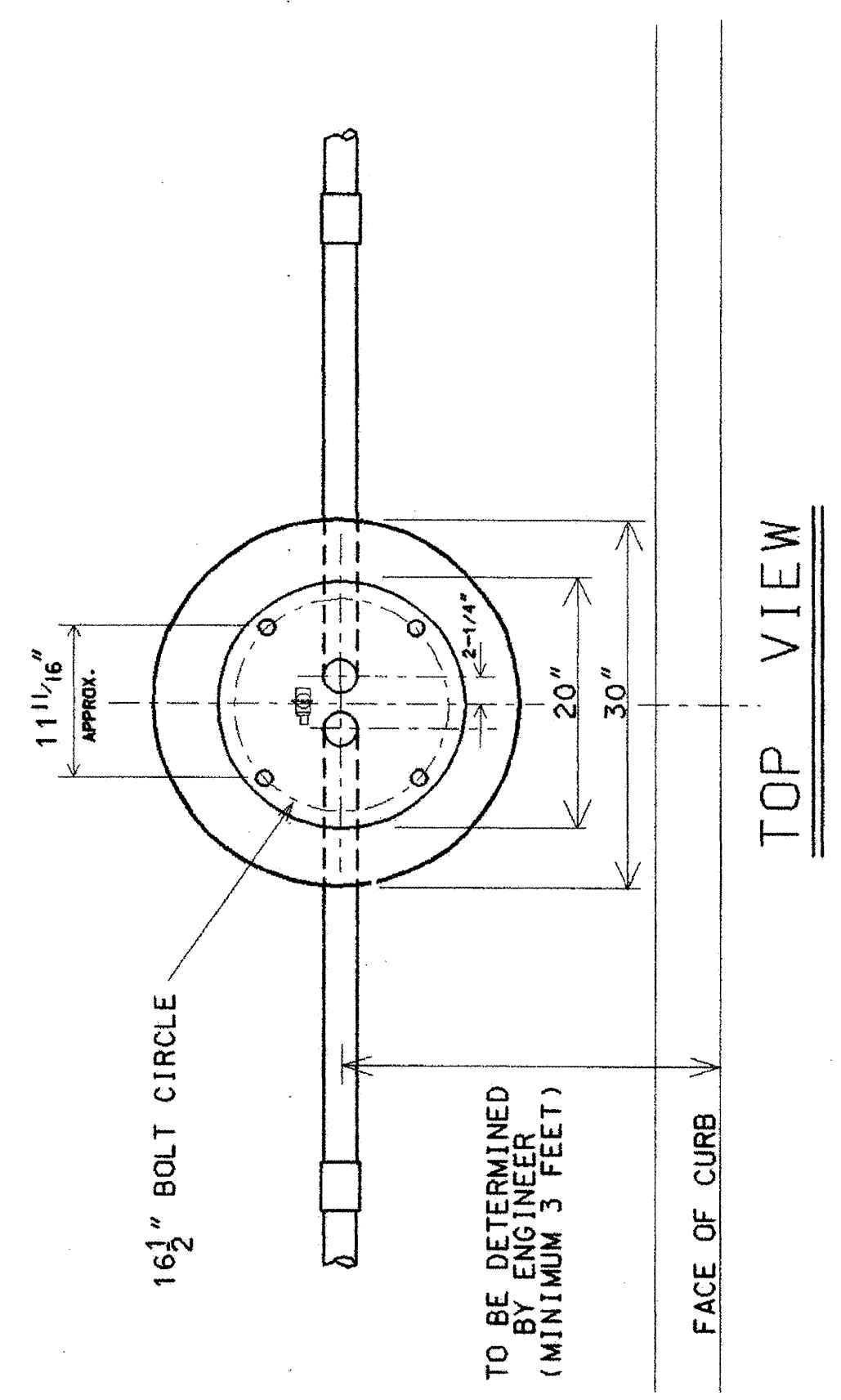
STATE OF ILLINOIS  
 DEPARTMENT OF TRANSPORTATION

STANDARD SIGNAL DRAWINGS

SCALE: SHEET NO. OF SHEETS STA. TO STA.

F.A.I. RTE.	SECTION	COUNTY	TOTAL SHEETS	SHEET NO.
94	0101.8B	COOK	139	50b
CONTRACT NO. 60C18				ILLINOIS FED. AID PROJECT

1 - ADDENDUM NO. 1 8/26/2010



NOTES:  
 1. THIS FOUNDATION FOR TRAFFIC POLE WITH 35', 40', & 44' MONOTUBE MAST ARM  
 2. CONCRETE MUST MEET IDOT REQUIREMENTS FOR PORTLAND CEMENT CLASS SI CONCRETE.  
 3. REINFORCING BARS MUST MEET ASTM A-615 GRADE 60.

NOTE:  
 HOLE FOR FOUNDATION MUST BE AUGERED IN UNDISTURBED SOIL

ELEVATION

CODE	COMMODITY	SIZE	QUANTITY
05-3267-2940	REDI-MIX CONCRETE	CU. YD.	2.20
09-4001-	ELBOW, LARGE RADIUS	2" X 2-1/2" X 3" X 4"	AS REQUIRED
37-8180-0200	ANCHOR ROD	1-1/2" X 60"	4
05-5054-6910	RE-BAR CAGE	20" X 8'-0"	1
09-7796	GROUND ROD	3/4" X 14'-0"	1
09-2636-	GROUND ROD CLAMP	3/4"	1
09-2092-	GROUND BUSHING	2" X 2-1/2" X 3" X 4"	AS REQUIRED

8/21/02	SUPERCEDES DWG #817 DRAWN 4/20/81
DATE	REVISION
FOUNDATION FOR 34'-6" TRAFFIC SIGNAL POLE WITH 16 1/2" BOLT CIRCLE	
CITY OF CHICAGO DEPT. OF STREETS AND SANITATION BUREAU OF ELECTRICAL ENGINEERING DIVISION OF ELECTRICAL ENGINEERING	
DRAFTSMAN: B. GARNSEY	CHIEF DRAFTSMAN: R. CARTER
ELECTRICAL ENGINEER	DRAWING NO. 817
GENERAL SUPERINTENDENT B. GARNSEY	SCALE: 1 1/4" X 1 1/4"
DEPUTY SUPERINTENDENT B. GARNSEY	DATE: 8/21/02