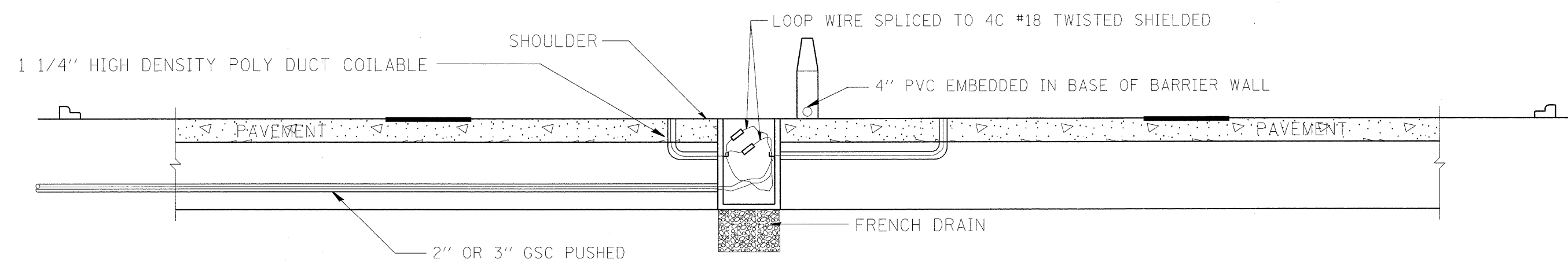


6' DIAM. INDUCTION LOOP CENTERED IN LANE 2

6' DIAM. INDUCTION LOOP CENTERED IN LANE 2

1 1/4" (30mm) OR 2" (50.0 mm) HDP TRENCHED

1 1/4" (30mm) OR 2" (50.0 mm) HDP TRENCHED



FILE NAME =	USER NAME = mezeg	DESIGNED - J.G.	REVISED -
C:\Projects\TSC\EDENS\0160C18-sh-t-plan	94.dgn	DRAWN - G.M.	REVISED -
	PLOT SCALE = 48,0000' / IN.	CHECKED - J.G.	REVISED -
	PLOT DATE = 6/29/2010	DATE - 06/28/2010	REVISED -

STATE OF ILLINOIS
DEPARTMENT OF TRANSPORTATION
 TRAFFIC SYSTEMS CENTER

TRAFFIC SURVEILLANCE SAMPLE STATION ELSTON AT EDENS			
SCALE: NONE	SHEET NO.	OF SHEETS	STA. TO STA.

F.A.I. RTE.	SECTION	COUNTY	TOTAL SHEETS	SHEET NO.
94	0101.8B	COOK	139	76D
CONTRACT NO. 60C18				
FED. ROAD DIST. NO. ILLINOIS FED. AID PROJECT				