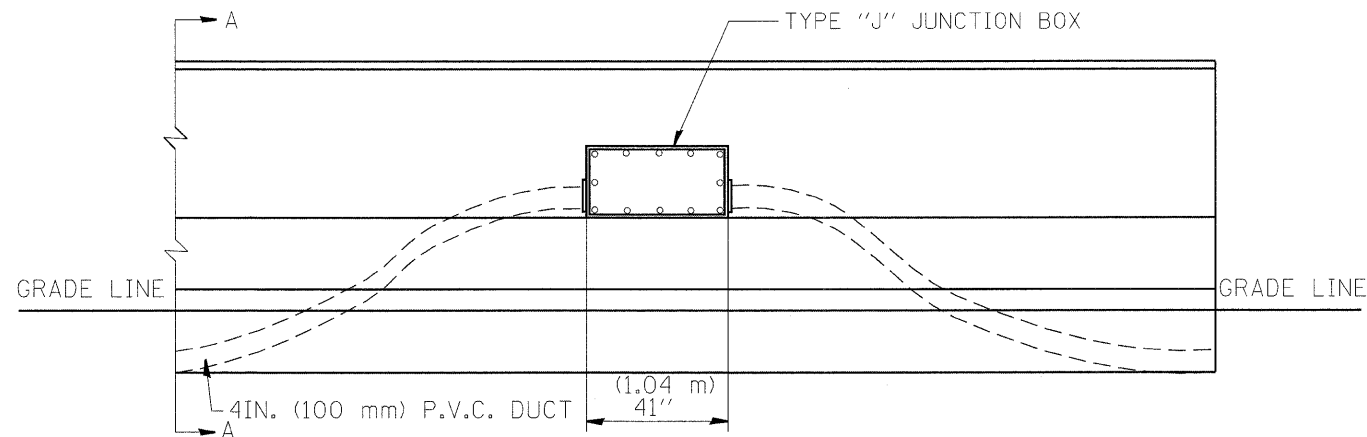
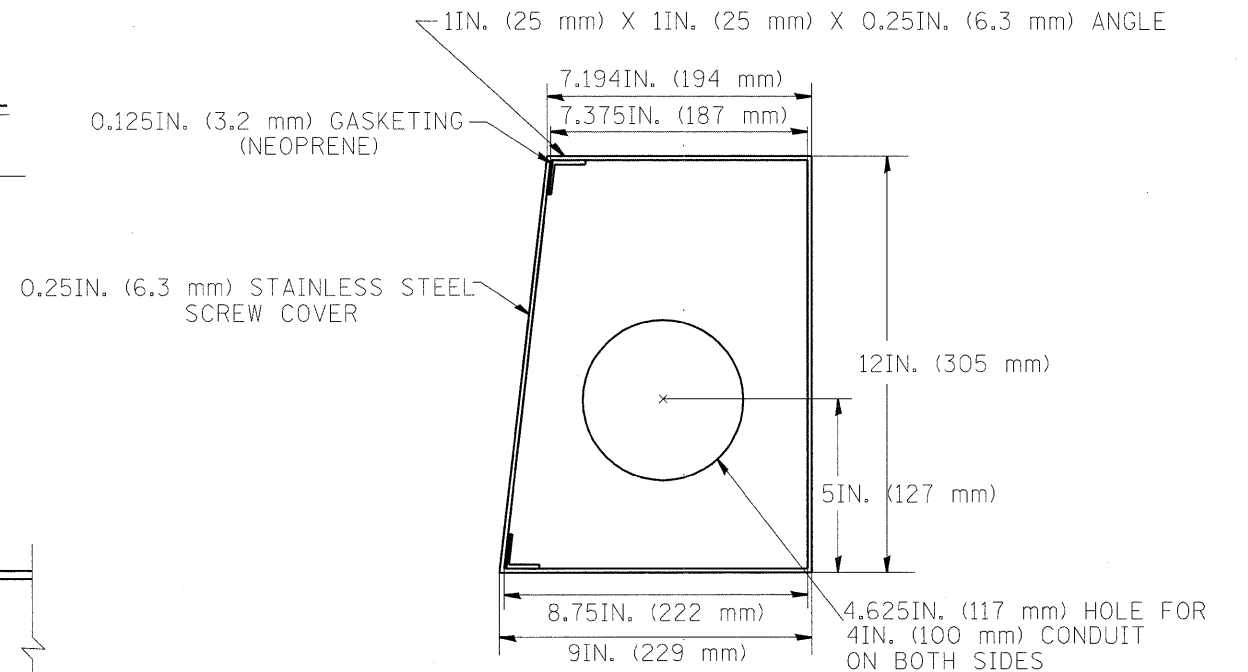


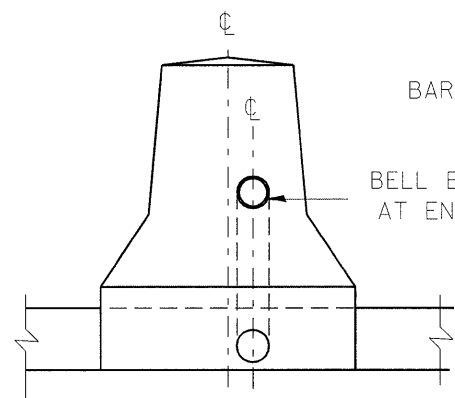
SECTION A-A



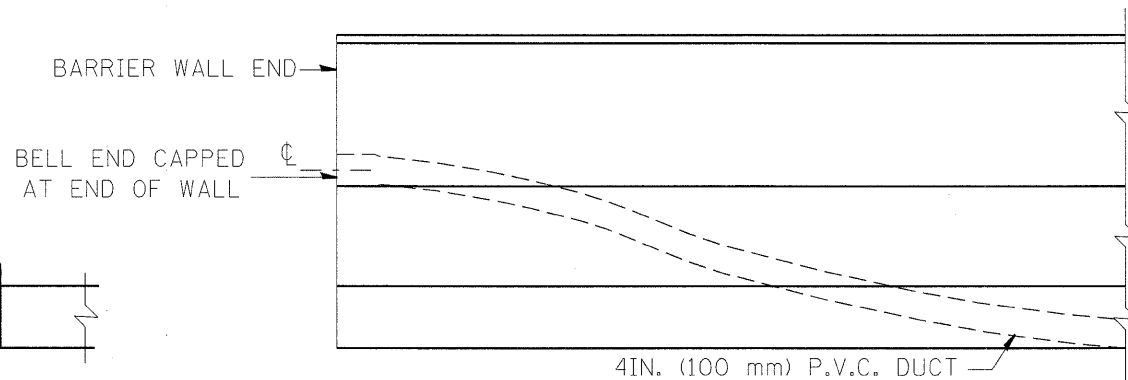
ELEVATION  
BARRIER WALL DUCT DETAIL  
1500FT. (457.2 m) INTERVAL



SIDE VIEW  
SPECIAL JUNCTION BOX TYPE "J" TO BE  
INSTALLED IN BARRIER WALL TYPE "2" ONLY



END VIEW



ELEVATION

END OF BARRIER WALL DUCT DETAIL

ALL WELDS SHALL BE CONTINUOUS AND LEAK PROOF  
BOX AND COVER SHALL BE 0.25IN. (6.4 mm) TYPE 316 STAINLESS STEEL

BARRIER WALL SHALL BE GAPPED A MINIMUM OF 15FT. (4.57 m) FOR PROPER PLACEMENT OF JUNCTION BOX TYPE "J"  
AND FOR A SMOOTH TRANSITION OF 4IN. (100 mm) PVC SURVEILLANCE DUCT(S) FROM BARRIER WALL FOOTER INTO JUNCTION BOX.

FILE NAME = C:\Projects\TSC\TYPICALS\TSC\TYF08B.dgn	USER NAME = mezag	DESIGNED - R.L.	REVISED - 06/94	<b>STATE OF ILLINOIS DEPARTMENT OF TRANSPORTATION TRAFFIC SYSTEMS CENTER</b>	<b>TRAFFIC SURVEILLANCE BARRIER WALL DUCT DETAILS</b>		F.A.I. RTE. 94	SECTION 0101.8B	COUNTY COOK	TOTAL SHEETS 139	SHEET NO. 76E	
PLOT SCALE = 100.0000 "/ IN.	CHECKED - R.L.	REVISED - 10/96	REVISED - 02/94		SCALE:	SHEET NO.	OF SHEETS	STA.	TO STA.	CONTRACT NO. 60C18		
PLOT DATE = 6/29/2010	DATE - 06/22/94	REVISED -	REVISED -		FED. ROAD DIST. NO. ILLINOIS FED. AID PROJECT							
<b>TRAFFIC SYSTEMS CENTER (TY-1TSC-663#4)</b>												