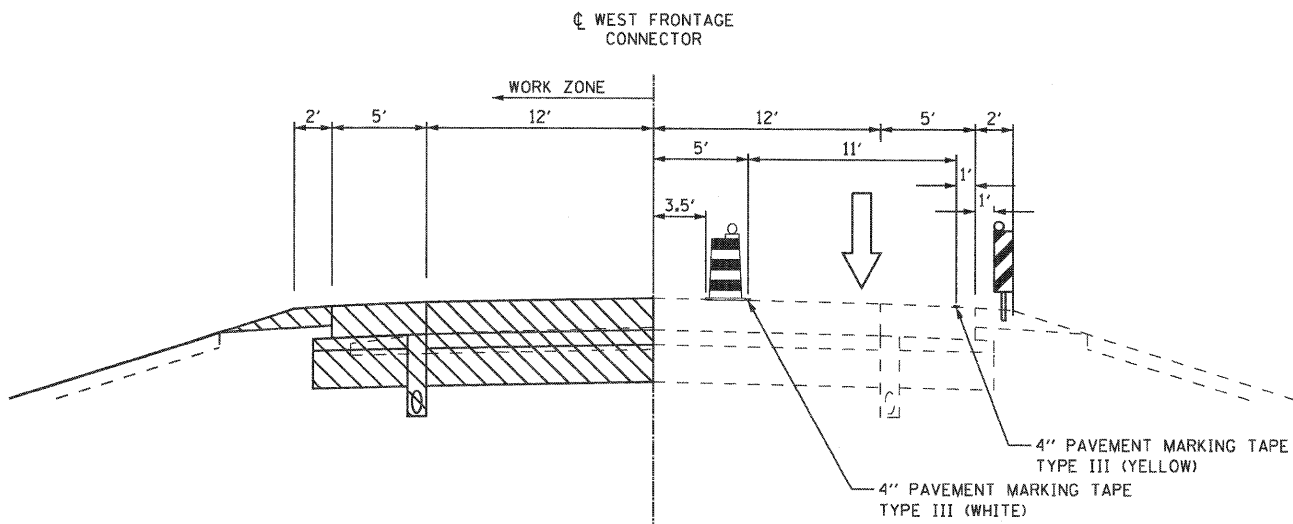
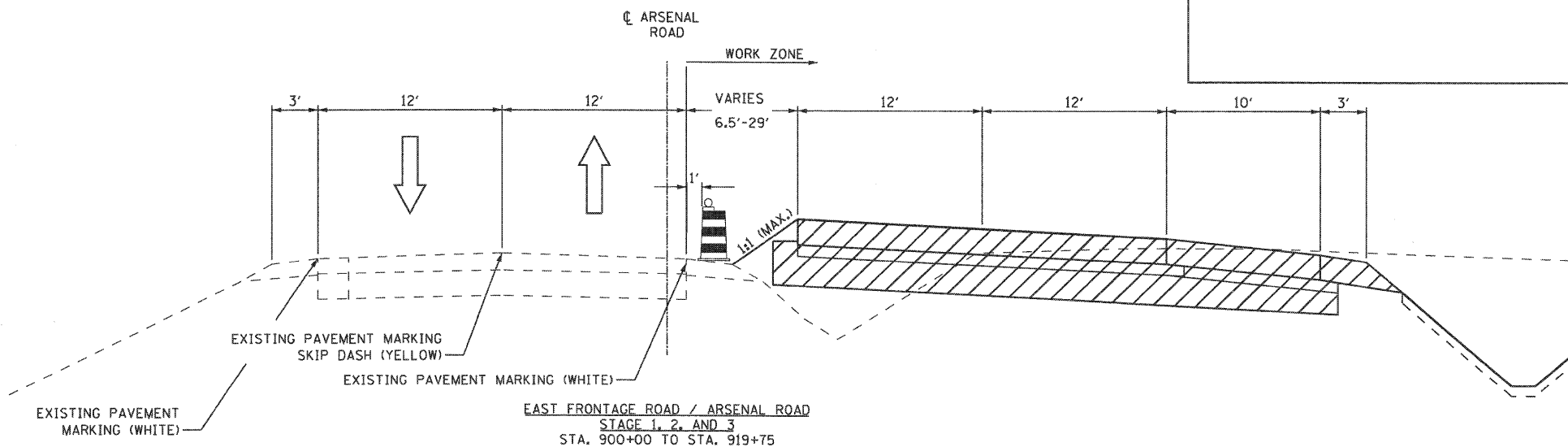


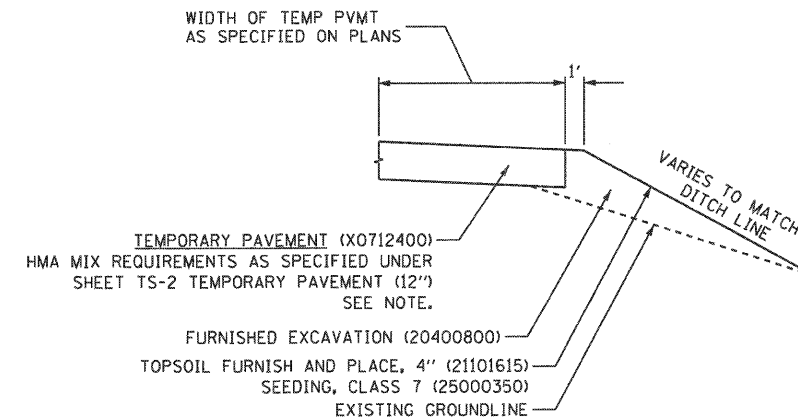
WEST FRONTAGE CONNECTOR
 STAGE 2
 STA. 6024+07 TO STA. 6077+54



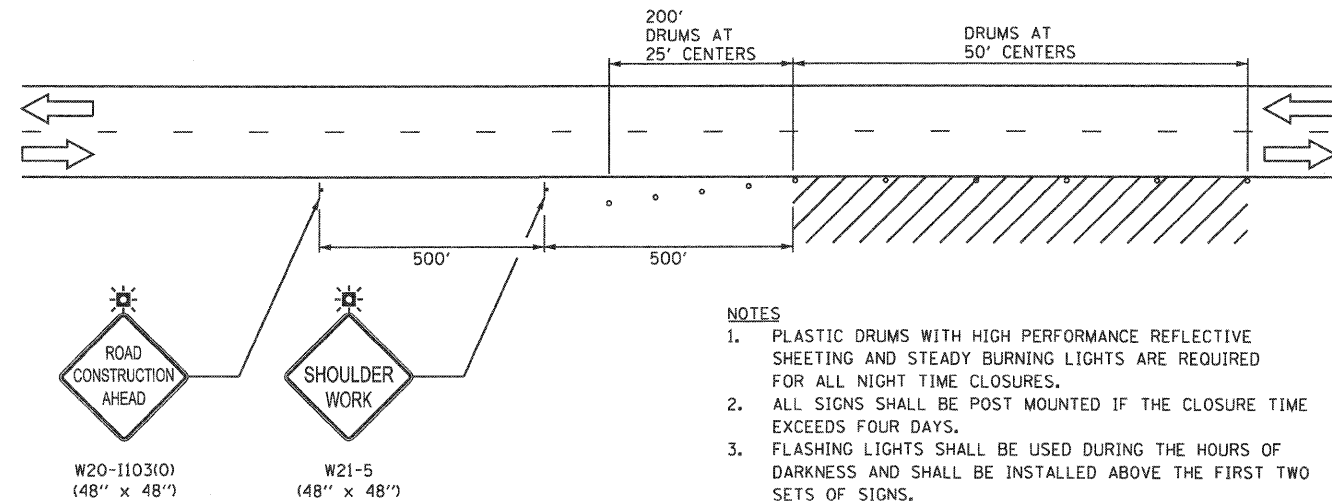
WEST FRONTAGE CONNECTOR
 STAGE 3
 STA. 6024+07 TO STA. 6077+54



EAST FRONTAGE ROAD / ARSENAL ROAD
 STAGE 1, 2, AND 3
 STA. 900+00 TO STA. 919+75



DETAIL A
 TEMPORARY PAVEMENT
 FOR SHOULDER WIDENING
 NOTE: THE CONTRACTOR SHALL HAVE THE OPTION OF INSTALLING 10" PCC PAVEMENT OR 12" HMA PAVEMENT AS TEMPORARY PAVEMENT.



- NOTES**
1. PLASTIC DRUMS WITH HIGH PERFORMANCE REFLECTIVE SHEETING AND STEADY BURNING LIGHTS ARE REQUIRED FOR ALL NIGHT TIME CLOSURES.
 2. ALL SIGNS SHALL BE POST MOUNTED IF THE CLOSURE TIME EXCEEDS FOUR DAYS.
 3. FLASHING LIGHTS SHALL BE USED DURING THE HOURS OF DARKNESS AND SHALL BE INSTALLED ABOVE THE FIRST TWO SETS OF SIGNS.

DETAIL B
 WORK ZONE ADJACENT
 TO EDGE OF PAVEMENT

LEGEND
 CONSTRUCTION AREA

FILE NAME = ...VD160C31-SHT-STAGING02.dgn	USER NAME = g-01	DESIGNED - GR	REVISED -
		DRAWN - GR	REVISED -
		CHECKED - RY	REVISED -
		DATE - 12/18/2009	REVISED -

**STATE OF ILLINOIS
 DEPARTMENT OF TRANSPORTATION**

**MAINTENANCE OF TRAFFIC
 TYPICAL SECTIONS AND DETAILS**

SCALE: NONE SHEET NO. 1 OF 1 SHEETS STA. TO STA.

F.A.I. RTE. 55	SECTION (99-1&2)-3	COUNTY WILL	TOTAL SHEETS 524	SHEET NO. 88
CONTRACT NO. 60C31				
FED. ROAD DIST. NO. 1 ILLINOIS FED. AID PROJECT				