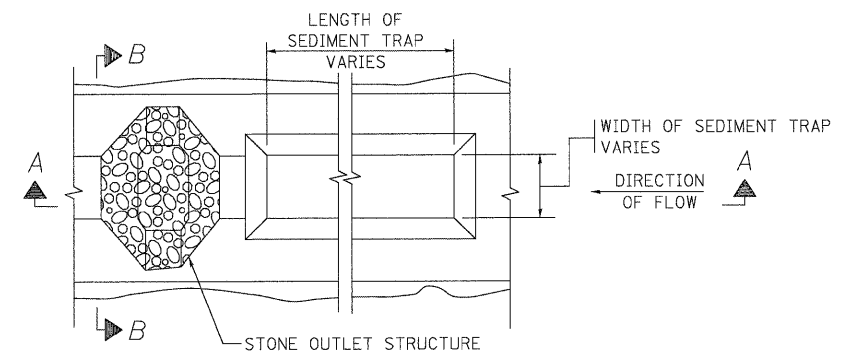
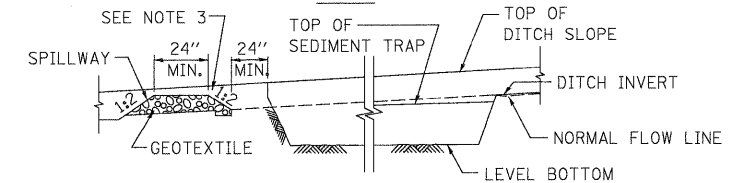


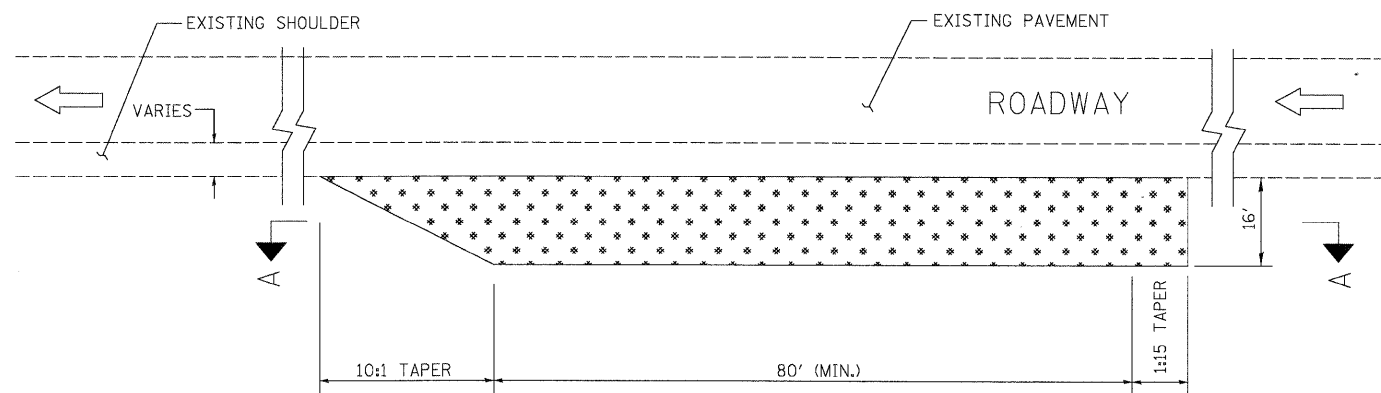
SECTION A-A
N.T.S.



PLAN



SECTION A-A



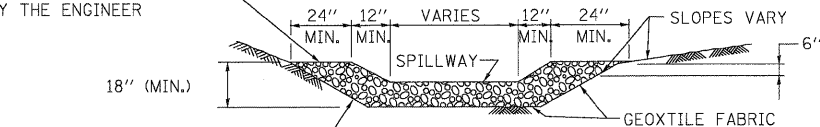
PLAN
N.T.S.

LEGEND



STABILIZED AGGREGATE DRIVEWAY

TOP ELEVATION OF STRUCTURE SHALL BE SET IN FIELD AS DIRECTED BY THE ENGINEER



SECTION B-B

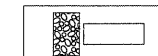
CUT SIDE SLOPES IN SEDIMENT TRAP AS STEEP AS SOIL CONDITIONS WILL ALLOW

NOTES:

1. USE IN EXISTING, PROPOSED AND TEMPORARY DITCHES OF ALL TYPES AS SHOWN ON PLANS OR AS DIRECTED BY THE ENGINEER.
2. THE STONE OUTLET STRUCTURES SHALL BE REPLACED DUE TO WASHOUT, CONSTRUCTION TRAFFIC DAMAGE OR SILT ACCUMULATION. THE SILT SHALL BE CLEANED WHEN THE TRAP IS 50% FULL.
3. THIS WORK WILL BE PAID FOR UNDER THE FOLLOWING ITEMS: EARTH EXCAVATION FOR EROSION CONTROL, STONE RIPRAP, CLASS A4 AND FILTER FABRIC.
4. ALL SEDIMENT TRAPS SHALL BE DESIGNED TO PROVIDE 3600 CUBIC FEET OF STORAGE PER 1.0 ACRE OF DRAINAGE AREA.

STONE OUTLET STRUCTURE SEDIMENT TRAP

STANDARD SYMBOL



DRAINAGE AREA	L	W	CAPACITY CFT
0.5 AC	75'	10'	1,875
1.0 AC	145'	10'	3,625
1.5 AC	145'	15'	5,438
2.0 AC	195'	15'	7,313

NOTE:
ALL DIMENSIONS ARE BASED UPON AN AVERAGE DEPTH OF 30" AND PROVIDING, AS A MINIMUM 3,600 CUBIC FEET OF STORAGE PER ACRE OF RUNOFF. L AND W ARE MEASURED ALONG THE BOTTOM OF THE TRAP. WHENEVER POSSIBLE, THE MAXIMUM AVERAGE DEPTH OF THE TRAP WILL BE 30". THE MAXIMUM DRAINAGE AREA ALLOWED PER TRAP IS 5 ACRES. THE DRAINAGE AREA IS THE TOTAL (INCLUDING OFF-SITE) AREA.

CONSTRUCTION SPECIFICATIONS AND NOTES

1. STABILIZED CONSTRUCTION ENTRANCE
A. LENGTH - AS REQUIRED, BUT NOT LESS THAN 80 FEET.
B. THICKNESS - NOT LESS THAN 4", ABOVE TOP OF CELLULAR CONFINEMENT GRID.
2. EXISTING DITCH DRAINAGE TO BE MAINTAINED.
3. GRADE FILL TO 1:10 ON APPROACH SIDE OF ENTRANCE

STABILIZED CONSTRUCTION ENTRANCE

STANDARD SYMBOL

