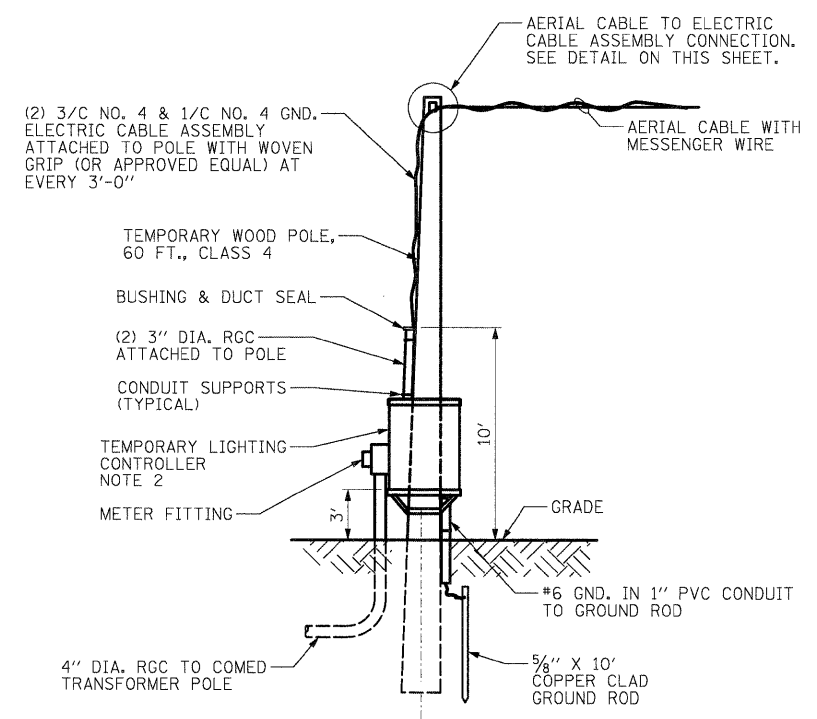
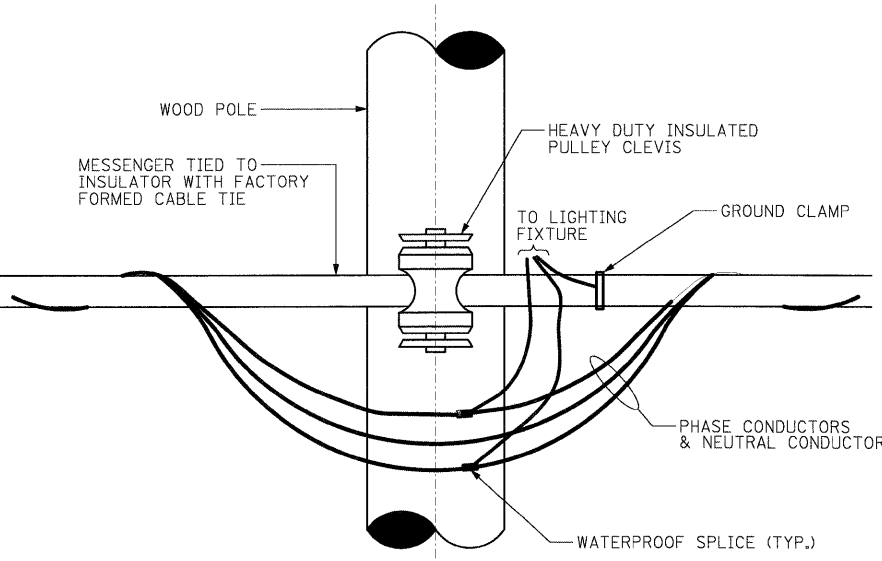


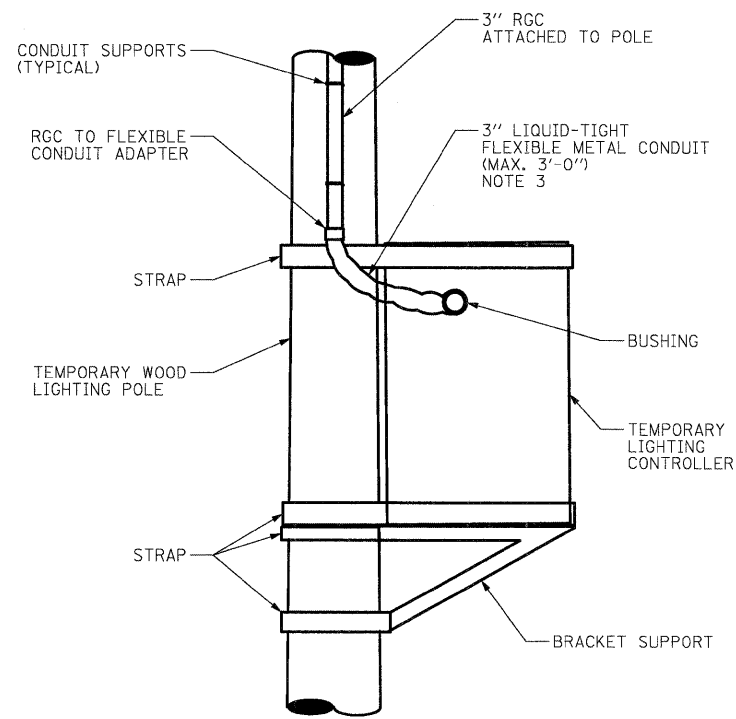
AERIAL CABLE TO ELECTRIC CABLE ASSEMBLY  
 CONNECTION DETAIL  
 N.T.S.



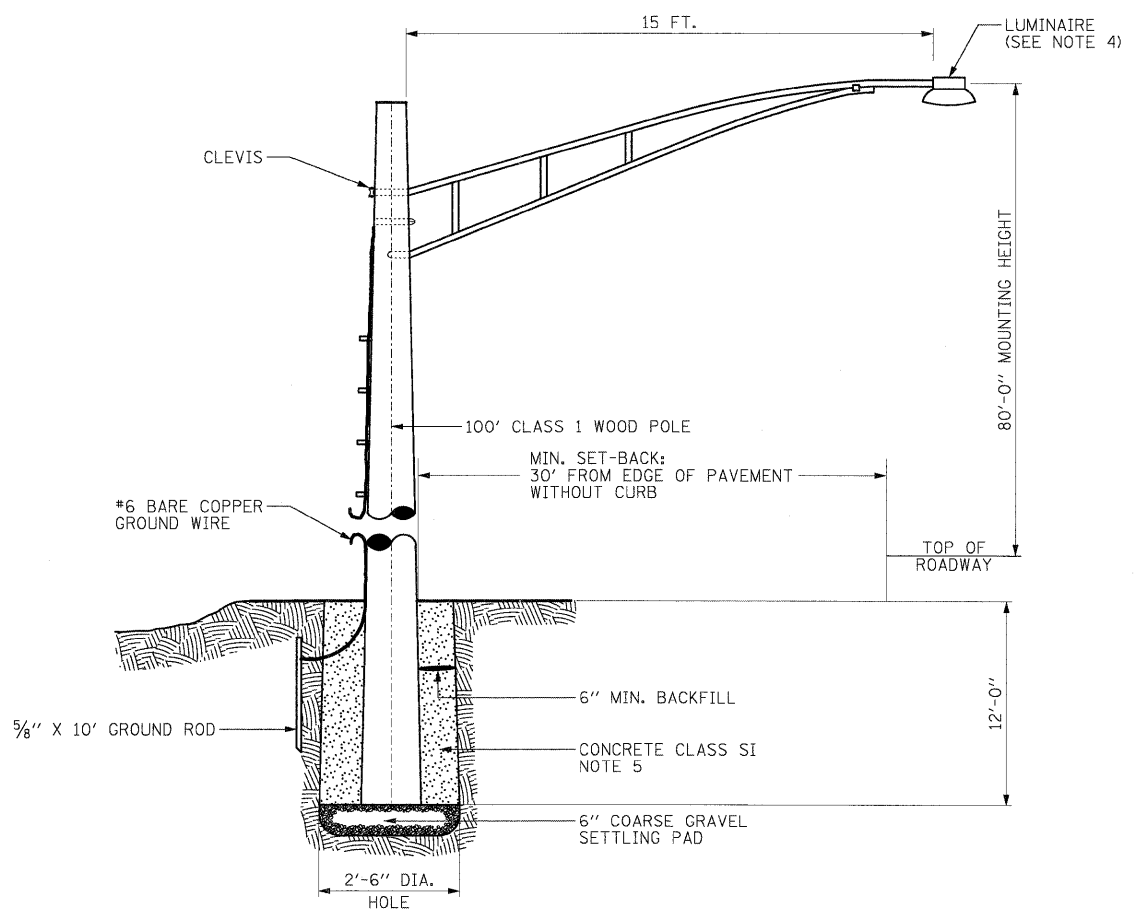
TEMPORARY LIGHTING CONTROLLER  
 INSTALLATION DETAIL  
 N.T.S.



TEMPORARY LIGHT POLE CABLE ATTACHMENT DETAIL  
 N.T.S.



TEMPORARY LIGHTING CONTROLLER  
 WIRING INSTALLATION DETAIL  
 N.T.S.



TEMPORARY LIGHT POLE INSTALLATION DETAIL  
 N.T.S.

- NOTES:**
1. TEMPORARY WOOD POLE AND CONTROLLER MOUNTING HARDWARE AND RELATED APPURTENANCES SHALL BE INCLUDED IN TEMPORARY LIGHTING CONTROLLER PAY ITEM.
  2. SEE DRAWING RL-D2 FOR CONTROLLER CABINET DETAILS AND RL-D3 FOR CONTROLLER WIRING DIAGRAM.
  3. THE COST OF ALL CONDUITS ATTACHED TO WOOD POLE, GROUND ROD, AND GROUND WIRES SHALL BE INCLUDED IN THE COST OF ELECTRIC SERVICE INSTALLATION PAY ITEM. NO SEPARATE PAYMENT WILL BE MADE.
  4. TEMPORARY LUMINAIRE SHALL BE HORIZONTAL MOUNTED 750W HPS, HIGH MAST LUMINAIRE.
  5. THE COST OF CLASS SI CONCRETE SHALL BE INCLUDED IN THE COST OF "LIGHT POLE, WOOD, 100 FOOT, CLASS 1, WITH 15FT MAST ARM" PAY ITEM. NO SEPARATE PAYMENT WILL BE MADE.

FILE NAME =  
 D160C31-SH7-EDetail101.dgn

USER NAME = TKluegel  
 PLOT SCALE = 1:1  
 PLOT DATE = 12/11/2009

DESIGNED - JLW  
 DRAWN - CJM  
 CHECKED - KMY  
 DATE - 12/18/09

REVISED -  
 REVISED -  
 REVISED -  
 REVISED -

STATE OF ILLINOIS  
 DEPARTMENT OF TRANSPORTATION

I-55 AT ARSENAL ROAD  
 TEMPORARY LIGHTING DETAILS

SCALE: AS NOTED SHEET NO. 1 OF 4 SHEETS STA. TO STA.

F.A.I. RTE.	SECTION	COUNTY	TOTAL SHEETS	SHEET NO.
55	(99-1&2)AC-3	WILL	524	295
FED. ROAD DIST. NO. 1 (ILLINOIS) FED. AID PROJECT			CONTRACT NO. 60C31	