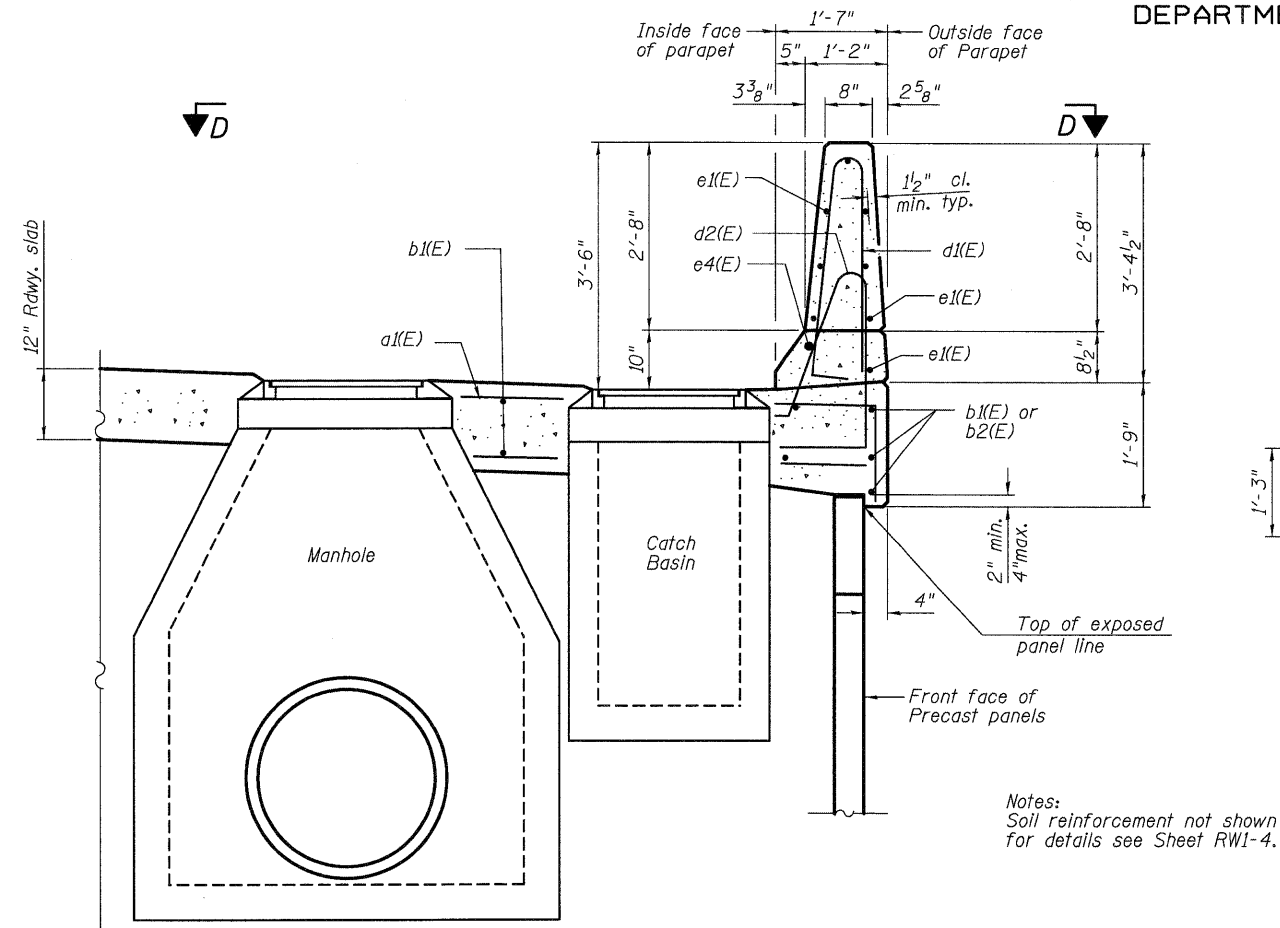


STATE OF ILLINOIS
DEPARTMENT OF TRANSPORTATION

BILL OF MATERIAL

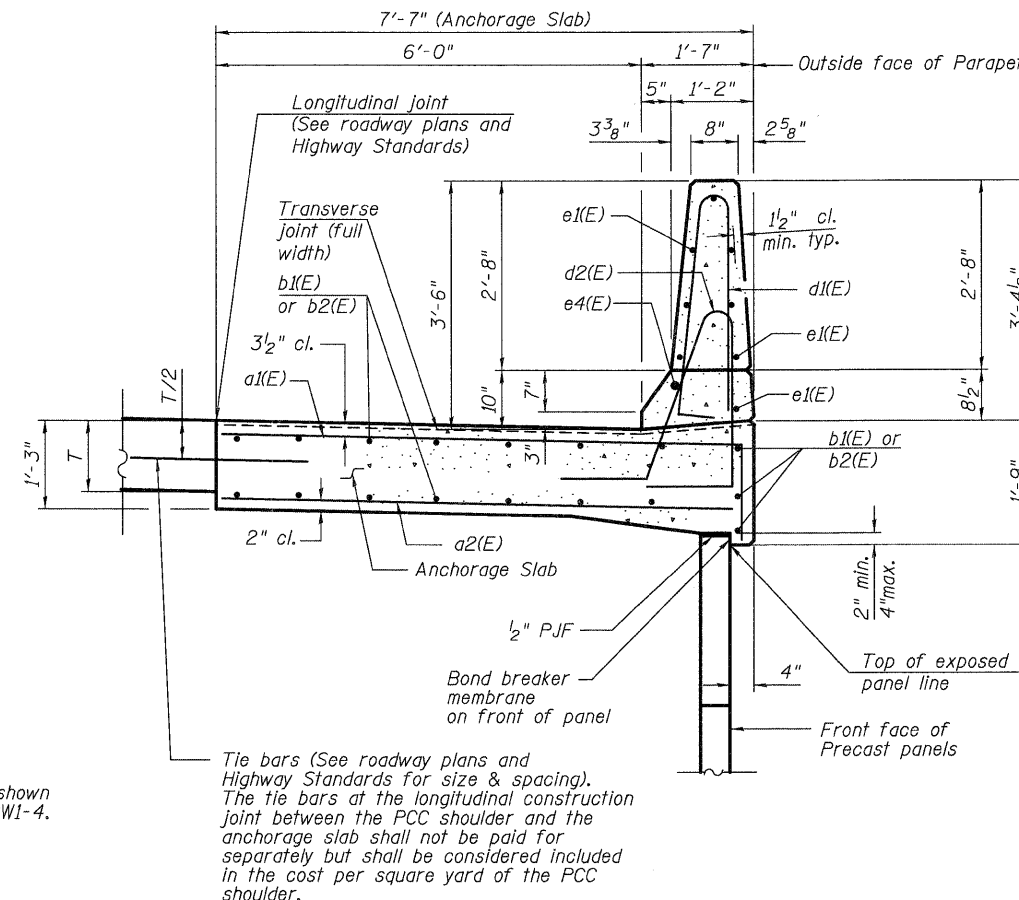
Bar	No.	Size	Length	Shape
a1(E)	804	#6	8'-7"	—
a2(E)	804	#6	7'-3"	—
b1(E)	408	#5	31'-3"	—
b2(E)	51	#5	26'-3"	—
d1(E)	901	#5	6'-10"	—
d2(E)	901	#5	7'-5"	—
e1(E)	424	#4	14'-8"	—
e4(E)	53	#8	14'-8"	—
h1(E)	128	#5	5'-0"	—
Structure Excavation		Cu. Yd.	675	
Concrete Structures		Cu. Yd.	400	
Reinforcement Bars, Epoxy Coated		Pound	54,104	
Mechanically Stabilized Earth Retaining Wall		Sq. Ft.	6,580	
Removal and Disposal of unsuitable material for Structures		Cu. Yd.	277.3	

Notes:
Bars indicated thus 8x3-#5 indicates 8 lines of bars with 3 lengths per line.
Anchorage slab & parapet will be paid under item "Concrete Structures".



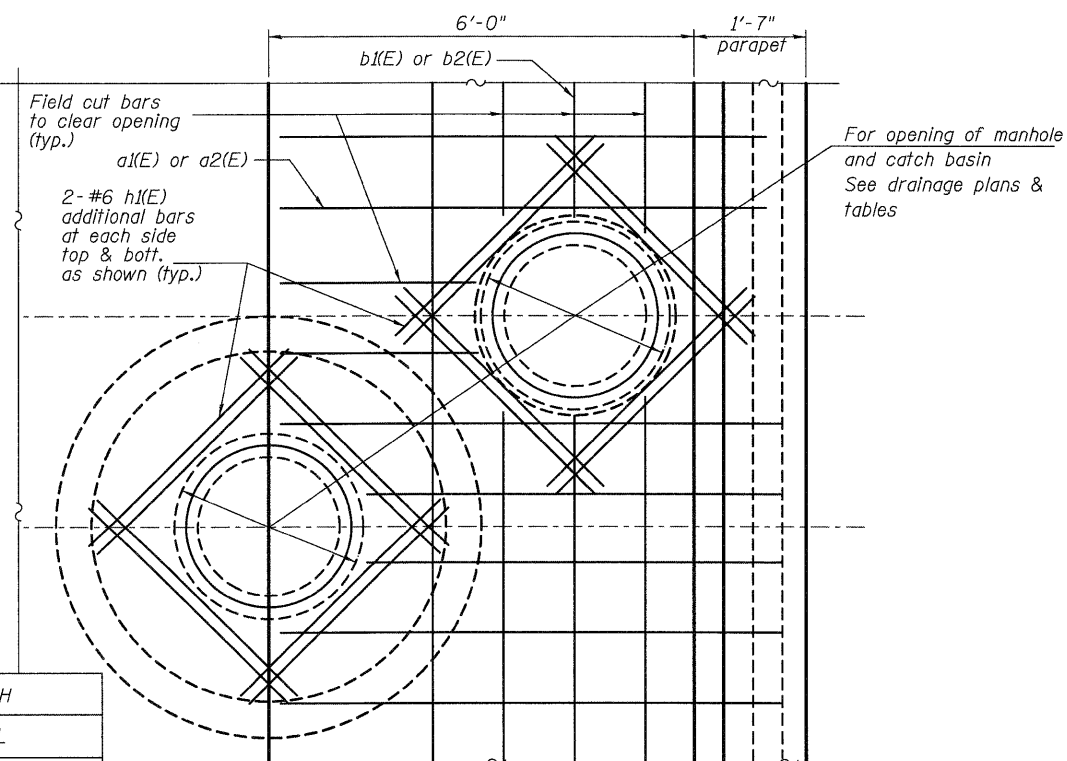
DETAIL "2"

SECTION THRU ANCHORAGE SLAB & PARAPET (AT DRAINAGE STRUCTURES)



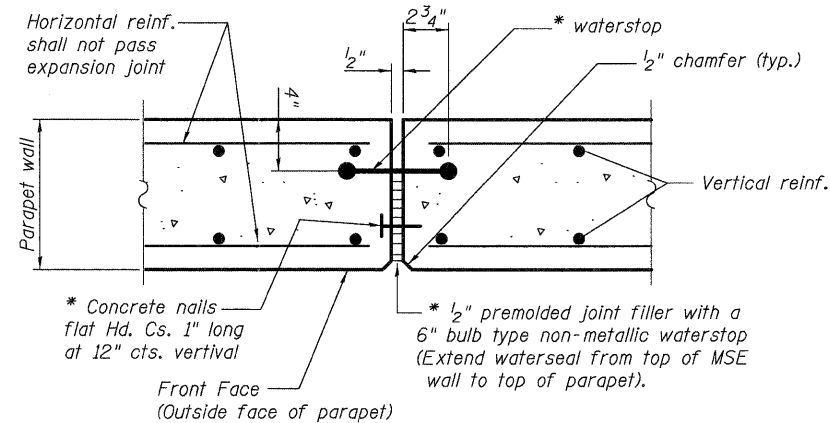
DETAIL "1"

SECTION THRU ANCHORAGE SLAB & PARAPET



VIEW D-D

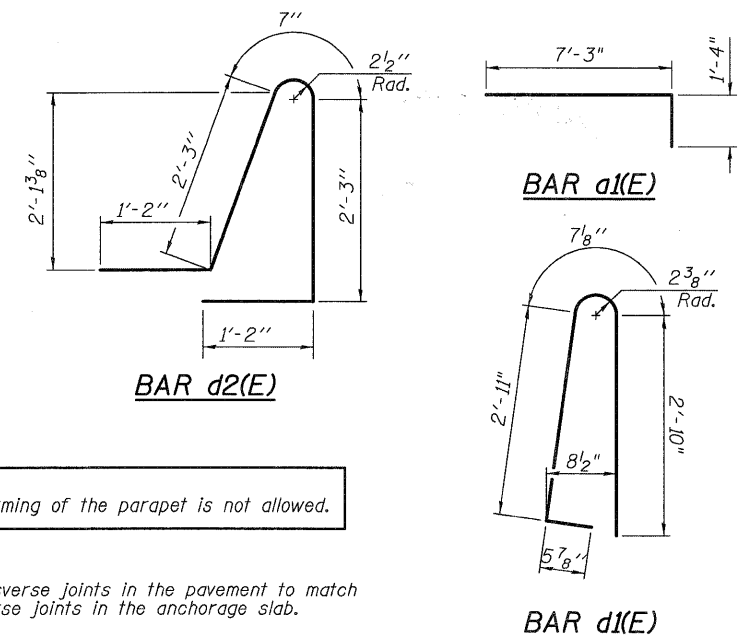
(PLAN AT DRAINAGE STRUCTURES)



EXPANSION JOINT DETAILS

For expansion joints in anchorage slab see Roadway Plans and Highway Standards. (STD 420001-07)

* Cost included with "Concrete Structures".



Note:
Slip forming of the parapet is not allowed.

Note:
1. Transverse joints in the pavement to match transverse joints in the anchorage slab.

SECTIONS AND DETAILS
STRUCTURE NO. 099-W026

DESIGNED	PMH
CHECKED	MJL
DRAWN	RJ
CHECKED	BKB

McDonough Associates Inc.
Engineers / Architects
130 East Randolph Street
Chicago, Illinois 60601
(312) 946-8600

SHEET NO.	F.A.I. RTE.	SECTION	COUNTY	TOTAL SHEETS	SHEET NO.
RW1-5	55	(99-1&2) AC-3	WILL	524	306
SHEETS					
RW1-9					
CONTRACT NO. 60C31					
FED. ROAD DIST. NO. 1 ILLINOIS FED. AID PROJECT					