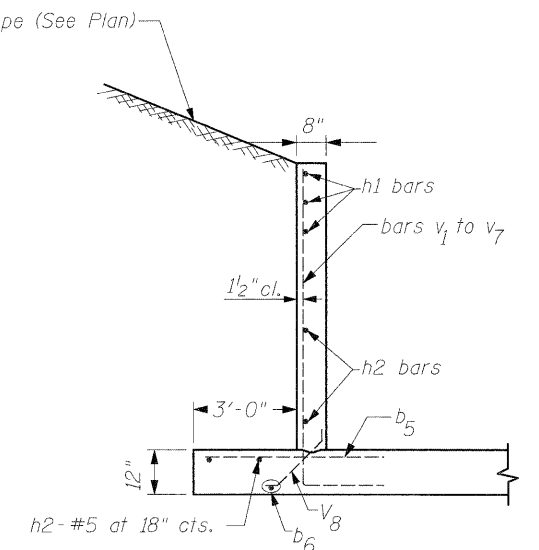
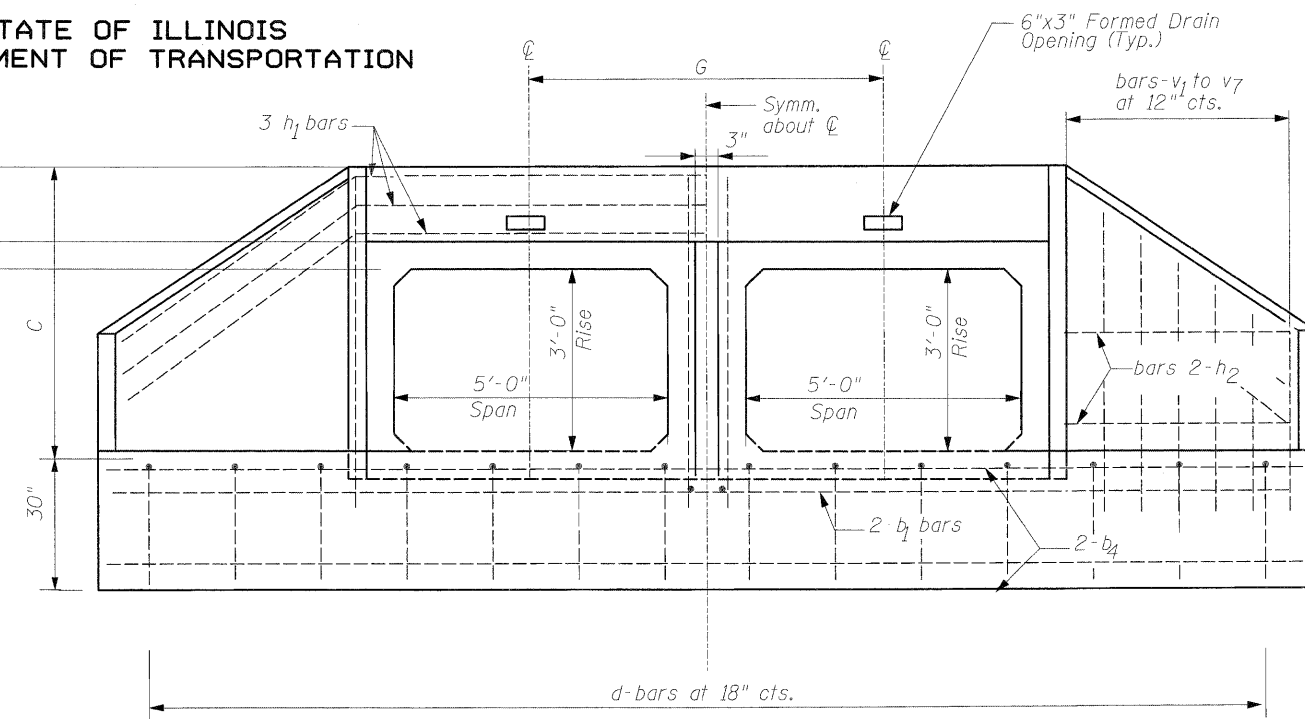
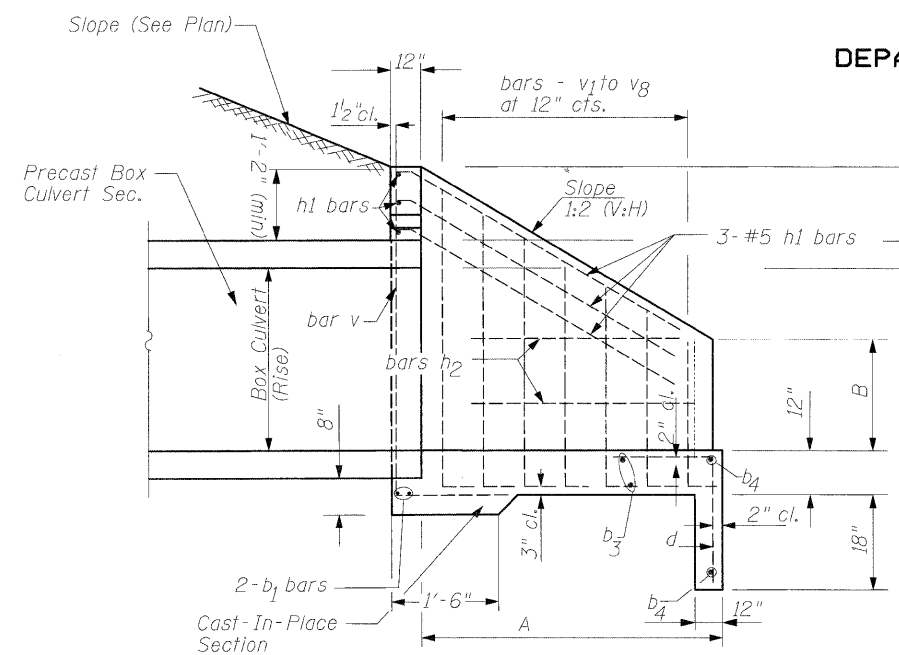


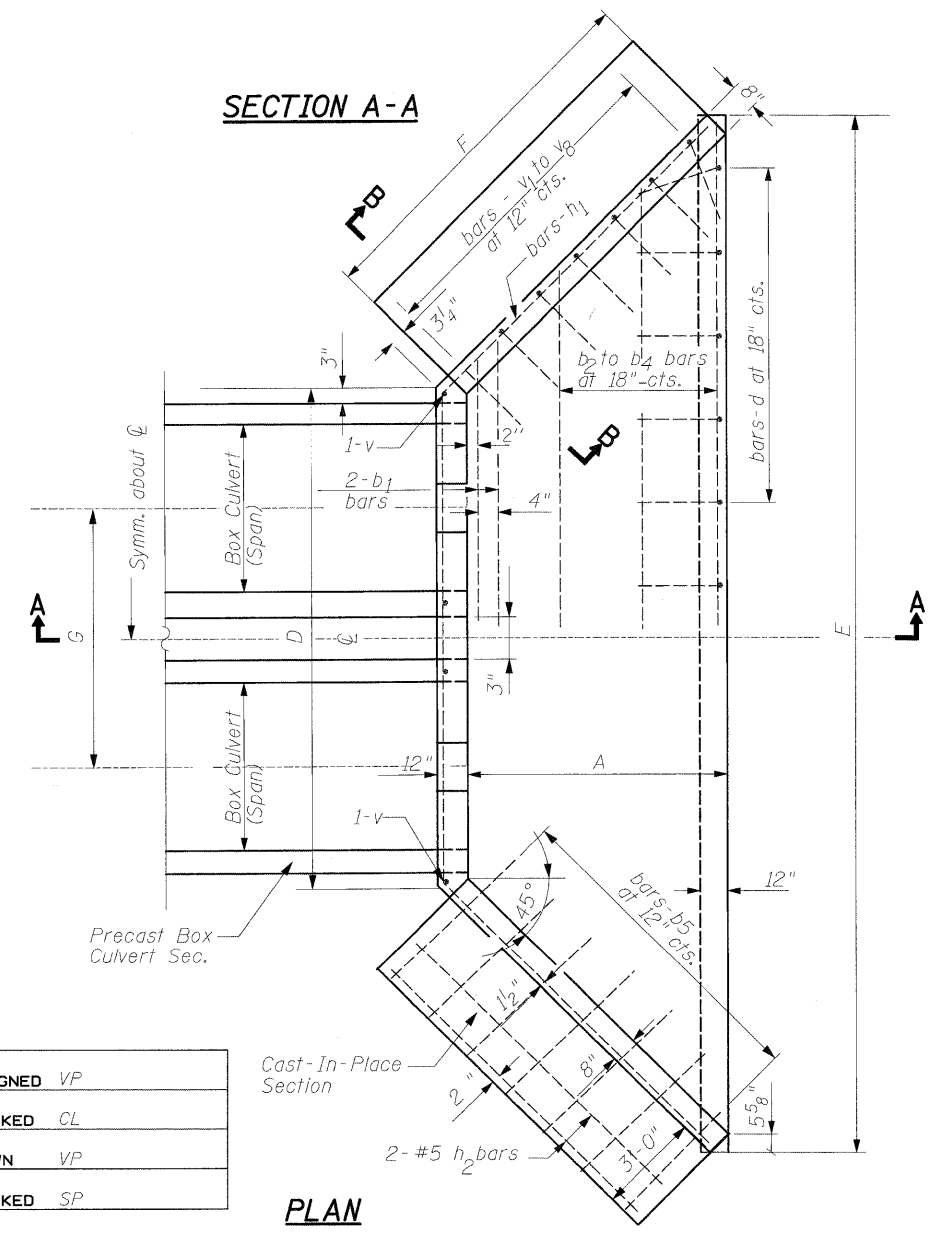
STATE OF ILLINOIS
DEPARTMENT OF TRANSPORTATION



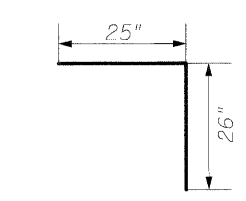
SECTION B-B

SECTION A-A

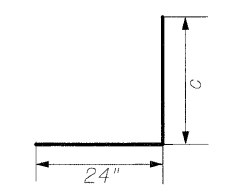
END ELEVATION



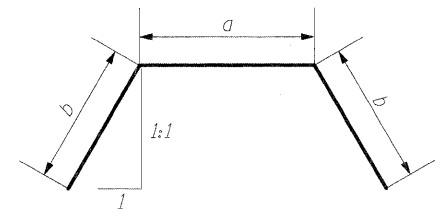
PLAN



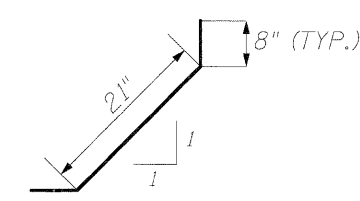
No. 4 BAR-d



BARS - v₁ to v₇



BARS-h₁
Bend in field



BARS-v₈

BARS IN ONE END SECTION

Box Culvert 5'x3'	Bars	No.
	d	16
	b ₁	2
	b ₂	1
	b ₃	2
	b ₄	2
	b ₅	14
	b ₆	2
	h ₁	3
	h ₂	4
	v	4
	v ₁	2
	v ₂	2
	v ₃	2
	v ₄	2
	v ₅	2
	v ₆	2
	v ₇	2
	v ₈	14

DIMENSIONS OF STRAIGHT BARS

Bar	Size	Length
b ₁	No. 5	12'-9"
b ₂	No. 4	15'-9"
b ₃	No. 4	18'-9"
b ₄	No. 4	21'-9"
b ₅	No. 4	5'-0"
b ₆	No. 4	6'-3"
h ₂	No. 5	9'-8"

DIMENSIONS OF BENT BARS

No. 5 - bars h ₁			
BARS	a	b	Total Length
h ₁	12'-5"	6'-8"	25'-9"
No. 5 - bars v to v ₇			
BARS	c	Total Length	
v	5'-1"	7'-1"	
v ₁	5'-1"	7'-1"	
v ₂	4'-9"	6'-9"	
v ₃	4'-6"	6'-6"	
v ₄	4'-2"	6'-2"	
v ₅	3'-11"	5'-11"	
v ₆	3'-8"	5'-8"	
v ₇	3'-4"	5'-4"	

DIMENSIONS AND QUANTITIES

Box Culvert	Slope of Wing Walls	Dimensions							Concrete for two (2) End Sections (Cu. Yd.)	Reinf. Bars for two (2) End Sections (Lbs.)	
		Rise	Span	A	B	C	D	E			F
36"	60"	1:2	4'-7"	34½"	4'-9"	12'-9"	21'-11"	6'-9"	6'-3"	36	885

NOTE:
1. Cast-In-Place Reinforced Concrete End Sections shall be constructed of Class SI concrete as per Article 503.

SINGH CONSULTING ENGINEERS
300 W. ADAMS ST.
CHICAGO, IL 60606
TEL: (312) 629-0240
FAX: (312) 629-8449

SHEET NO.
SHEETS

F.A.I. RTE.	SECTION	COUNTY	TOTAL SHEETS	SHEET NO.
55	(99-1&2)AC-3	WILL	524	329
Stg.8018+74 (E. Frontage Rd.)		CONTRACT NO. 60C31		
FED. RD. DIST. NO. 1		ILLINOIS FED. AID PROJECT		

12/11/2009 10:49:15 PM \$FILE\$

FINAL