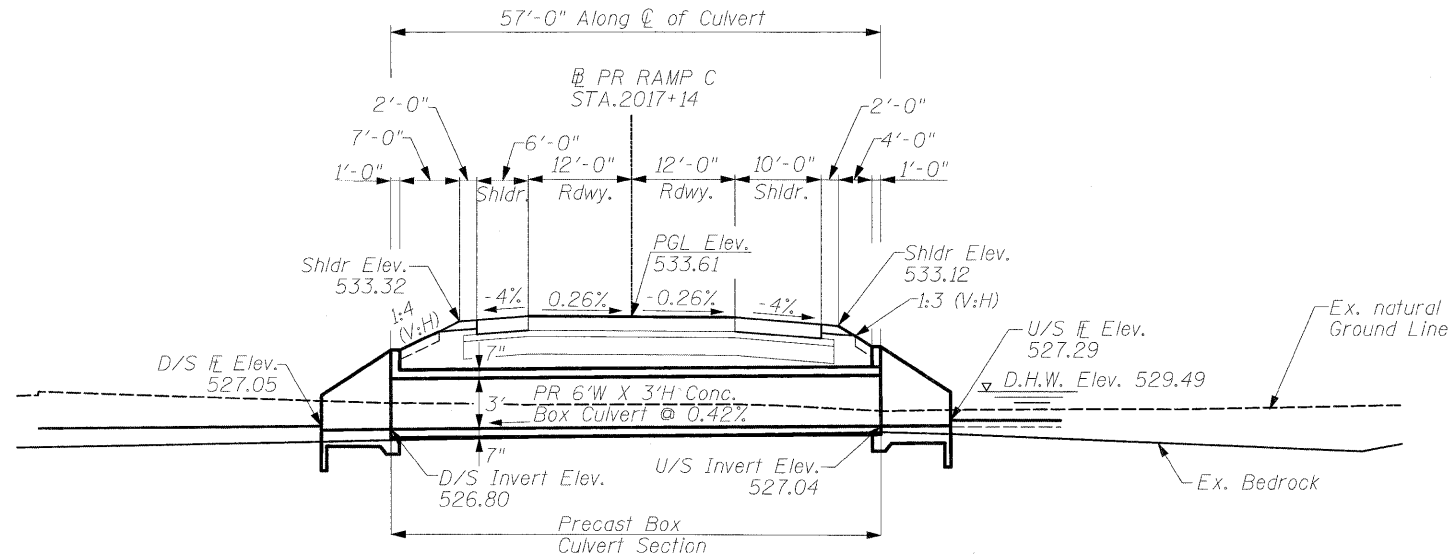
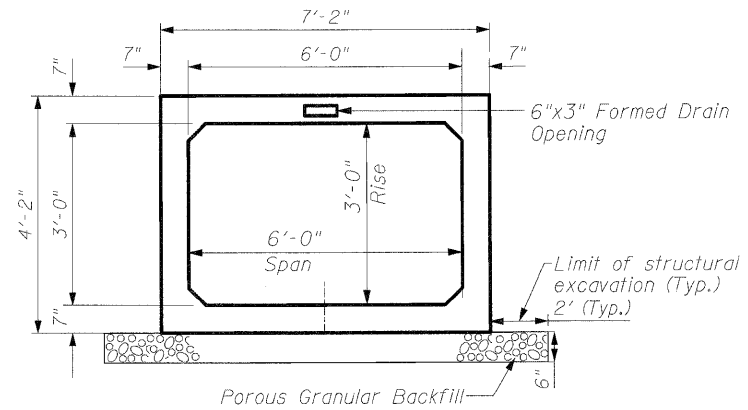


Bench Mark: BM 4
 (RR spike in 2nd power pole North of CPT 207 ±1' above ground. Elev. = 534.690)
 Existing Structures: None

STATE OF ILLINOIS
 DEPARTMENT OF TRANSPORTATION



LONGITUDINAL SECTION
 N.T.S.



SECTION THRU BARREL
 N.T.S.

DESIGN SPECIFICATIONS
 AASHTO 2002

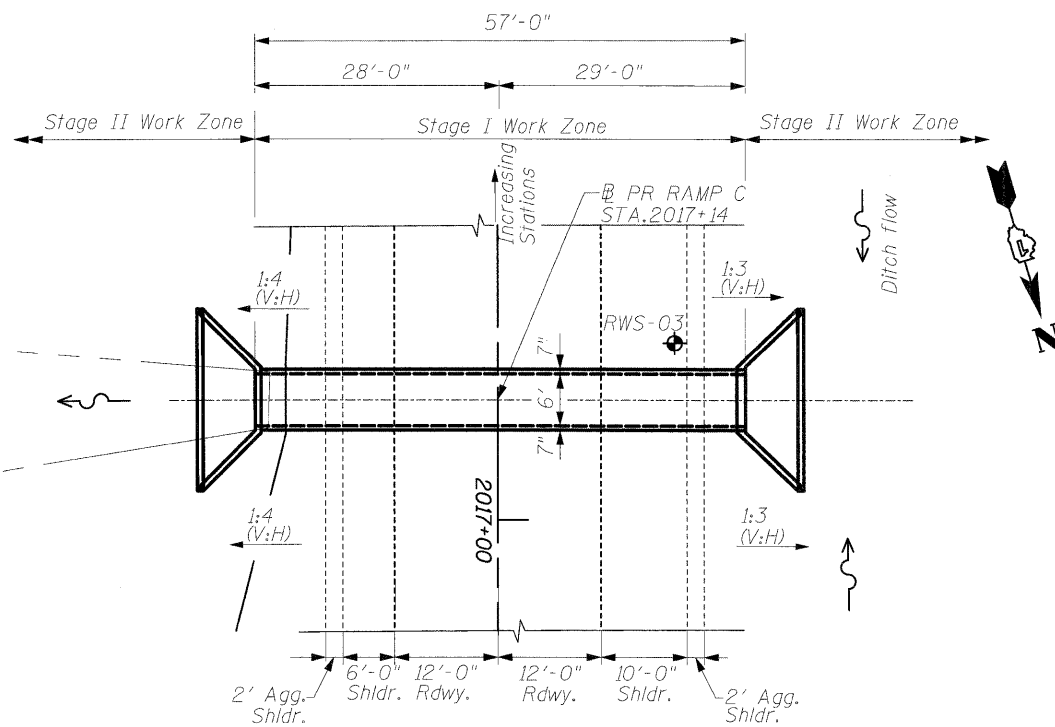
LOADING HS-20-44
 Allow 50 lbs/sq. ft. for future wearing surface.

DESIGN STRESSES

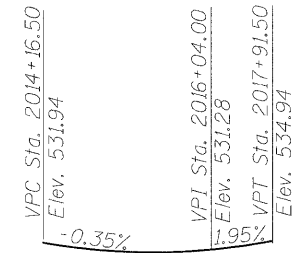
FIELD UNITS
 Cast-In-Place Units
 $f'_c = 3,500$ psi (Concrete)
 $f_y = 60,000$ psi (Reinforcement)
 Precast Units
 $f'_c = 5,000$ psi (Concrete)
 $f_y = 65,000$ psi (Welded Wire Fabric)

SEISMIC DATA

Seismic Performance Zone (SPC) = A
 Bedrock Acceleration Coeff.(A) = 0.04g
 Site Coefficient (S) = 1.0



PLAN
 N.T.S.



PROFILE GRADE
 (Along Ramp C)

WATERWAY INFORMATION

Drainage Area = 0.0296 sq. mi. Low Grade Elev. 533.12 @ Sta. 2017+14

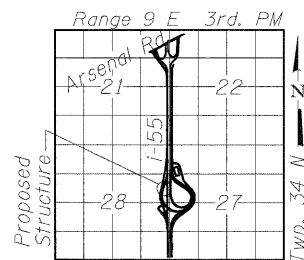
Flood	Freq. Yr.	Q C.F.S.	Opening Sq.Ft.		Nat. H.W.E.	Head -Ft.		Headwater El.	
			Exist.	Prop.		Exist.	Prop.	Exist.	Prop.
Design	50	59.5	N/A	7.8	527.65	N/A	1.84	N/A	529.49
Base	100	69.0	N/A	8.7	528.03	N/A	1.71	N/A	529.74
Overtopping		145.80							

**GENERAL PLAN & ELEVATION-RAMP C
 OVER UNNAMED DITCH
 F.A.I. ROUTE 55 - SEC. (99-1&2)AC-3
 WILL COUNTY
 STATION 2017+14**

DESIGNED	VP
CHECKED	CL
DRAWN	VP
CHECKED	SP

LEGEND

◆ - Soil Boring Location



LOCATION SKETCH

SINGH
 SINGH & ASSOCIATES, INC.
 CONSULTING ENGINEERS
 300 W. ADAMS ST.
 CHICAGO, IL 60606
 TEL: (312) 629-0240
 FAX: (312) 629-8449

SHEET NO. SHEETS	F.A.I. RTE. 55	SECTION (99-1&2)AC-3	COUNTY WILL	TOTAL SHEETS 524	SHEET NO. 333
	Sta. 2017+14 (Ramp C)		CONTRACT NO. 60C31		
FED. RD. DIST. NO. 1		ILLINOIS FED. AID PROJECT			