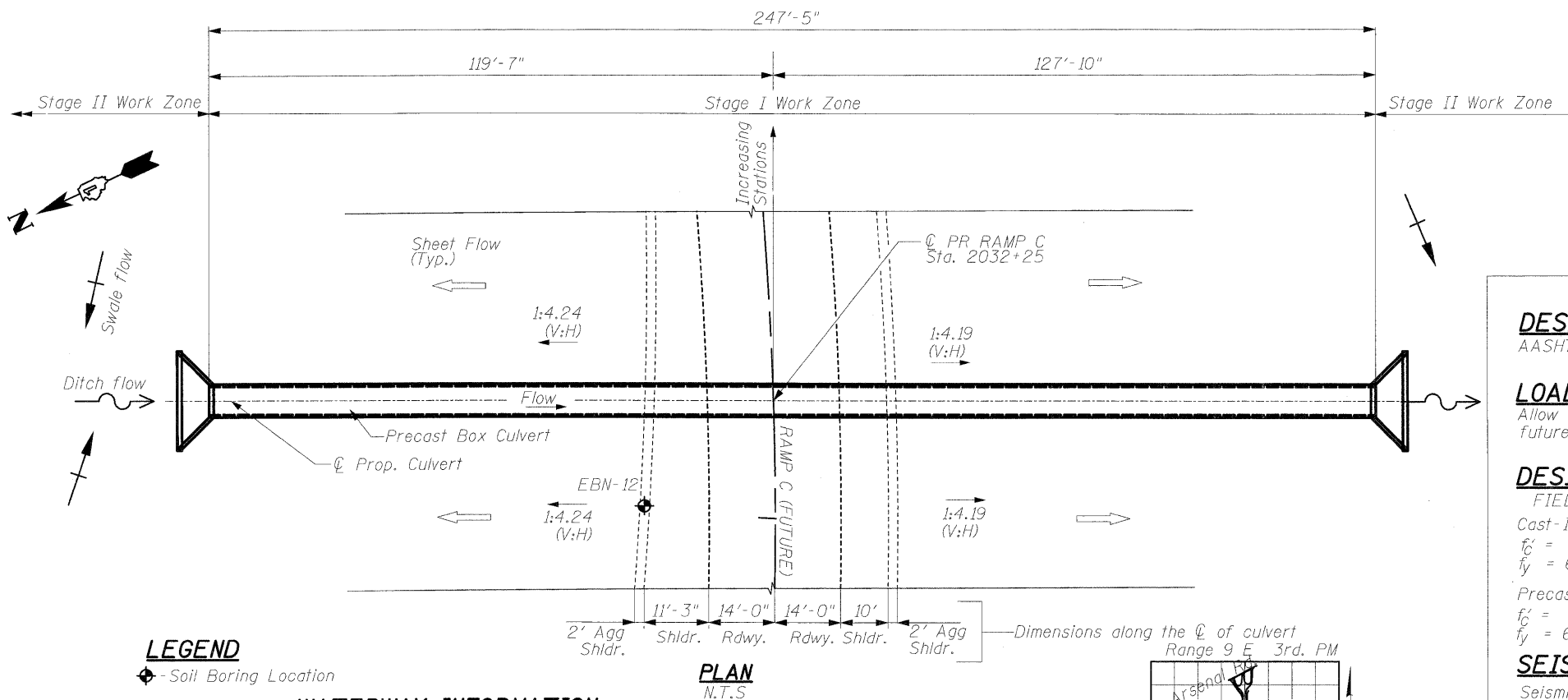
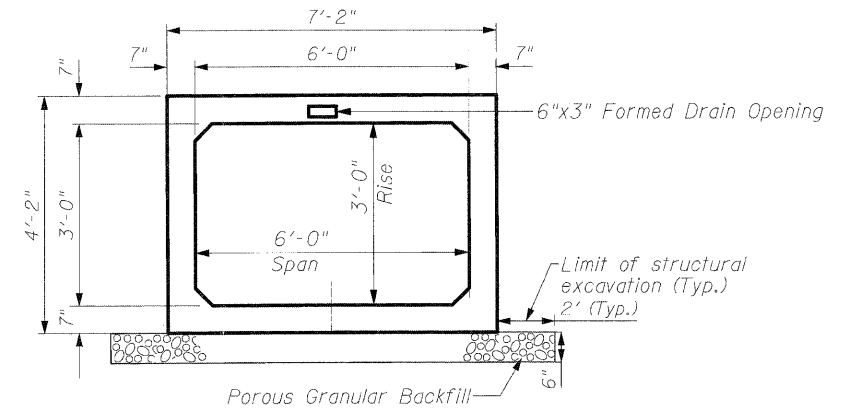
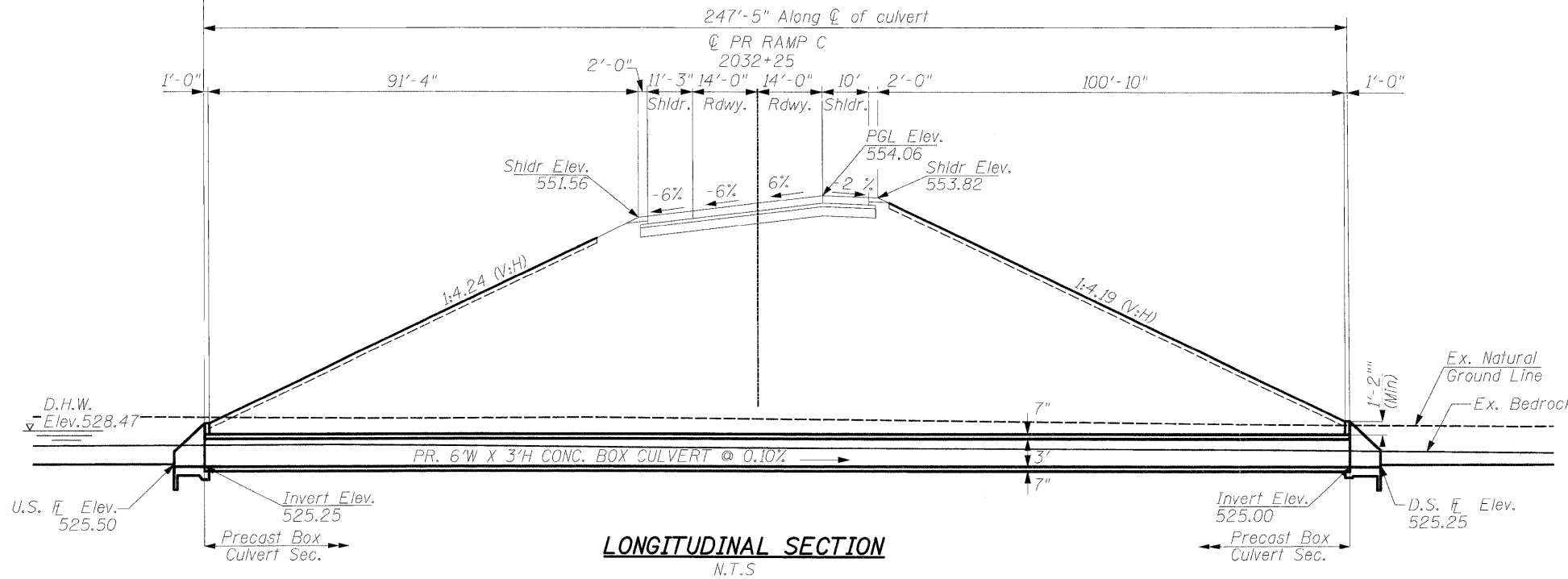


Bench Mark: BM 2  
 (RR spike in 1st power pole North of CPT 203 ±1' above ground. Elev.= 529.734)  
 Existing Structures: None

STATE OF ILLINOIS  
 DEPARTMENT OF TRANSPORTATION



**CURVE DATA**

Ramp C  
 P.I. Station 2037+82.40  
 Delta = 132° 56' 23" (LT)  
 Degree = 6° 51' 42"  
 Tangent = 1,917.61'  
 Length = 1,937.40'  
 Radius = 835.00'  
 External = 1,256.52'  
 Long Chord = 1,531.14'  
 Mid. Ord. = 501.64'  
 P.C. Station 2018+64.79  
 P.T. Station 2038+02.19

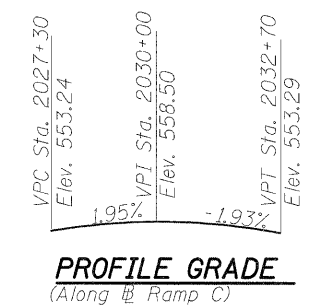
**DESIGN SPECIFICATIONS**  
 AASHTO 2002

**LOADING HS-20-44**  
 Allow 50 lbs/sq. ft. for future wearing surface.

**DESIGN STRESSES**  
 FIELD UNITS  
 Cast-In-Place Units  
 $f'_c = 3,500$  psi (Concrete)  
 $f_y = 60,000$  psi (Reinforcement)

Precast Units  
 $f'_c = 5,000$  psi (Concrete)  
 $f_y = 65,000$  psi (Welded Wire Fabric)

**SEISMIC DATA**  
 Seismic Performance Zone (SPC) = A  
 Bedrock Acceleration Coeff.(A) = 0.04g  
 Site Coefficient (S) = 1.0



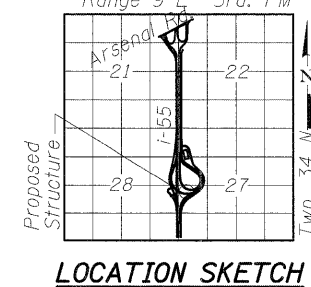
**GENERAL PLAN & ELEVATION-RAMP C  
 OVER UNNAMED DITCH  
 F.A.I. ROUTE 55 - SEC. (99-1&2)AC-3  
 WILL COUNTY  
 STATION 2032+25**

**LEGEND**  
 ◆ - Soil Boring Location

**WATERWAY INFORMATION**

Drainage Area = 0.1519 sq. mi. Low Grade Elev. 552.51 @ Sta. 2032+25 Ramp C

Flood	Freq. Yr.	Q C.F.S.	Opening Sq.Ft.		Nat. H.W.E.	Head - Ft.		Headwater El.	
			Exist.	Prop.		Exist.	Prop.	Exist.	Prop.
Design	50	80	N/A	16.1	527.57	N/A	0.90	N/A	528.47
Base	100	106	N/A	18.0	527.92	N/A	1.26	N/A	529.18
Overtopping		150							



**SINGH**  
 SINGH & ASSOCIATES, INC.  
 CONSULTING ENGINEERS  
 300 W. ADAMS ST.  
 CHICAGO, IL 60606  
 TEL: (312) 629-0240  
 FAX: (312) 629-8449

SHEET NO.  SHEETS	F.A.I. RTE. 55	SECTION (99-1&2)AC-3	COUNTY WILL	TOTAL SHEETS 524	SHEET NO. 336
	Sta. 2032+25 (Ramp C)		CONTRACT NO. 60C31		
FED. RD. DIST. NO. 1 ILLINOIS FED. AID PROJECT					

12/11/2009 10:19:50 PM 8FILES

FINAL