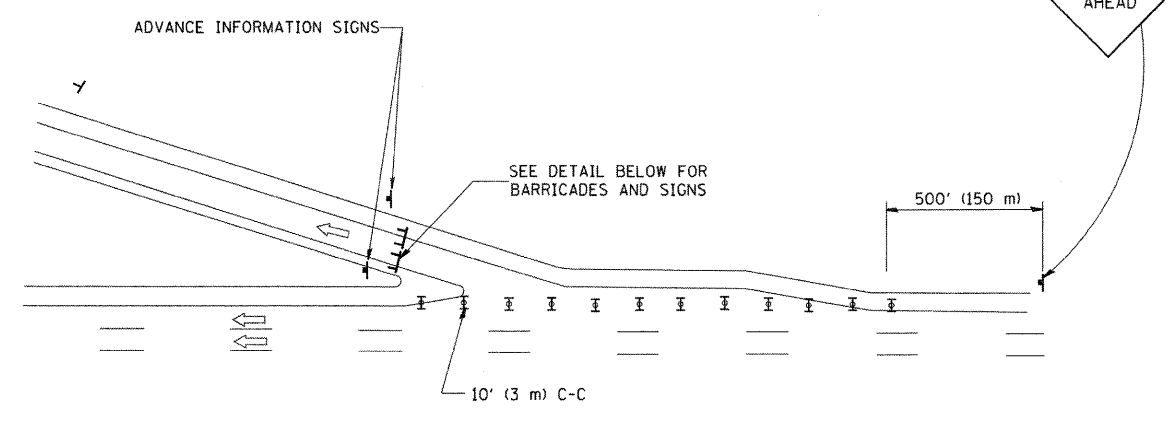
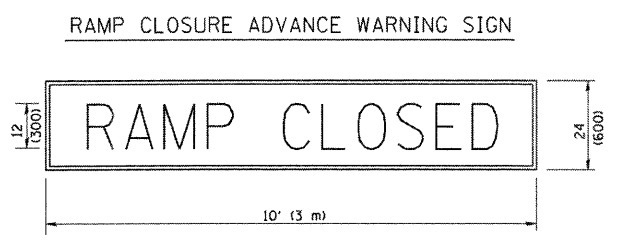


ENTRANCE RAMP CLOSURE

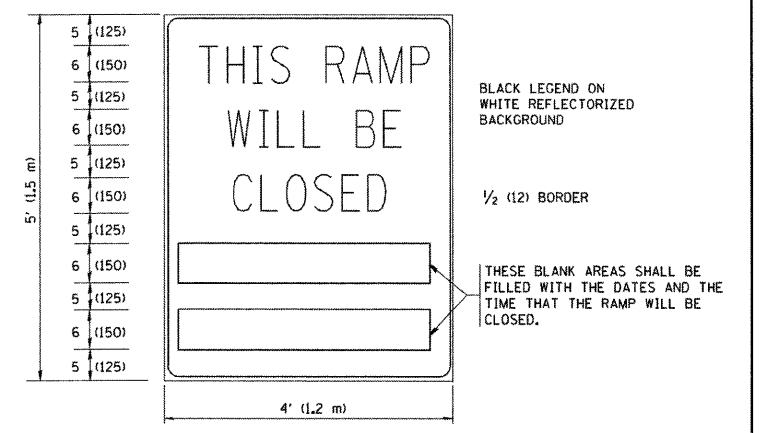


EXIT RAMP CLOSURE



BLACK LEGEND ON ORANGE REFLECTORIZED BACKGROUND
 1 (25) BORDER
 THESE SIGNS ARE REQUIRED ON ALL THE EXIT GUIDE SIGNS FOR THE CLOSED EXIT RAMPS.

RAMP CLOSURE ADVANCE INFORMATION SIGN

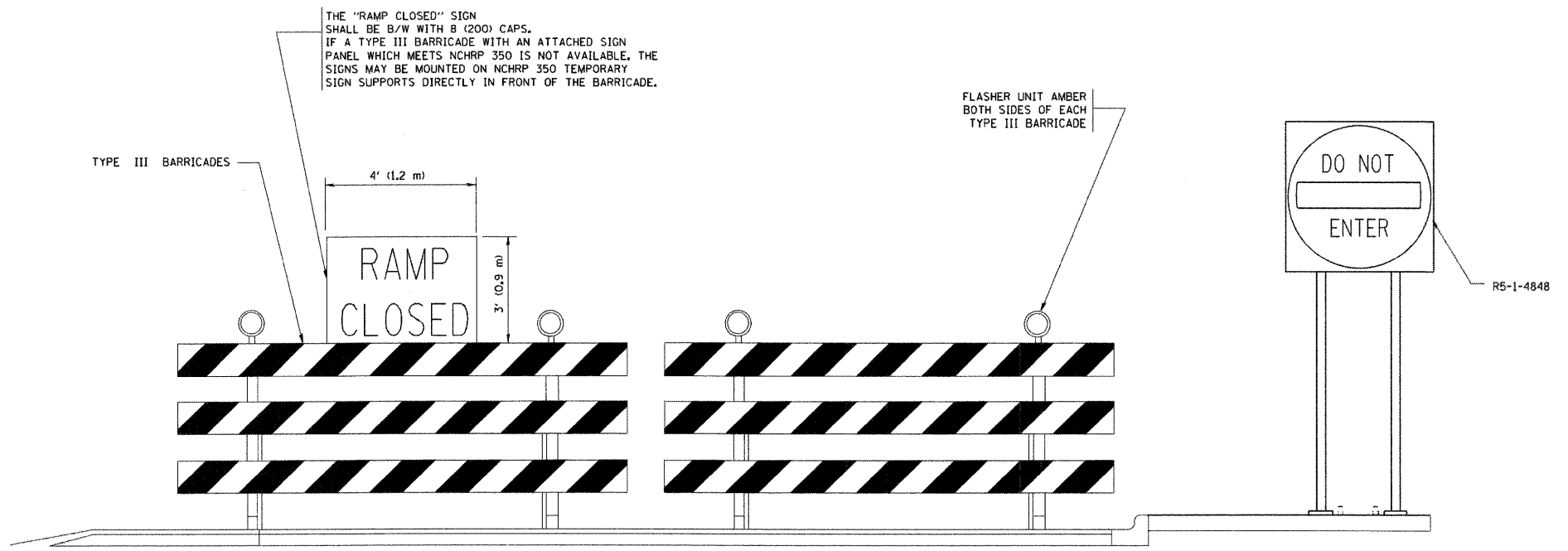


THESE SIGNS ARE REQUIRED ON BOTH SIDES OF THE RAMP, MINIMUM OF 1 WEEK IN ADVANCE OF THE CLOSURE.

GENERAL NOTES:

- CONES MAY BE SUBSTITUTED FOR DRUMS OR TYPE II BARRICADES DURING DAY OPERATIONS. CONES SHALL BE A MINIMUM OF 28 (700) HIGH.
- STEADY BURN LIGHTS WILL NOT BE REQUIRED FOR DAY OPERATIONS.
- A FLAGGER SHALL BE POSITIONED AT EACH CLOSED RAMP THAT IS OPEN TO CONSTRUCTION VEHICLES.
- ALL ROUTE MARKERS AND TRAILBLAZER ASSEMBLIES WHICH DIRECT MOTORISTS TO A CLOSED ENTRANCE RAMP SHALL BE COVERED.
- THE SIGNING AND BARRICADING WHICH IS REQUIRED BY THIS DETAIL SHALL BE INCLUDED IN THE COST OF TRAFFIC CONTROL AND PROTECTION (EXPRESSWAYS).
- AUTHORIZATION FROM THE DISTRICT'S BUREAU OF TRAFFIC IS REQUIRED FOR ALL RAMP CLOSURES.
- THE RAMP CLOSURE ADVANCE INFORMATION SIGNS SHALL BE ERECTED IF THE CLOSURE TIME EXCEEDS TWENTY-FOUR (24) HOURS. ADDITIONAL ADVANCE WARNING SIGNS ON EXIT GUIDE SIGNING WILL BE REQUIRED FOR EXIT RAMP CLOSURES THAT EXCEED TWENTY-FOUR (24) HOURS IN LENGTH.

ALL DIMENSIONS ARE IN INCHES (MILLIMETERS) UNLESS OTHERWISE SHOWN.



DETAIL FOR REQUIRED BARRICADES & SIGNS

THE "RAMP CLOSED" SIGN SHALL BE B/W WITH 8 (200) CAPS. IF A TYPE III BARRICADE WITH AN ATTACHED SIGN PANEL WHICH MEETS NCHRP 350 IS NOT AVAILABLE, THE SIGNS MAY BE MOUNTED ON NCHRP 350 TEMPORARY SIGN SUPPORTS DIRECTLY IN FRONT OF THE BARRICADE.

FLASHER UNIT AMBER BOTH SIDES OF EACH TYPE III BARRICADE

- SYMBOLS**
- ▬ TYPE II BARRICADE, DRUM OR VERTICAL BARRICADE WITH STEADY BURN MONO-DIRECTIONAL LIGHT
 - ▬ TYPE III BARRICADE WITH FLASHING LIGHT

FILE NAME =	USER NAME = geglienobt
W:\diststd\22x34\to28.dgn	

DESIGNED - DWS	REVISOR - DWS 12-94
DRAWN -	REVISOR - DWS/JAF 12-02
CHECKED -	REVISOR - JAF 02-06
DATE - 02-83	REVISOR - SPB 01-07

PLOT SCALE = 60.000 "/ IN.	
PLOT DATE = 1/4/2008	

**STATE OF ILLINOIS
 DEPARTMENT OF TRANSPORTATION**

FREWAY ENTRANCE AND EXIST RAMP CLOSURE DETAILS			
SCALE: NONE	SHEET NO. 1 OF 1 SHEETS	STA. TO STA.	

F.A.I. RTE. 55	SECTION (99-1&2)AC-3	COUNTY WILL	TOTAL SHEETS 524	SHEET NO. 346
TC-08		CONTRACT NO. 60C31	FED. ROAD DIST. NO. 1 ILLINOIS FED. AID PROJECT	

FINAL