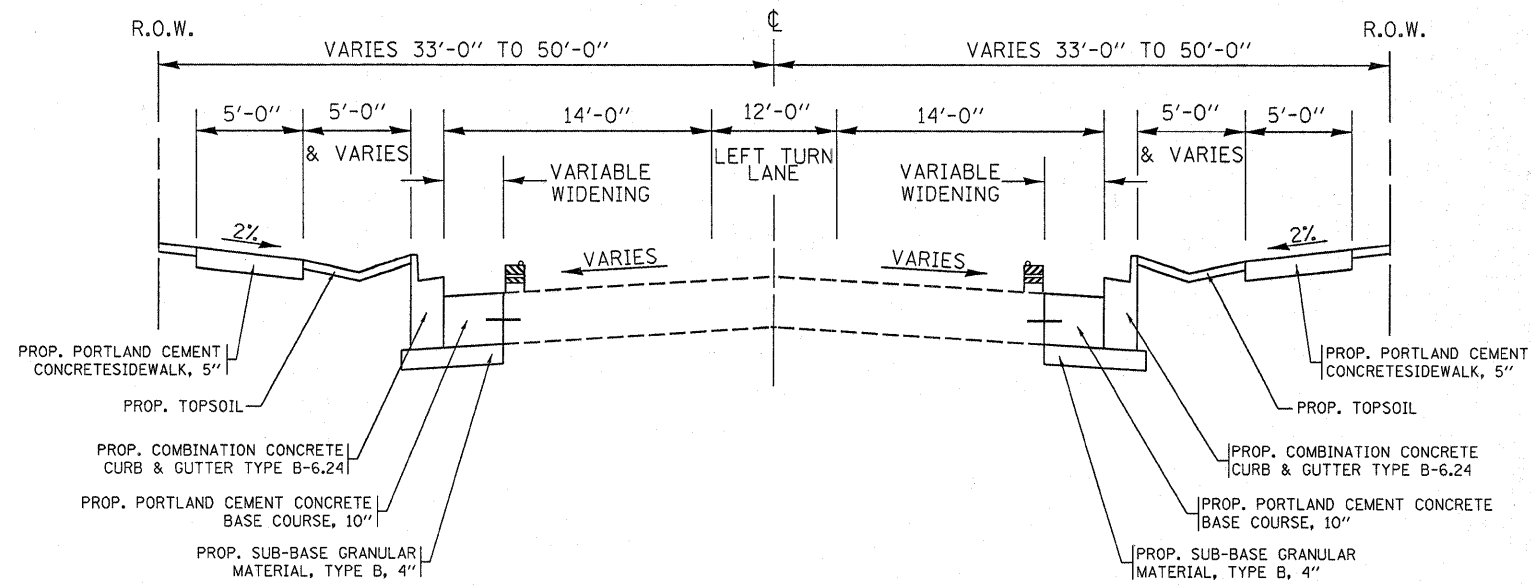
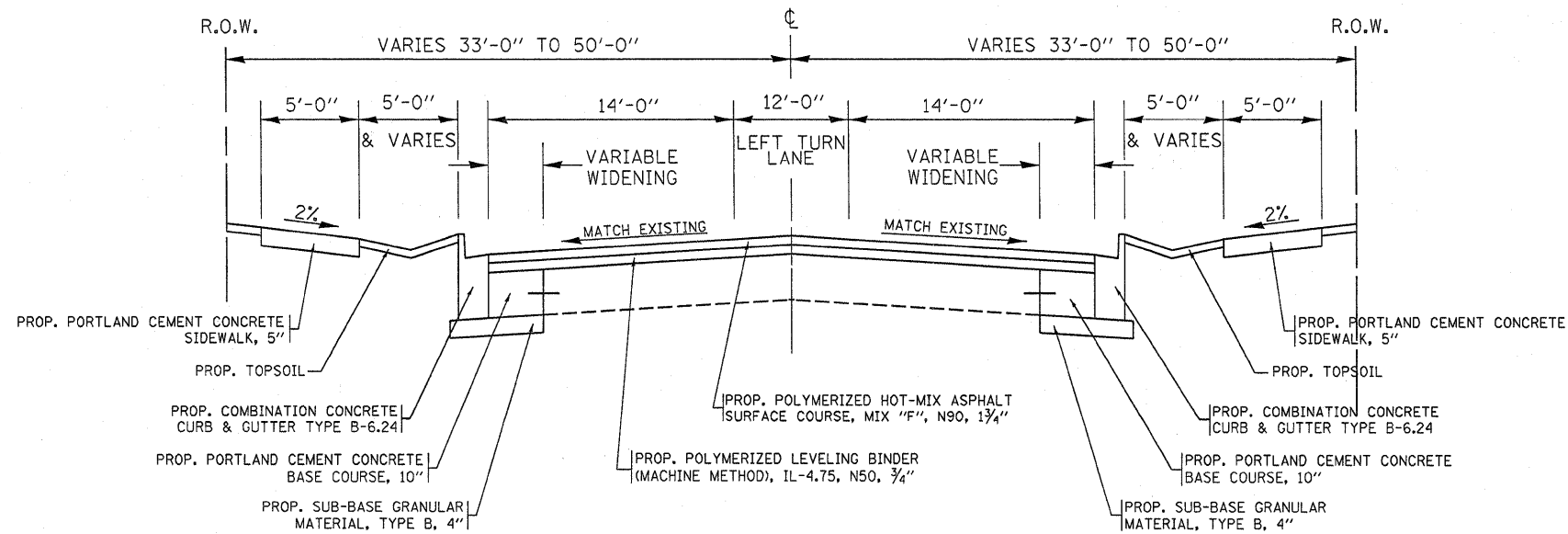


SHERMER RD.  
Sta. 97+46.6 to Sta. 101+66.4  
PROPOSED WIDENING  
STAGE 1 OR 2



SHERMER RD.  
Sta. 97+46.6 to Sta. 101+66.4  
PROPOSED WIDENING  
STAGE 1 OR 2



SHERMER RD.  
Sta. 97+46.6 to Sta. 101+66.4  
PROPOSED RESURFACING  
STAGE 4

FILE NAME =	USER NAME = midyjo	DESIGNED -	REVISED -	<b>STATE OF ILLINOIS DEPARTMENT OF TRANSPORTATION</b>	<b>SUGGESTED STAGING AND TRAFFIC CONTROL (SHERMER RD.)</b>				F.A.P. RTE.	SECTION	COUNTY	TOTAL SHEETS	SHEET NO.		
ca:\pw\work\PIWIDOT\MIDYJA\dms93788\PI26724-Design3.dgn		DRAWN -	REVISED -		SCALE:	SHEET NO.	OF	SHEETS	STA.	TO STA.	339	584 Y-N-1	COOK	61	17
		CHECKED -	REVISED -												
		DATE -	REVISED -												
												CONTRACT NO. 60D25			
												ILLINOIS FED. AID PROJECT			