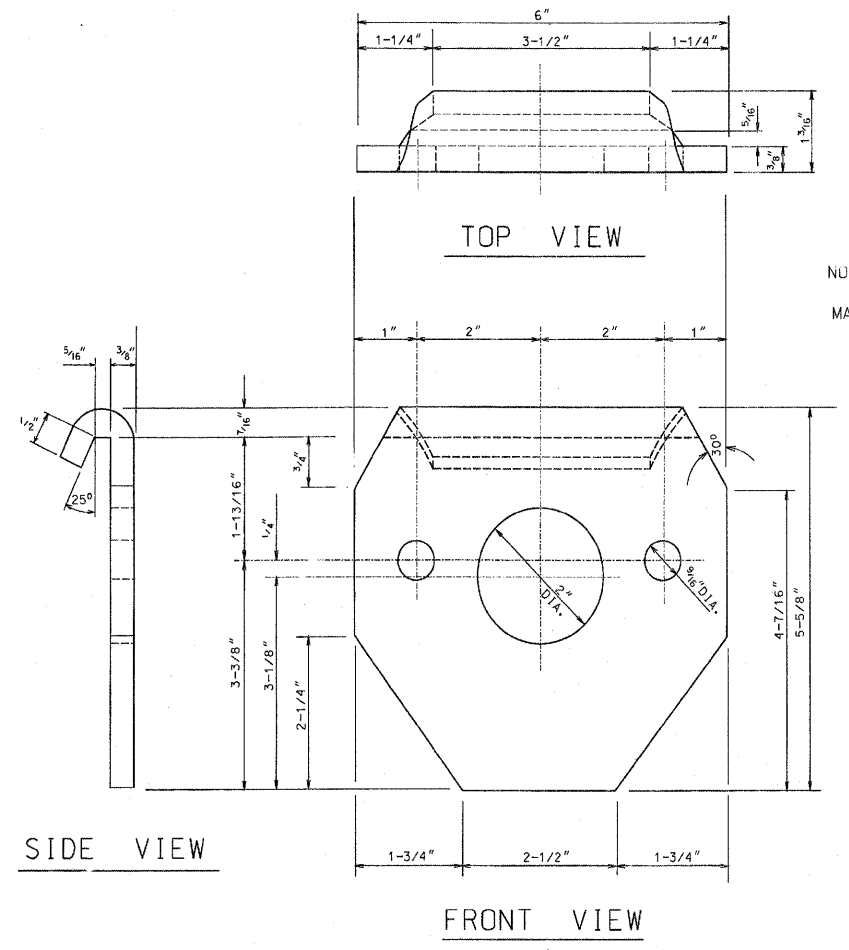
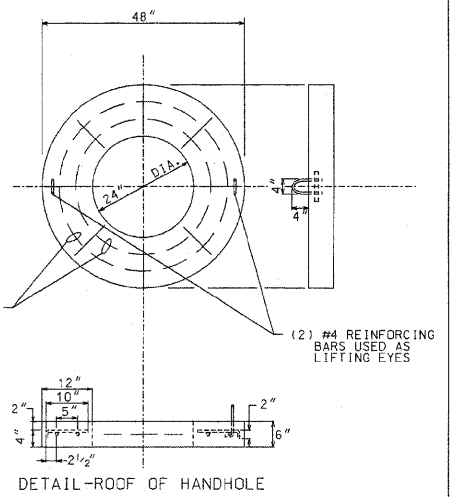


COMPLETE COMMODITY CODE NO. 05-6610-5310M			
CODE NO.	MATERIALS	SIZE	QUAN.
(1) 05-6610-5312	PRE-CAST HANDHOLE	36" X 36"	
(2) 05-6610-5312	PRE-CAST ROOF	SEE DETAIL	1
05-9075-5470	STONE 3/4" CRUSHED SCREENINGS	BAG	5
05-1452-9720	BRICK		24
02-4299-5524	FRAME, MANHOLE	24"	1
02-4574-5624	COVER, MANHOLE	24"	1
09-7796-9312	GROUND ROD	3/4" X 12'	1
09-2636-3240	GROUND CLAMP		1
(3) 05-5082-5330	SONG TUBE	36"	1
(3) 05-5082-5342	SONG TUBE	48"	1
(3) 05-3267-2940	CONC. REDI-MIX	CU. YD.	3/4
(3) 20-5472-9630	REINFORCING BAR	#3 (3/8")	20'
(3) 20-5472-9630	REINFORCING BAR	#3 (3/8")	8'
(3) 20-5472-9640	REINFORCING BAR	#4 (1/2")	4'
(3) 57-0770-0000	(MESH 6" X 6")	36" X 11'	1

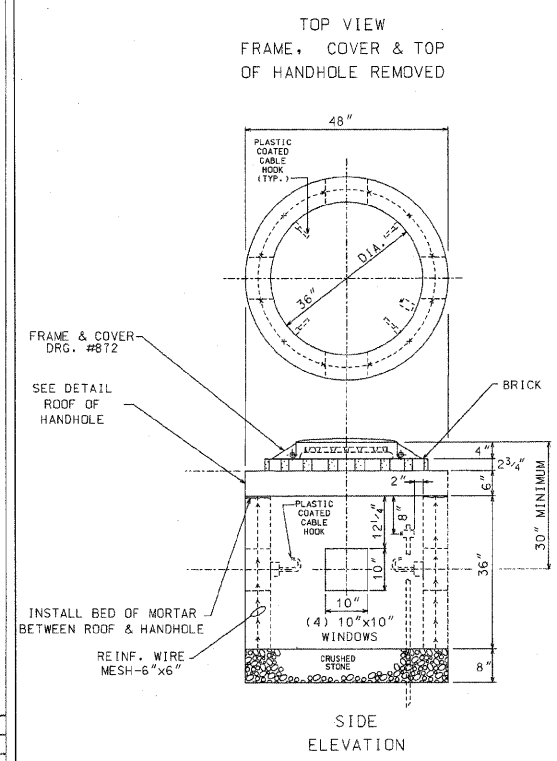
- (1) PRE-CAST HANDHOLE SHALL INCLUDE CABLE HOOKS AND CONDUIT KNOCK-OUTS.
- (2) PRE-CAST ROOF SHALL INCLUDE LIFTING EYES.
- (3) THESE ITEMS ARE FOR POURED-IN-PLACE HANDHOLES ONLY.

CONSTRUCTION NOTES:

- 1 - 8" BED OF STONE FOR DRAINAGE.
- 2 - ALL METALLIC CONDUIT(S) ENTERING HANDHOLE SHALL EXTEND MIN. 1" & MAX. OF 3" INSIDE INNER WALL & BE EQUIPPED WITH AN APPROVED TYPE THREADED GROUNDING BUSHING.



NOTE: REMOVE ALL SHARP EDGES
MATERIAL: HOT ROLLED STEEL
ASTM A-36



03-01-02	REDRAWN
TWO BOLT MAST ARM ATTACHMENT (BRACKET DETAILS)	
CITY OF CHICAGO	
DESIGNED BY: ROBERT IVY	ENGINEER: RON POOL
DRAWN BY: ROBERT CARTER	ENGINEER: RON POOL
CHECKED BY: [Signature]	ENGINEER: [Signature]
DATE: 03-01-73	DWG. NO. 724
SCALE: NONE	DATE: 03-01-73

DATE	REVISION
03-23-09	ADDED LIFTING EYES FOR CONCRETE HANDHOLE
03-23-09	REVISION (CAD.)
36" DIA. HEAVY DUTY CONCRETE HANDHOLE WITH 24" FRAME & COVER	
CITY OF CHICAGO	
DESIGNED BY: M. PATTON	ENGINEER: S. CARTER
DRAWN BY: [Signature]	ENGINEER: M. DEMARCO
CHECKED BY: [Signature]	ENGINEER: [Signature]
DATE: 03-23-09	DWG. NO. 866
SCALE: 1/4" = 1'-0"	DATE: 1-12-96

