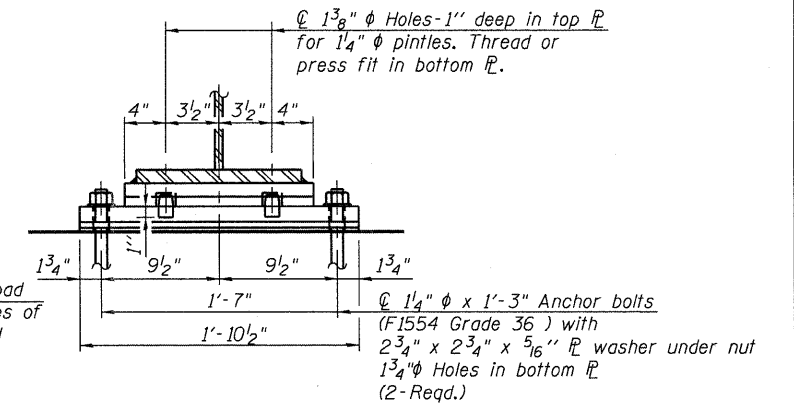
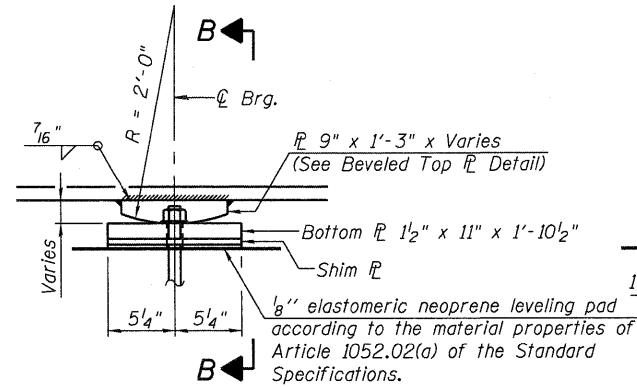
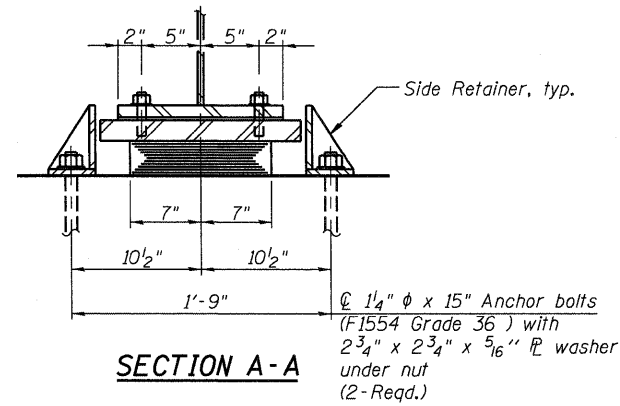
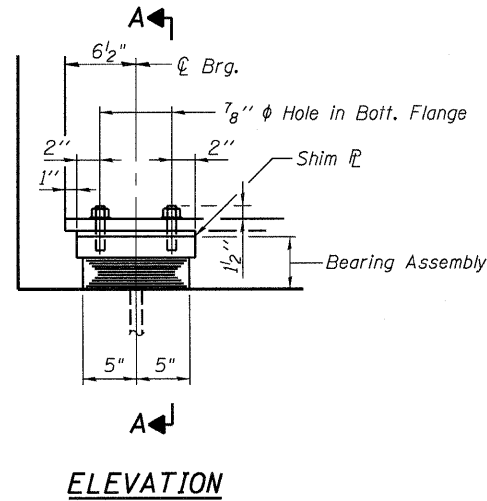
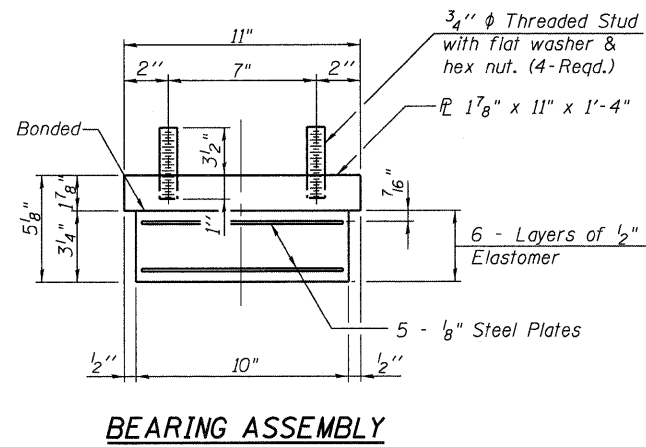


STATE OF ILLINOIS  
DEPARTMENT OF TRANSPORTATION



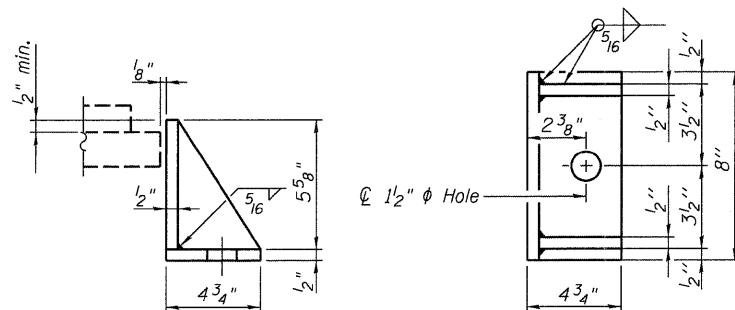
**TYPE I ELASTOMERIC EXP. BRG.**  
(at Abutments)



Note:  
Shim plates shall not be placed under Bearing Assembly.

Notes:

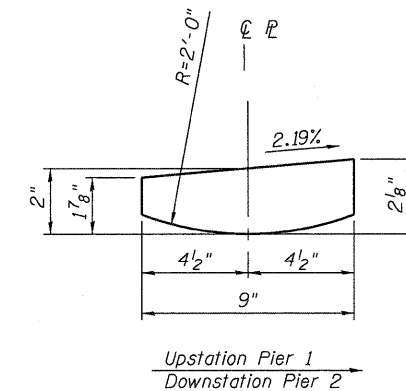
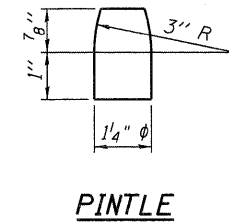
- Anchor bolts shall be ASTM F1554 all-thread (or an Engineer-approved alternate material) of the grade(s) and diameter(s) specified. ASTM A307 Grade C anchor bolts may be used in lieu of ASTM F1554 Grade 36 (Fy=36ksi). The corresponding specified grade of AASHTO M314 anchor bolts may be used in lieu of ASTM F1554.
- Anchor bolts at fixed bearings may be either cast in place or installed in holes drilled after the supported member is in place.
- Anchor bolts for side retainers may be cast in place or installed in holes drilled before or after members are in place.
- Drilled and set anchor bolts shall be installed according to Article 521.06 of the Standard Specifications.
- Cost of installation of side retainers and other steel members required for the elastomeric bearing assembly shall be included in the cost of Erecting Elastomeric Bearing Assembly, Type I.
- The structural steel plates and side retainers of the Bearing Assembly shall conform to the requirements of AASHTO M 270 Grade 50.
- Two 1/8 in. adjusting shims shall be provided for each bearing in addition to all other plates or shims and placed as shown on bearing details.



Equivalent rolled angle with stiffeners will be allowed in lieu of welded plates.

DESIGNED	EV
CHECKED	PC
DRAWN	JCP
CHECKED	JPO

**FIXED BEARING**  
(at Piers)



**BILL OF MATERIAL**

Item	Unit	Total
Erecting Elastomeric Bearing Assembly, Type I	Each	20
Anchor Bolts, 1 1/4"	Each	80

**BEARING DETAILS**  
**STRUCTURE NO. 016-2119**

 600 WEST FULTON STREET CHICAGO, ILLINOIS 60661-1259 TEL 312 454 9100 FAX 312 559 1217 WEB www.epsteinglobal.com	SHEET NO. S23  S52 SHEETS	F.A.I. RTE.	SECTION	COUNTY	TOTAL SHEETS	SHEET NO.
		94	1314B-1	COOK	110	59
CONTRACT NO. 60F65						ILLINOIS FED. AID PROJECT