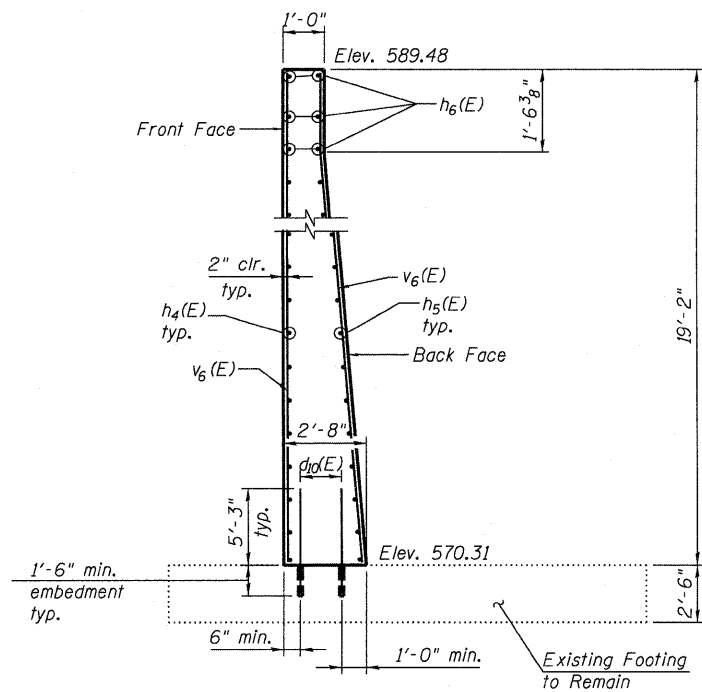


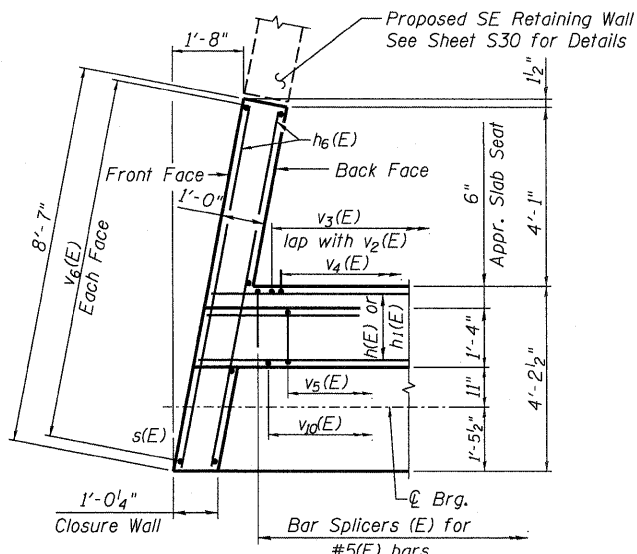
STATE OF ILLINOIS
DEPARTMENT OF TRANSPORTATION

BILL OF MATERIAL

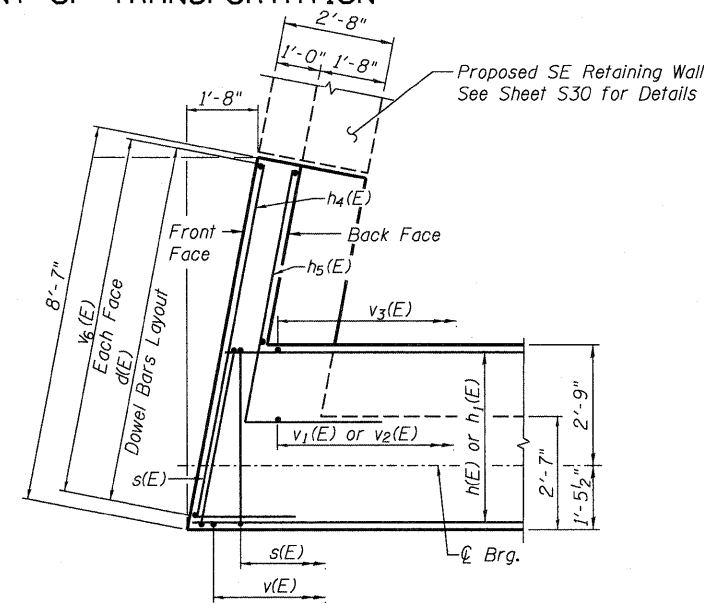
Bar	No.	Size	Length	Shape
c(E)	4	#5	2' - 4"	
c1(E)	4	#5	8' - 2"	
d1(E)	4	#6	4' - 3"	
d5(E)	4	#4	4' - 3"	
d10(E)	160	#9	6' - 9"	
h(E)	180	#5	21' - 1"	
h1(E)	36	#6	20' - 8"	
h2(E)	5	#6	15' - 9"	
h3(E)	5	#6	5' - 6"	
h4(E)	19	#5	9' - 8"	
h5(E)	19	#5	6' - 8"	
h6(E)	6	#5	8' - 3"	
h13(E)	16	#5	3' - 0"	
h14(E)	2	#5	5' - 0"	
s(E)	148	#6	10' - 9"	
u(E)	5	#5	5' - 2"	
u1(E)	5	#5	4' - 8"	
v(E)	75	#6	16' - 11"	
v1(E)	75	#9	8' - 0"	
v2(E)	75	#6	9' - 8"	
v3(E)	75	#5	5' - 1"	
v4(E)	75	#5	2' - 11"	
v5(E)	75	#6	4' - 7"	
v6(E)	20	#6	18' - 10"	
v7(E)	6	#6	20' - 10"	
v8(E)	3	#5	6' - 10"	
v9(E)	8	#5	1' - 0"	
v10(E)	75	#4	5' - 3"	
Porous Granular Embankment, Special			Cu. Yd.	218
Structure Excavation			Cu. Yd.	713
Concrete Structures			Cu. Yd.	148.7
Concrete Superstructure			Cu. Yd.	6.8
Reinforcement Bars, Epoxy Coated			Pound	19,090
Bar Splicers (E)			Each	134
Concrete Sealer			Sq. Ft.	525
Geocomposite Wall Drain			Sq. Yd.	156
Pipe underdrain for structures, 4" dia.			Foot	82



SECTION D-D

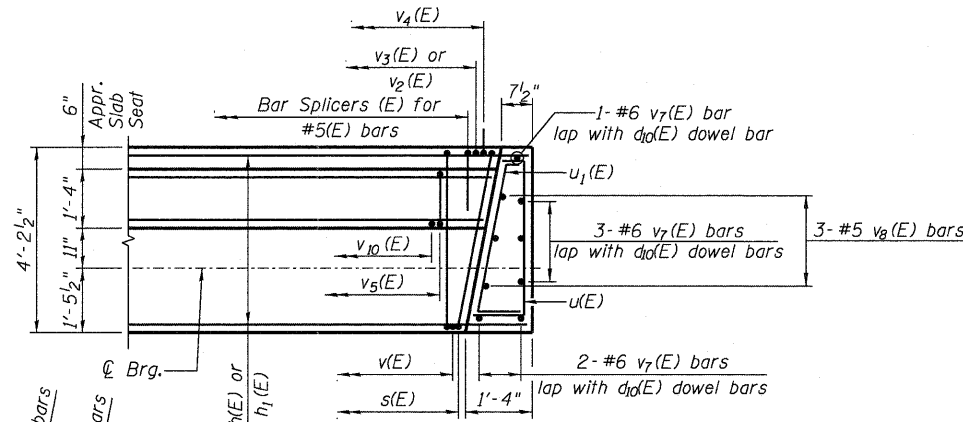


ABOVE BEAM SEAT



BELOW BEAM SEAT

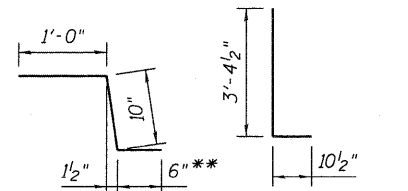
DETAIL 1



DETAIL 3

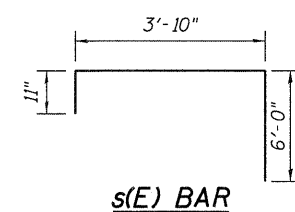
* Drill and Grout Dowel Bars should comply with requirements of Section 584 of Standard Specification. Cost included with Reinforcement Bars, Epoxy Coated.

** In lieu of bottom leg, c(E) bars may be cored and set according to Article 509.06 of Standard Specifications. Cored holes shall be roughened or scored per manufacturer's recommendations. Maximum depth of cored shall not exceed 6".

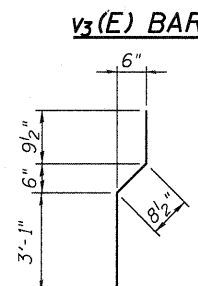


BAR c(E)

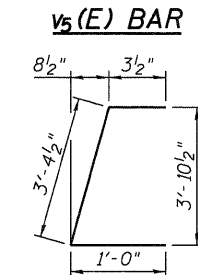
BARS d1(E) and d5(E)



s(E) BAR

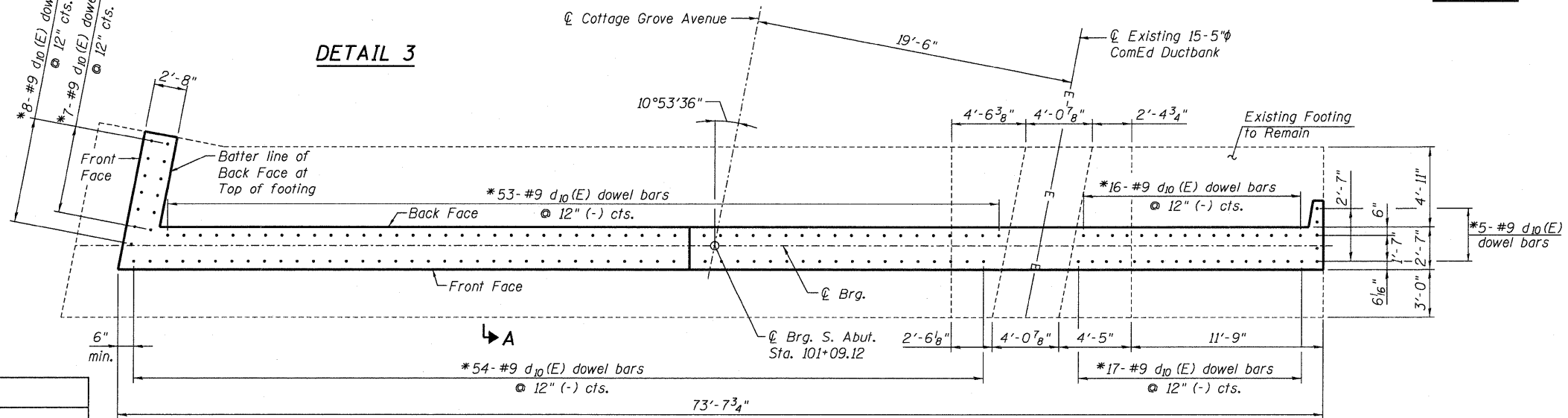


v3(E) BAR



v5(E) BAR

u1(E) BAR



DOWEL BARS LAYOUT

Notes:

1. For locations of Section D-D and Details 1 and 3, see sheet S27.

SOUTH ABUTMENT
DETAILS 2
STRUCTURE NO. 016-2119

DESIGNED	EV
CHECKED	PC
DRAWN	JCP
CHECKED	JPO

EPSTEIN
600 WEST FULTON STREET
CHICAGO, ILLINOIS
80661-1259

TEL 312 454 9100
FAX 312 559 1217
WEB www.epsteinglobal.com

SHEET NO. S29	F.A.I. RTE. 94	SECTION 1314B-1	COUNTY COOK	TOTAL SHEETS 110	SHEET NO. 65
S52 SHEETS	CONTRACT NO. 60F65		ILLINOIS FED. AID PROJECT		

8/12/2010 1:16:22 PM P:\Projects\2000028225 - DOT P1B 152\CAD\CADD Sheets\Bridge Phase 2\016\2119-029-SouthAbutDetails1.dgn