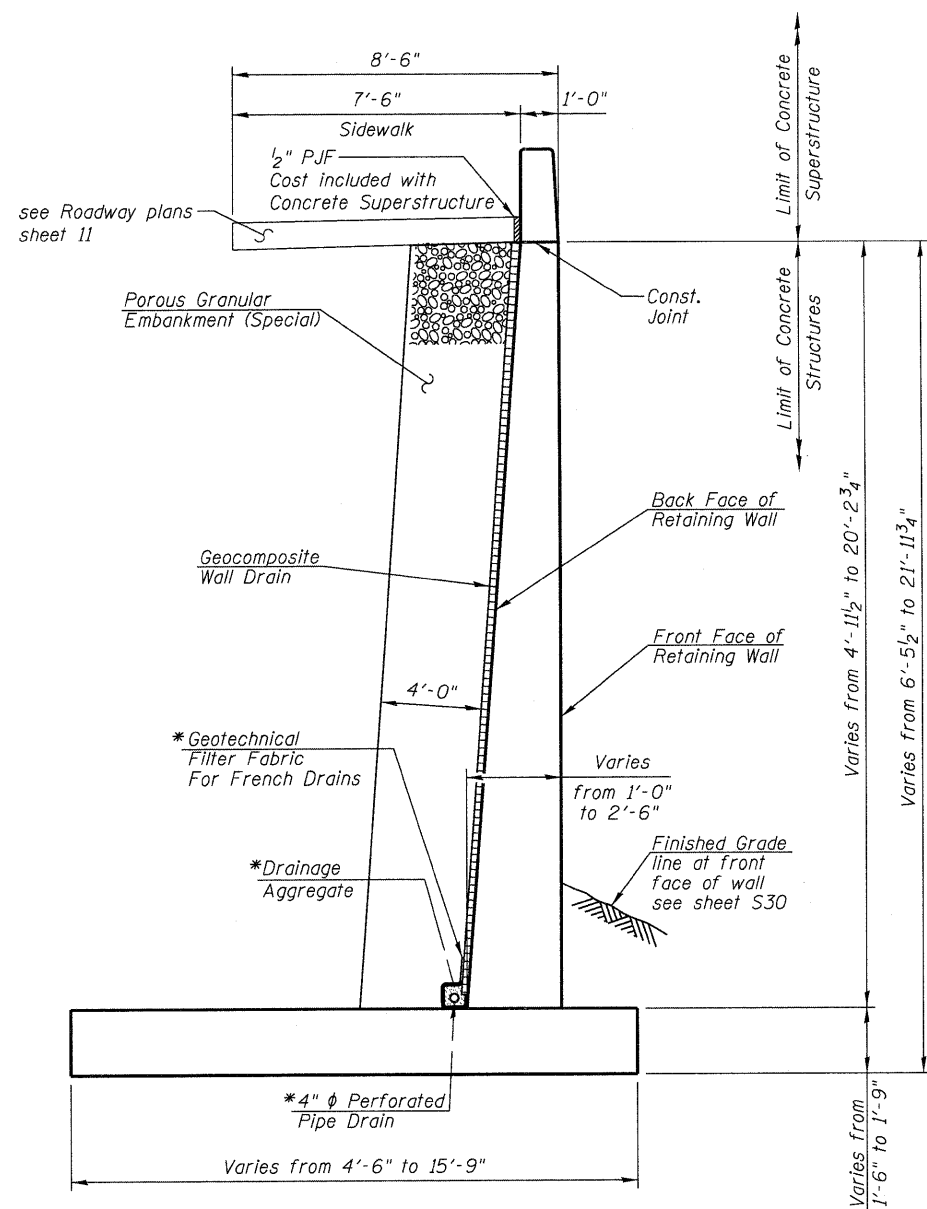
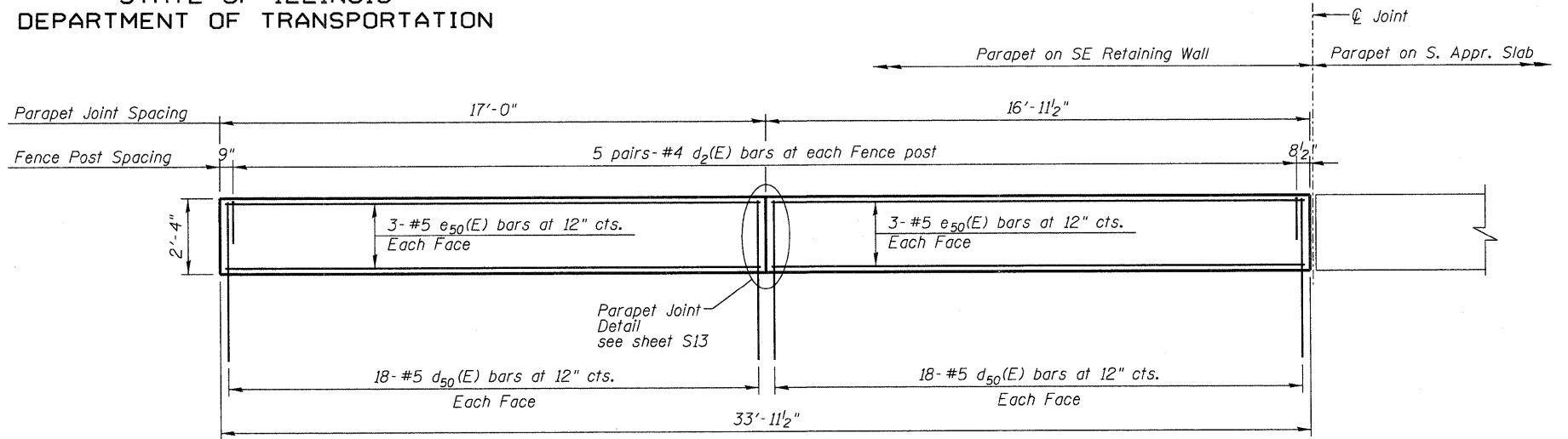


STATE OF ILLINOIS  
DEPARTMENT OF TRANSPORTATION



**SECTION THRU RETAINING WALL**

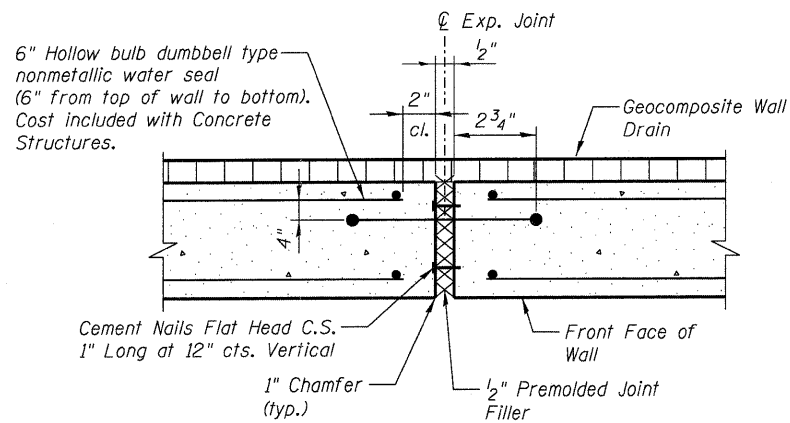
(Parapet and Sidewalk not shown see sheet S32 for details)



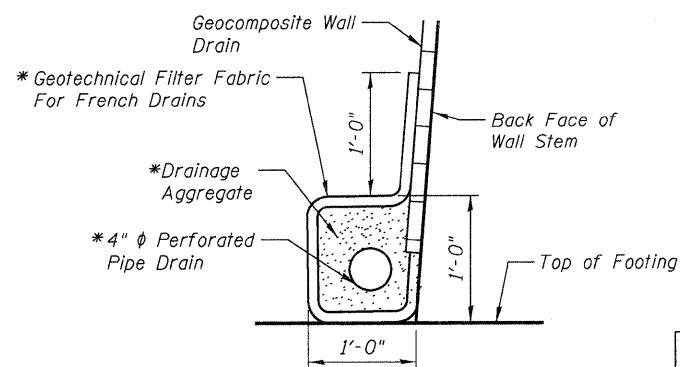
**PARAPET ELEVATION**

Looking West

\* Included in the cost of Pipe Underdrain for Structures.



**EXPANSION JOINT**



**PIPE UNDERDRAIN DETAIL**

Notes:

1. Work this sheet with sheets S30 and S32.
2. For location of Expansion joint see sheet S30.
3. For Bill of Material see sheet S32.

DESIGNED	EV
CHECKED	PC
DRAWN	JCP
CHECKED	JPO

**SE RETAINING WALL  
DETAILS 1  
STRUCTURE NO. 016-2119**

 600 WEST FULTON STREET CHICAGO, ILLINOIS 60661-1259 TEL 312 454 9100 FAX 312 559 1217 WEB www.epsteinglobal.com	SHEET NO. S31	F.A.I. RTE.	SECTION	COUNTY	TOTAL SHEETS	SHEET NO.
	S52 SHEETS	94	1314B-1	COOK	110	67
				CONTRACT NO. 60F65		
ILLINOIS FED. AID PROJECT						