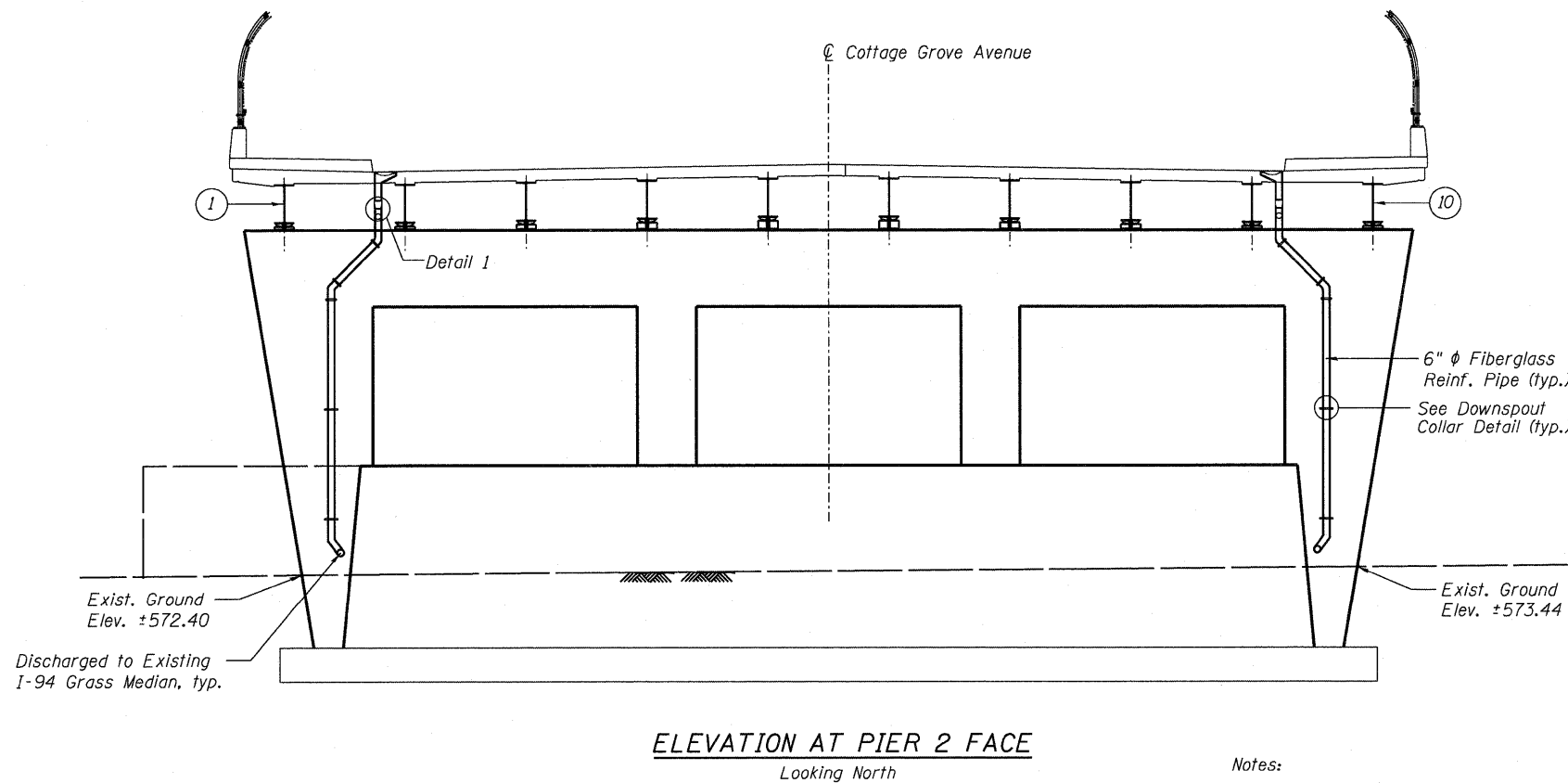
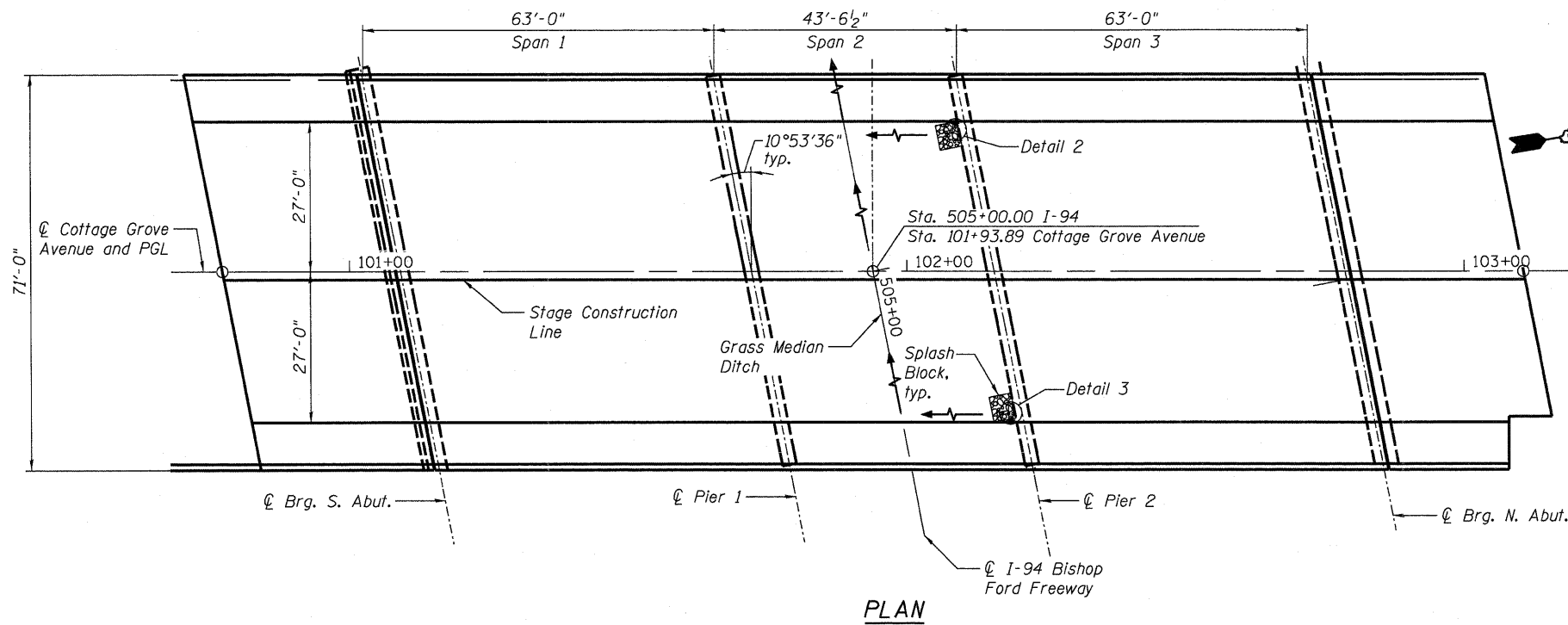


STATE OF ILLINOIS
DEPARTMENT OF TRANSPORTATION



ELEVATION AT PIER 2 FACE
Looking North

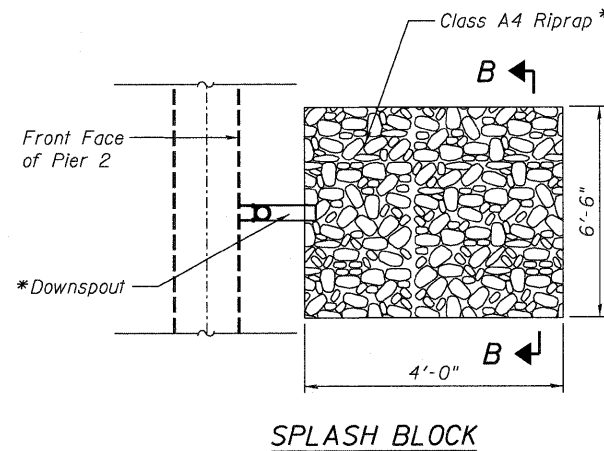
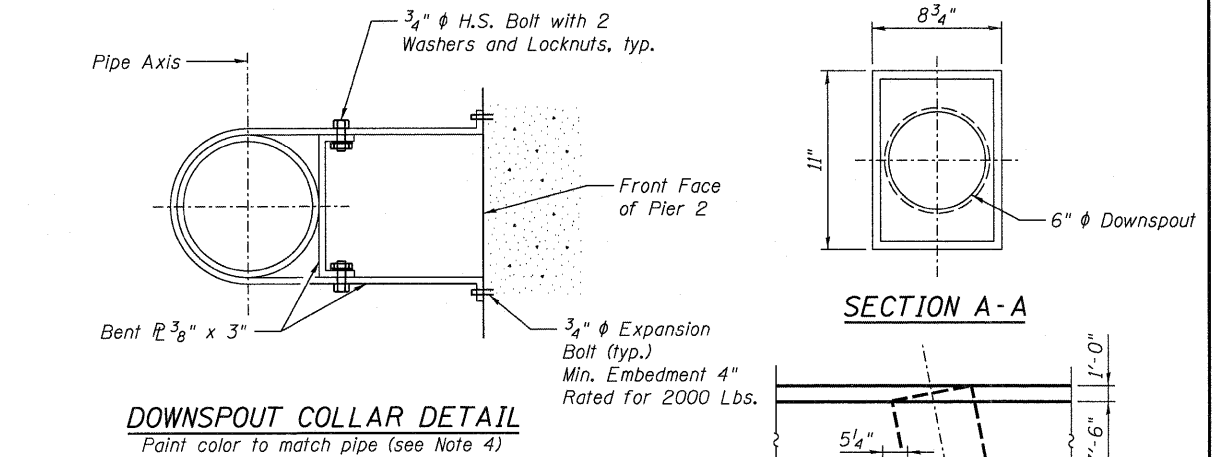
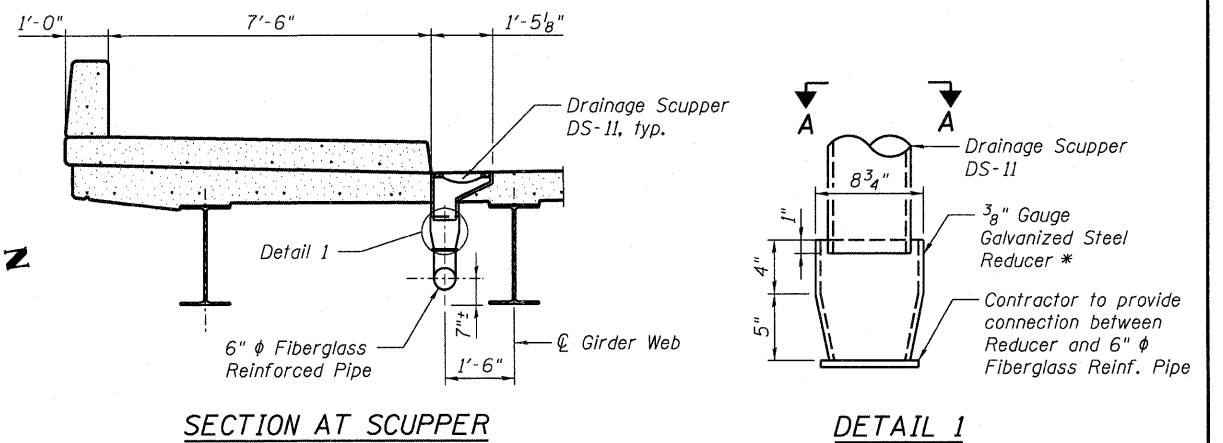
BILL OF MATERIALS

Item	Unit	Total
Drainage System	L. Sum	1

Notes:

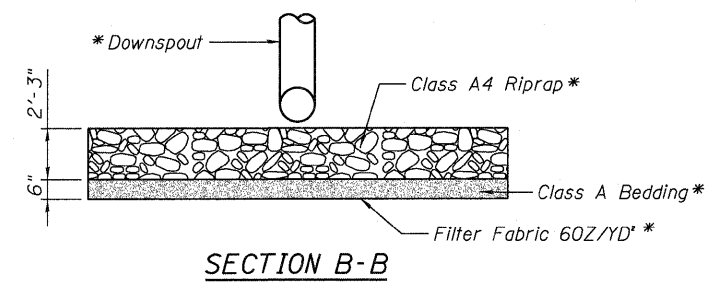
- Scuppers shall be located clear of all diaphragms.
- For drainage scupper details see sheet S44.
- Cost of fiberglass reinforced pipes with all supports, fittings, connections, cleanouts, downspouts and cost of splash blocks to be included with Drainage System.
- Color of Fiberglass pipe shall be green.

DESIGNED EV
CHECKED PC
DRAWN JCP
CHECKED JPO

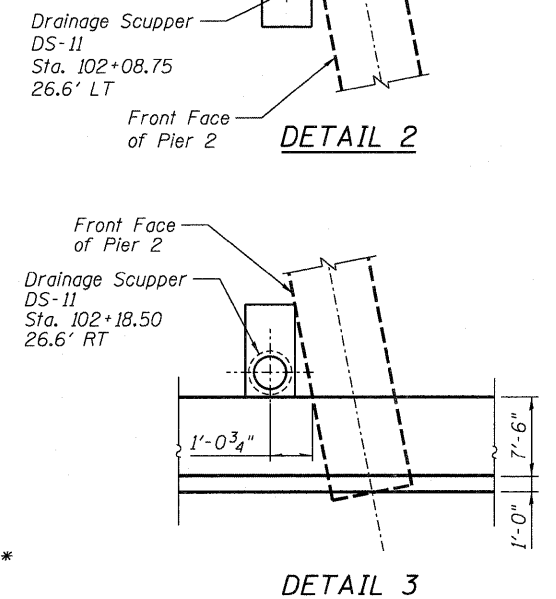


SPLASH BLOCK

* Cost included with Drainage System



SECTION B-B



BRIDGE DRAINAGE PLAN
AND DETAILS
STRUCTURE NO. 016-2119

 600 WEST FULTON STREET CHICAGO, ILLINOIS 60661-1259 TEL 312 454 9100 FAX 312 559 1217 WEB www.spsteinglobal.com	SHEET NO. S43	F.A.I. RTE. 94	SECTION 1314B-1	COUNTY COOK	TOTAL SHEETS 110	SHEET NO. 79
	S52 SHEETS					CONTRACT NO. 60F65
	ILLINOIS FED. AID PROJECT					