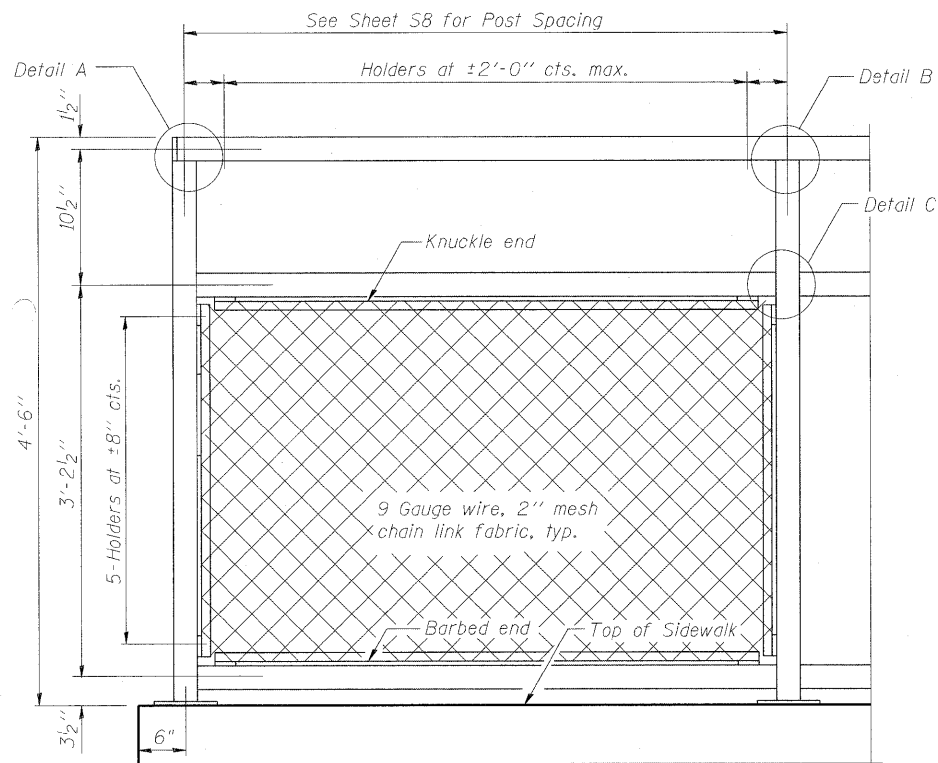
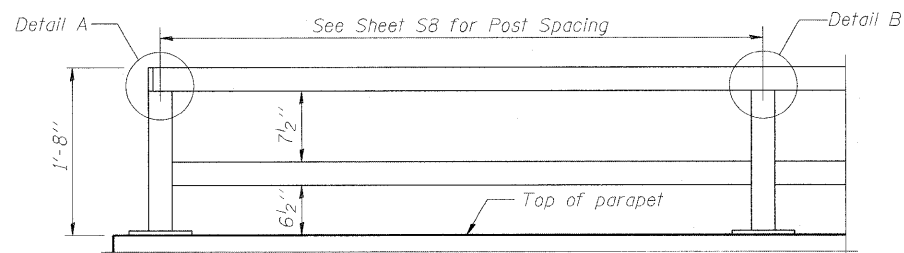


STATE OF ILLINOIS
DEPARTMENT OF TRANSPORTATION

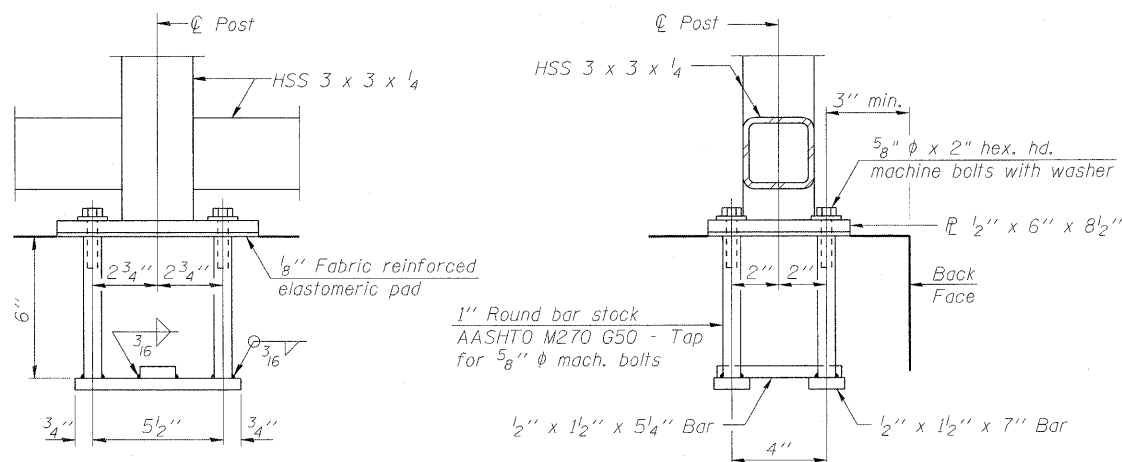
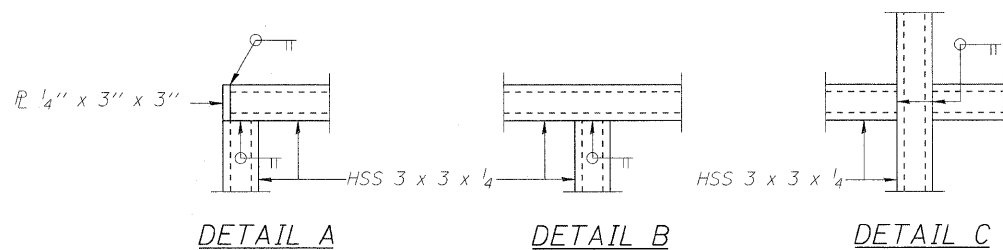


BICYCLE RAILING



**PARAPET RAILING
ELEVATION**

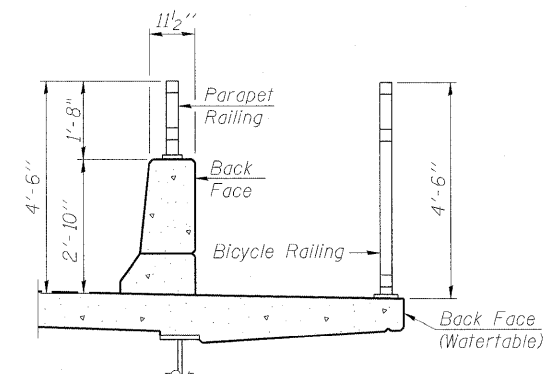
(Inside Face of Two Element Rail)



ANCHOR BOLT DETAILS

In lieu of the cast-in-place anchor device shown, the Contractor has the option of drilling and setting 5/8" φ anchor rods according to Article 509.06 of the Standard Specifications. Embedment shall be according to the manufacturer's specifications.

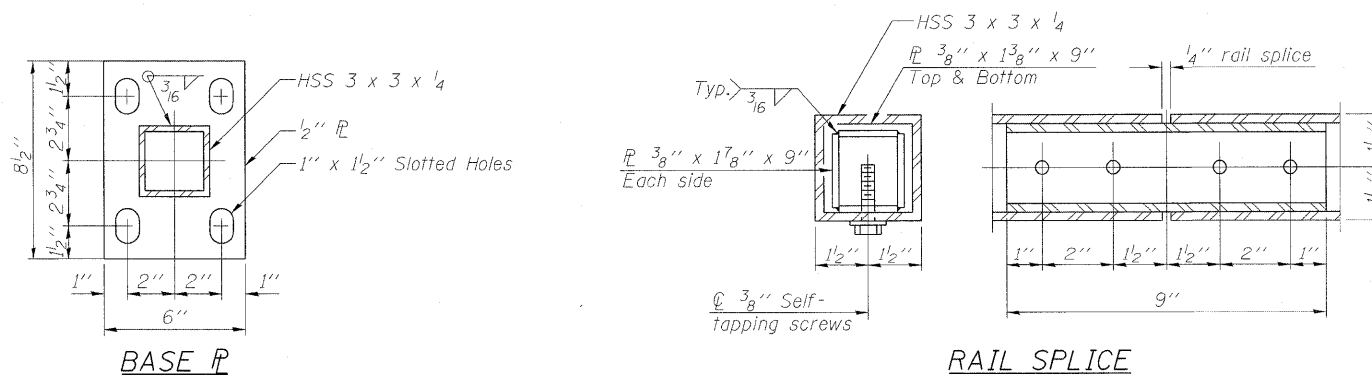
Note:
All steel rail elements shall be galvanized according to Article 509.05 of the Standard Specifications.



SECTION THRU DECK

BILL OF MATERIAL

Item	Unit	Quantity
Bicycle Railing	Foot	120
Parapet Railing	Foot	120



RAIL SPLICE

**BICYCLE RAILING
STRUCTURE NO. 016-0581**

DESIGNED MAH
CHECKED JMH
DRAWN DR
CHECKED JMH

(10'-0" Maximum Post Spacing)

COLLINS ENGINEERS
123 N. WACKER DR., SUITE 300
CHICAGO, IL 60606
(312) 704-9300
ILLINOIS PROFESSIONAL DESIGN FIRM LICENSE NO. 184-000993

SHEET NO. S13
OF
S27 SHEETS

F.A.P. RTE.	SECTION	COUNTY	TOTAL SHEETS	SHEET NO.
339	116-Y-2-BR-1	COOK	74	33
CONTRACT NO. 60J00			ILLINOIS FED. AID PROJECT	