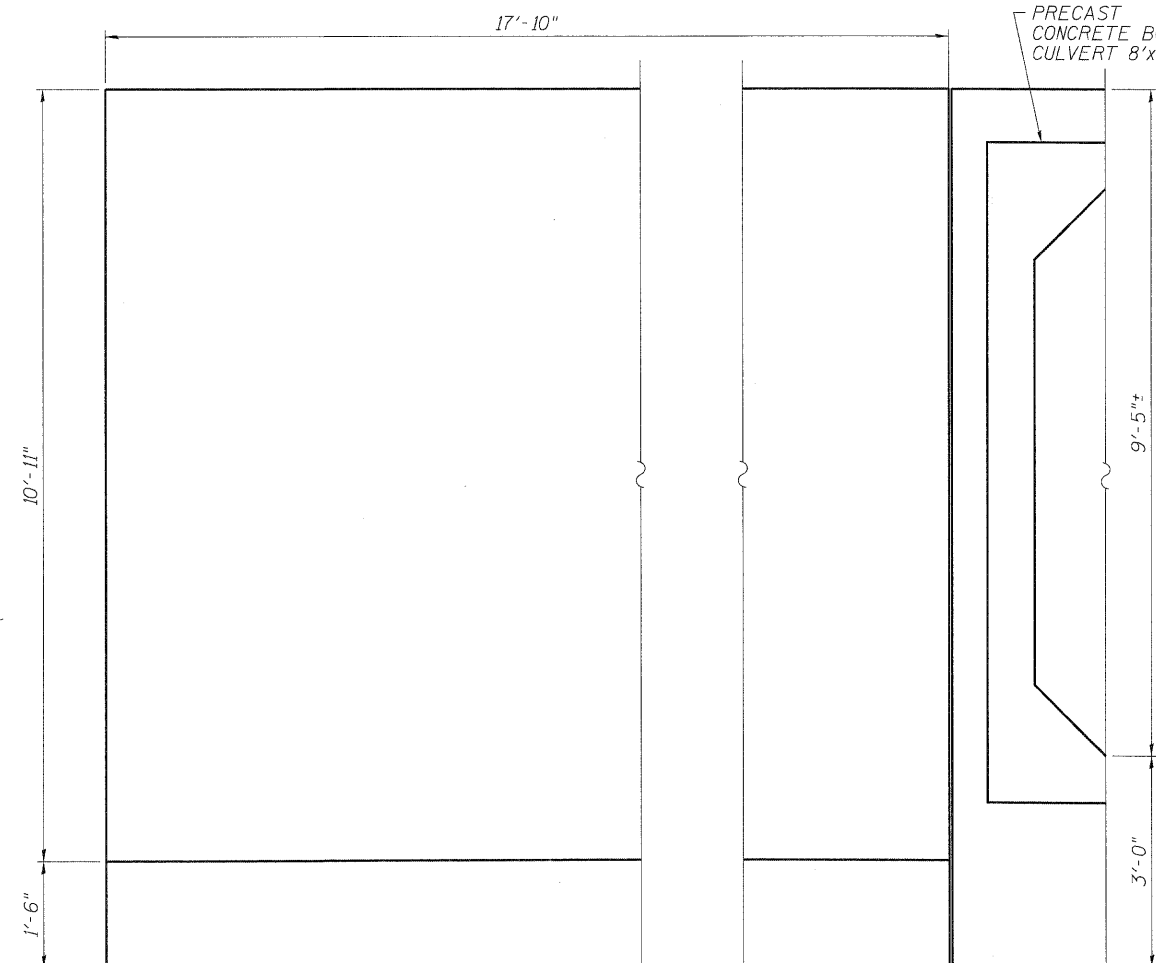


- (A) 1/2" PREMOULDED JOINT FILLER, INSTALL w/ 2 COLUMNS OF CONC. NAILS (FLAT HD. C.S.), 1" LONG, AT 12" CTS., VERTICAL.
- (B) 6" HOLLOW BULB TYPE NONMETALLIC WATER SEAL (6" FROM TOP OF WALL TO TOP OF FOOTING).

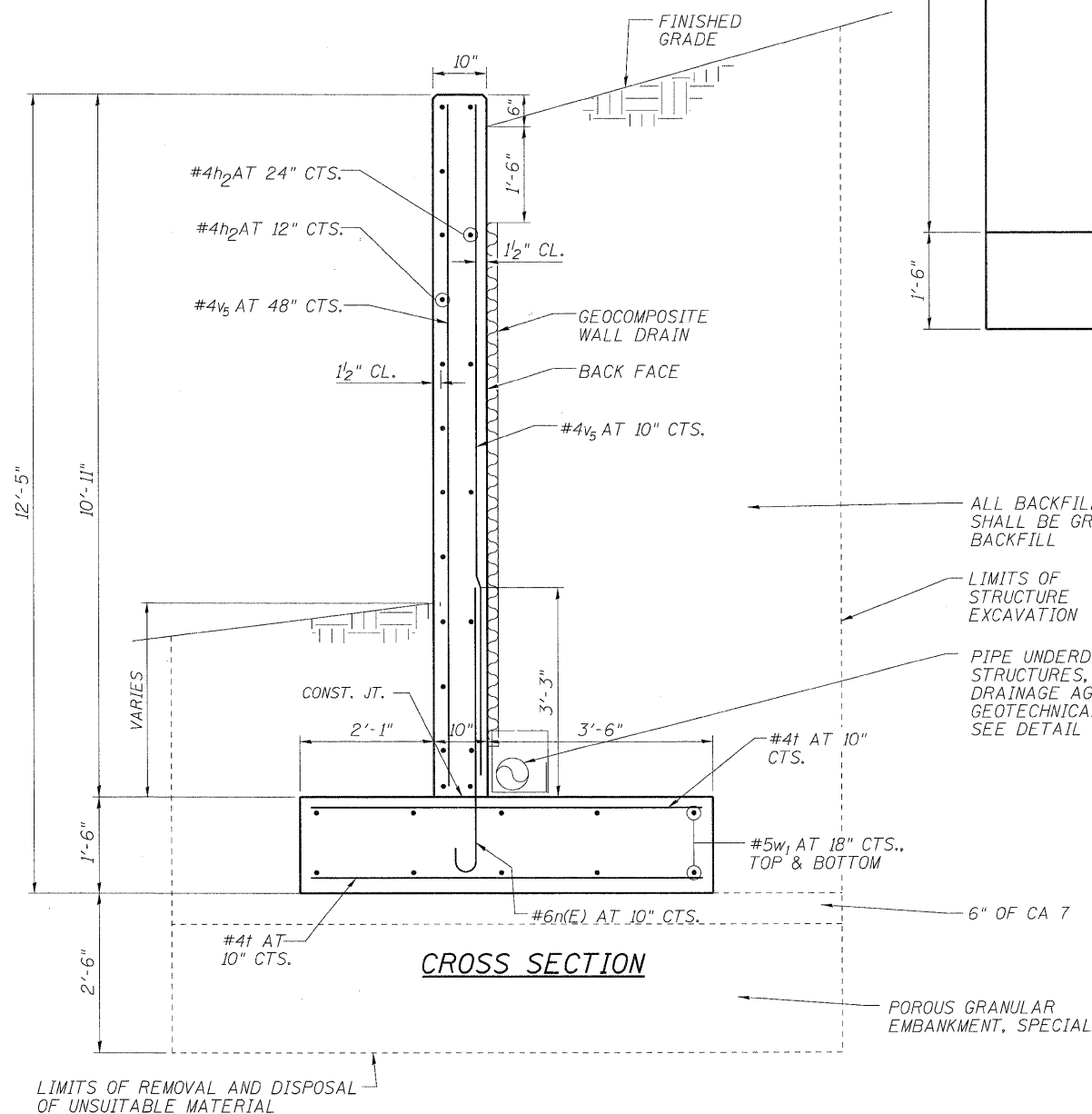
**PLAN**



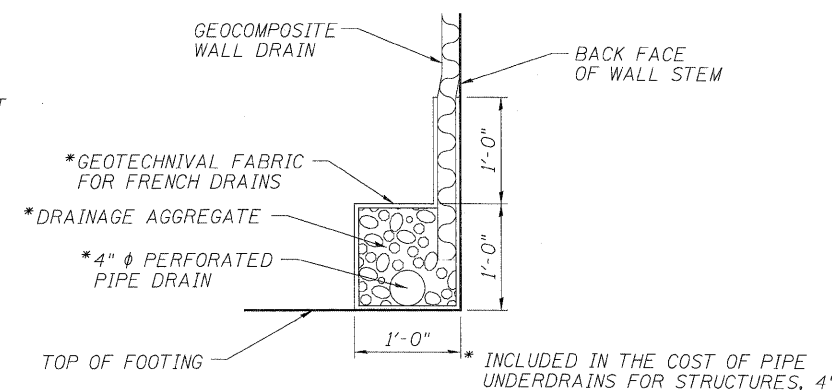
**ELEVATION**

**NOTES**

1. ALL EDGES SHALL HAVE STANDARD 3/4" CHAMFERS, EXCEPT AS NOTED.
2. REINFORCEMENT BARS DESIGNATED (E) SHALL BE EPOXY COATED.
3. SEE HEADWALL DETAILS SHEET FOR BILL OF MATERIAL.
4. PROVIDE PROTECTIVE COAT ON TOP HORIZONTAL SURFACES AND TOP 12" ON INSIDE FACES OF WINGWALLS.
5. THE MAXIMUM DESIGN SOIL BEARING PRESSURE AT THE TOE OF THE WINGWALL FOOTING IS 2500 PSF.
6. THE COST 6" OF CA 7 UNDER WINGWALL SHALL BE INCLUDED IN THE PRECAST CONCRETE BOX CULVERT 8'x8' ITEM.
7. THE COST OF FURNISHING AND INSTALLATION OF DRAINAGE AGGREGATE AND GEOTECHNICAL FABRIC WILL BE INCLUDED IN THE COST OF THE PIPE UNDERDRAINS FOR STRUCTURES, 6".



**CROSS SECTION**



**DETAIL A**

**WINGWALL DETAILS (WEST WINGWALL)**  
**WEST RIVER ROAD OVER UNNAMED TRIBUTARY TO KANKAKEE RIVER**  
**(0.1 MI NORTH OF IL ROUTE 113)**  
**F.A.U. RT. 0327**  
**SECTION 112 T-2**  
**WILL COUNTY**  
**STA. 82+55.73**  
**STRUCTURE NO. 099-0520**

DESIGNED -	ST
CHECKED -	SLV
DRAWN -	ST
CHECKED -	DJB

**LONCO, INC.**  
 CONSULTING ENGINEERS  
 1560 WALL ST, SUITE 222  
 NAPERVILLE, ILLINOIS 60563 PH: (630) 577-9100

SHEET NO. S5	F.A.U. RTE. 0327	SECTION 112 T-2	COUNTY WILL	TOTAL SHEETS 22	SHEET NO. 17
OF S5 SHEETS	D-91-198-10		CONTRACT NO. 60J17		
FED. ROAD DIST. NO. _		ILLINOIS		FED. AID PROJECT	