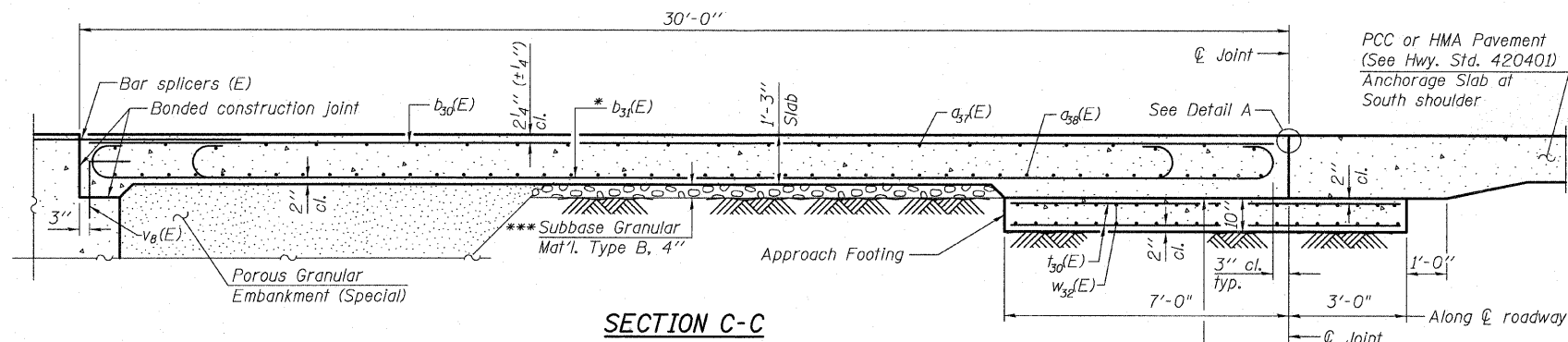


STATE OF ILLINOIS
DEPARTMENT OF TRANSPORTATION

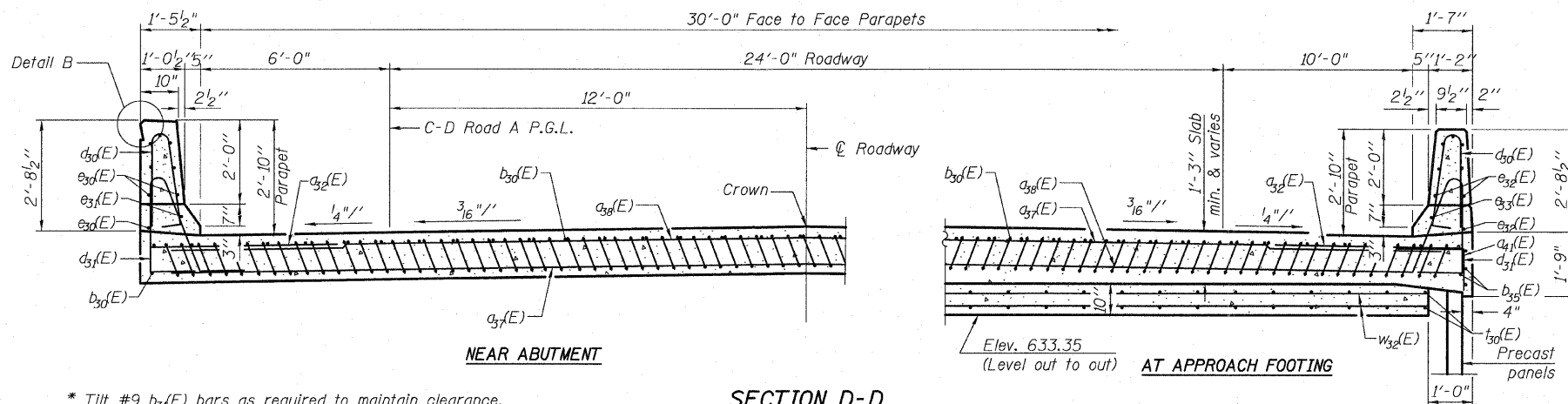
Notes:

See sheet 29 of 68 for Detail A.
Approach slab and parapet concrete shall be paid for as Concrete Superstructure.
Approach footing concrete shall be paid for as Concrete Structures.
Reinforcement shall be paid for as Reinforcement Bars, Epoxy Coated.
For $v_8(E)$ bar details, see sheet 46 of 68.
The approach footing maximum applied service bearing pressure (Q_{max}) = 2.0 ksf.
For bar splicer details, see sheet 56 of 68.
Cost of excavation for approach footing included with Concrete Structures.
For Porous Granular Embankment (Special) and drainage treatment details, see sheet 2 of 68.

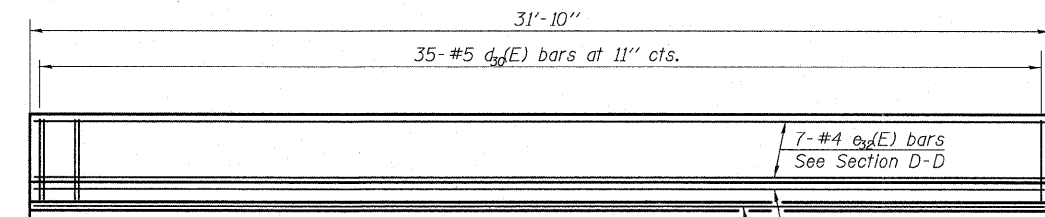
The quantity for Bridge Deck Grooving & Protective Coat for approach slab is included with the quantities on sheet 2 of 68.



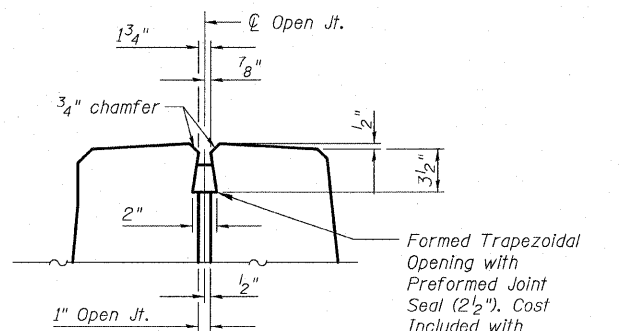
SECTION C-C



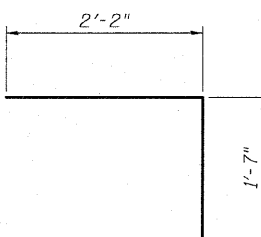
SECTION D-D



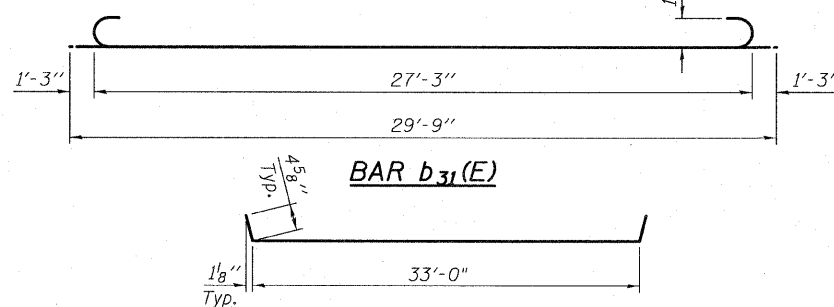
VIEW E-E



DETAIL B

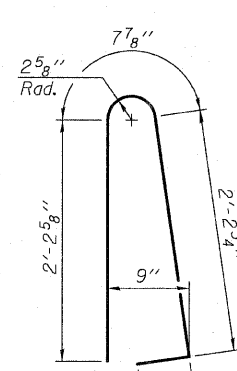


BAR a41(E)

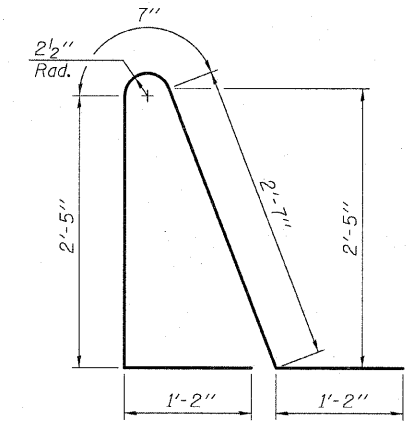


BAR b31(E)

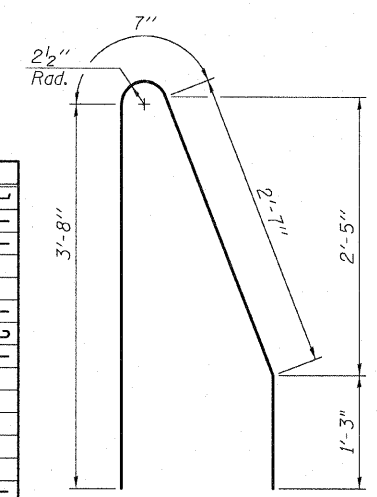
BAR a37(E)



BAR d30(E)



BAR d31(E)



BAR d32(E)

BILL OF MATERIAL

Bar	No.	Size	Length	Shape
a3f(E)	25	#4	46'-4"	—
a34(E)	46	#5	46'-4"	—
a34(E)	50	#6	6'-6"	—
a4f(E)	25	#5	3'-9"	—
b34(E)	36	#4	29'-8"	—
b35(E)	104	#9	29'-9"	—
b34(E)	4	#5	31'-6"	—
d30(E)	70	#5	5'-7"	—
d31(E)	70	#5	7'-11"	—
d32(E)	2	#5	8'-1"	—
e30(E)	8	#4	31'-3"	—
e31(E)	1	#8	31'-3"	—
e32(E)	8	#4	31'-6"	—
e33(E)	1	#8	31'-6"	—
f30(E)	88	#4	9'-8"	—
w30(E)	40	#5	44'-3"	—
Concrete Superstructure		Cu. Yd.	75.1	
Concrete Structures		Cu. Yd.	14.4	
(1.) Reinforcement Bars, Epoxy Coated		Pound	18,830	

(1.) 2,420 pounds billed in Substructure
Total in Total Bill of Material on Sheet 2

EAST APPROACH SLAB C-D ROAD A -2
STRUCTURE NO. 016-1251

TYLIN INTERNATIONAL	DESIGNED - JMA	REVISIONS		SHEET NO. 30 68 SHEETS	F.A.I. RTE.	SECTION	COUNTY	TOTAL SHEETS	SHEET NO.
	CHECKED - SP,	NAME	DATE		57	1414.2B	COOK	516	275
	DRAWN - JMA				CONTRACT NO. 60J27				
	CHECKED - SP,PDF				FED. ROAD DIST. NO. 1 ILLINOIS FED. AID PROJECT				
	DATE - 03/18/10								

P:\60254067-2941\STRUCTURAL\1-57_OVER_1294\0161251-60J27-030-E_APPR2.dgn 3/17/2010