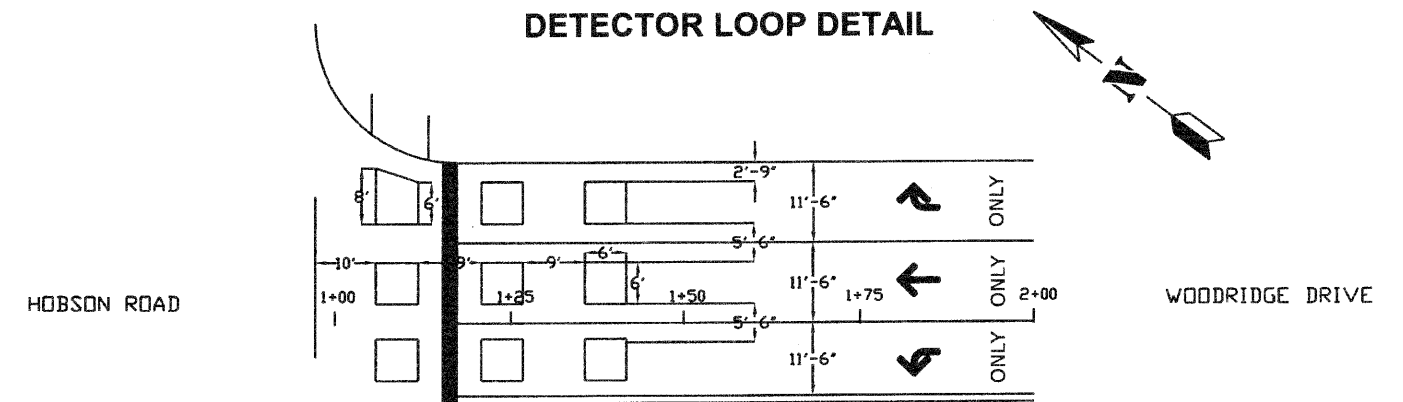


CONTRACT NO. 63348

PAVEMENT QUANTITIES SCHEDULE												
STA.	SIDE	LOCATION	PAVEMENT WIDTH (FT)	PAVEMENT LENGTH (FT)	PAVEMENT AREA (SQ. FT.)	PAVEMENT AREA (SQ. YD.)	40600100 BITUMINOUS MATERIALS PRIME COAT (GALLON)	40600300 AGGREGATE PRIME COAT (TON)	40600826 POLYMERIZED LEVEL BINDER (TON)	40603335 HMA SURFACE COURSE, MIX "D", N50 (TON)	44000160 HMA SURFACE REMOVAL, 2 3/4" (SQ. YD.)	
1+00 TO 2+35		MAINLINE	48	135	6480	720.0	144	2.2	40.3	70.6	720.0	
2+30 TO 4+00		MAINLINE	41.2	170	7004	778.2	156	2.3	43.6	76.3	778.2	
4+00 TO 9+00		MAINLINE	34.1	500	17050	1894.4	379	5.7	106.1	185.7	1894.4	
9+00 TO 24+00		MAINLINE	34	1500	51000	5666.7	1133	17.0	317.3	555.3	5666.7	
24+00 TO 26+00		MAINLINE	35.8	200	7160	795.6	159	2.4	44.6	78.0	795.6	
26+00 TO 36+12		MAINLINE	58	1012	58696	6521.8	1304	19.6	365.2	639.1	6521.8	
3+50	LT	MITCHELL DRIVE	BEGIN REMOVAL 15' FROM MAINLINE		675	75.0	15	0.2	4.2	7.4	75.0	
5+00	RT	ROBERTS DRIVE	BEGIN REMOVAL 15' FROM MAINLINE		675	75.0	15	0.2	4.2	7.4	75.0	
9+25	LT	BURKE COURT	BEGIN REMOVAL 15' FROM MAINLINE		615	68.3	14	0.2	3.8	6.7	68.3	
11+25	RT	MARTIN DRIVE	BEGIN REMOVAL 15' FROM MAINLINE		525	58.3	12	0.2	3.3	5.7	58.3	
12+50	LT	KINCAID DRIVE	BEGIN REMOVAL 15' FROM MAINLINE		585	65.0	13	0.2	3.6	6.4	65.0	
16+00	RT	COOPER COURT	BEGIN REMOVAL 15' FROM MAINLINE		540	60.0	12	0.2	3.4	5.9	60.0	
19+75	RT	WILLIAMS DRIVE	BEGIN REMOVAL 15' FROM MAINLINE		705	78.3	16	0.2	4.4	7.7	78.3	
19+75	LT	WESTMORELAND DRIVE	BEGIN REMOVAL 15' FROM MAINLINE		720	80.0	16	0.2	4.5	7.8	80.0	
27+50	LT	JANESWOOD DRIVE	BEGIN REMOVAL 40' FROM MAINLINE		1520	168.9	34	0.5	9.5	16.6	168.9	
							3421	51	958	1676	17106	
							GAL	TON	TON	TON	SY	

RESURFACING LIMITS (BUTT JOINT SCHEDULE)

STA.	SIDE	LOCATION	BUTT JOINT	PAVEMENT BUTT JOINT LENGTH (FT)	PAVEMENT BUTT JOINT WIDTH (FT)	40600982 HOT MIX ASPHALT SURFACE REMOVAL - BUTT JOINT (SQ. YD.)
1+00		HOBSON ROAD		88	10	98
3+50	LT	MITCHELL DRIVE	BEGIN REMOVAL 15' FROM MAINLINE	38	10	42
5+00	RT	ROBERTS DRIVE	BEGIN REMOVAL 15' FROM MAINLINE	38	10	42
9+25	LT	BURKE COURT	BEGIN REMOVAL 15' FROM MAINLINE	28	10	31
11+25	RT	MARTIN DRIVE	BEGIN REMOVAL 15' FROM MAINLINE	28	10	31
12+50	LT	KINCAID DRIVE	BEGIN REMOVAL 15' FROM MAINLINE	28	10	31
16+00	RT	COOPER COURT	BEGIN REMOVAL 15' FROM MAINLINE	28	10	31
19+75	RT	WILLIAMS DRIVE	BEGIN REMOVAL 15' FROM MAINLINE	38	10	42
19+75	LT	WESTMORELAND DRIVE	BEGIN REMOVAL 15' FROM MAINLINE	38	10	42
27+50	LT	JANESWOOD DRIVE	BEGIN REMOVAL 40' FROM MAINLINE	50	10	56
36+12		CENTER DRIVE		90	10	100
						547
						SY



NOT TO SCALE

DETECTOR LOOP SCHEDULE		
STA.	LOCATION/DIRECTION	88600100 DETECTOR LOOP TYPE 1 (FOOT)
1+10	LEFT TURN LANE AT HOBSON	178
1+10	THROUGH LANE AT HOBSON	222
1+10	RIGHT TURN LANE AT HOBSON	162
		562
		FEET

VILLAGE OF WOODRIDGE PUBLIC WORKS
1 Plaza Drive, Woodridge IL 60517 (630) 719-4753

**WOODRIDGE DRIVE
REHABILITATION PROJECT**

RESURFACING SCHEDULE

DRAWN BY: AF

CHECKED BY: SM