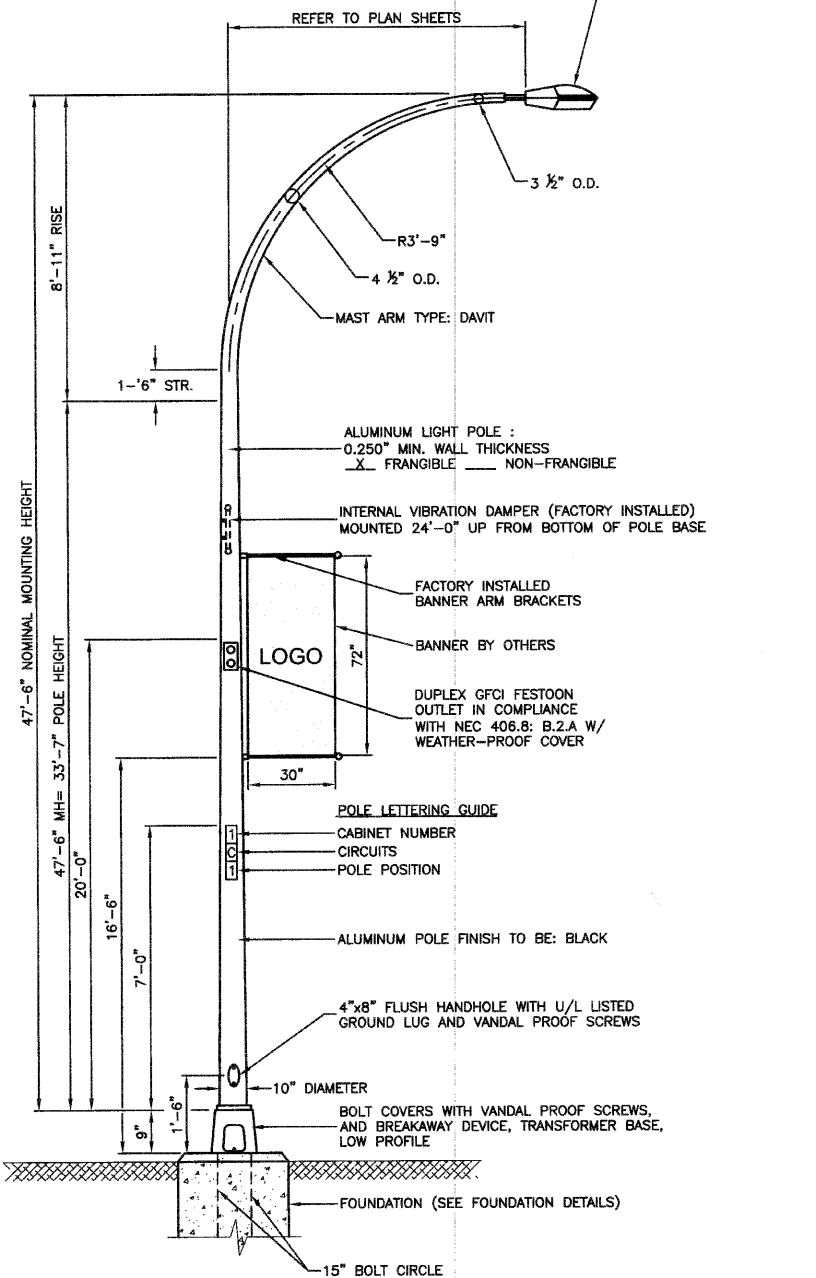


LUMINAIRE: FINISH TO BE BLACK
 400 WATT HIGH PRESSURE SODIUM LAMP
 240 VOLT BALLAST
 I.E.S. TYPE: MC III LIGHT DISTRIBUTION
 (MEDIUM FULL CUTOFF TYPE 3)
 LENS TYPE: FLAT
 INITIAL LAMP LUMENS: 50,000
 LAMP LIFE: 24,000 HOURS

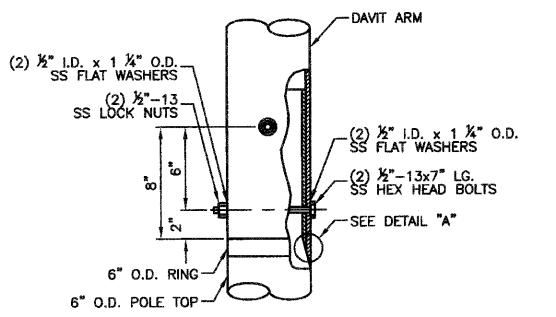
DATE	
BY	
PLAN	
SURVEYED	
ALIGNED	
NOTED	
RT. OF WAY CHECKED	
NO. FILE NAME	

DATE	
BY	
PROFILE	
SURVEYED	
ALIGNED	
NOTED	
RT. OF WAY CHECKED	
NO. FILE NAME	

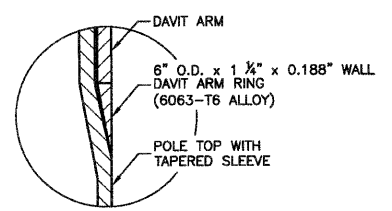


- NOTES:
1. THE LIGHTING UNITS SHALL MEET AASHTO DESIGN CRITERIA. DESIGN FOR 90 M.P.H. WIND WITH 30% GUST AND 75 POUND LUMINAIRE HAVING AN E.P.A. OF 1.6 SQ. FT. AND PROPER ICE LOADING.
 2. ALUMINUM ALLOY 6063-T6 SHALL BE USED.

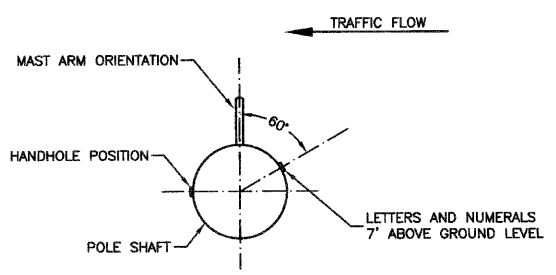
TYPICAL POLE INSTALLATION (47.5' MH)
 HARLEM AVENUE



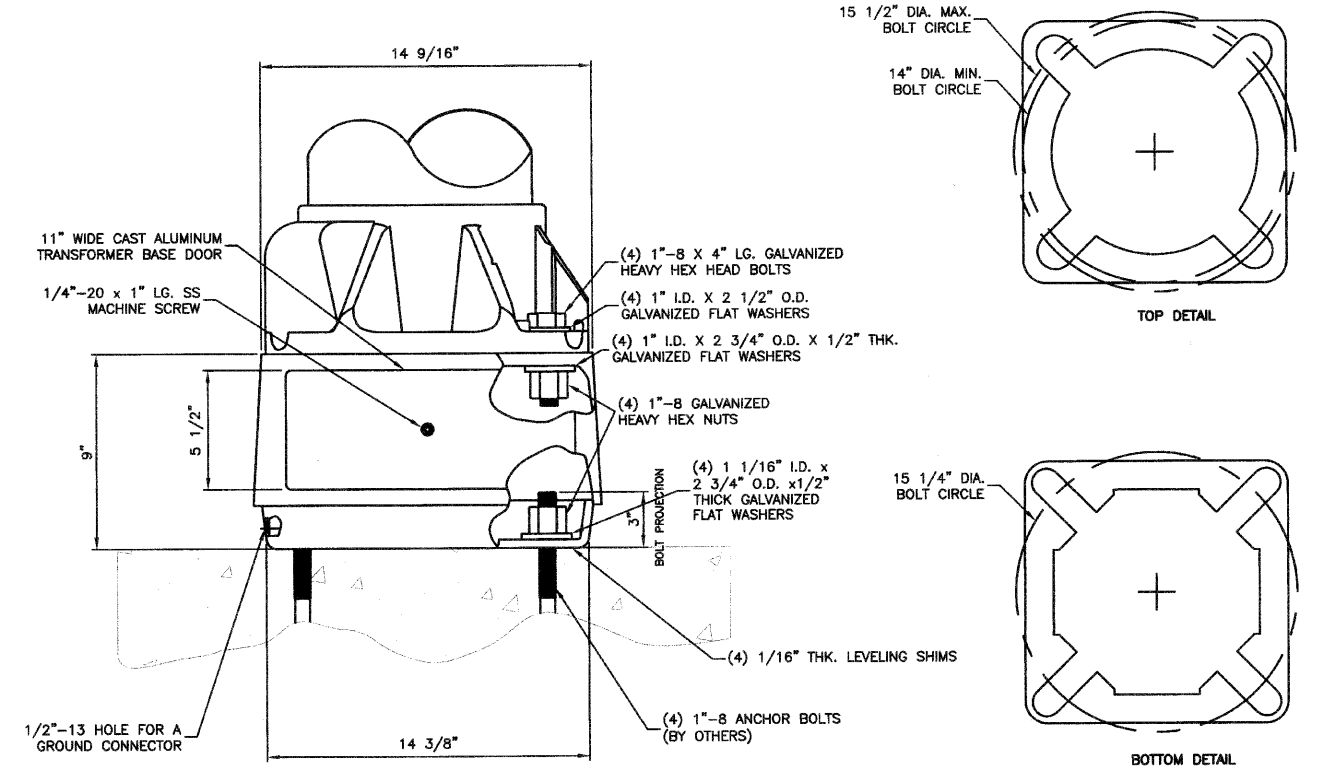
CONNECTION DETAIL



DETAIL "A"



POSITION OF HANDHOLE AND NUMERALS ON POLE



TRANSFORMER BASE DETAIL, 15" BOLT CIRCLE

- NOTES:
1. BREAKAWAY DEVICE TO BE AASHTO APPROVED.
 2. TRANSFORMER BASE AND LIGHTPOLE TO BE LEVELED AS ONE UNIT USING LEVELING SHIMS IF REQUIRED.
 3. ALUMINUM ALLOY FINISH TO BE BLACK.

FILE NAME = 09301-LGHT-02 - P01	USER NAME =	DESIGNED -- PAP	REVISED -- #1 06-11-10	STATE OF ILLINOIS DEPARTMENT OF TRANSPORTATION	HARLEM AVENUE 71ST STREET TO NORTH OF 70TH STREET STREET LIGHTING DETAILS	F.A.P. RTE.	SECTION	COUNTY	TOTAL SHEETS	SHEET NO.
	CHECKED -- PKB	REVISED -- #2 06-29-10	348			10-00062-00-LT	COOK	15	8	
PLOT SCALE = N/A	DRAWN -- MJD	REVISED --	CONTRACT NO. 63486							
PLOT DATE = 04-28-10	CHECKED -- DWS	REVISED --	FED. ROAD DIST. NO. 1 ILLINOIS FED. AID PROJECT ARA-M-9003(670)							

