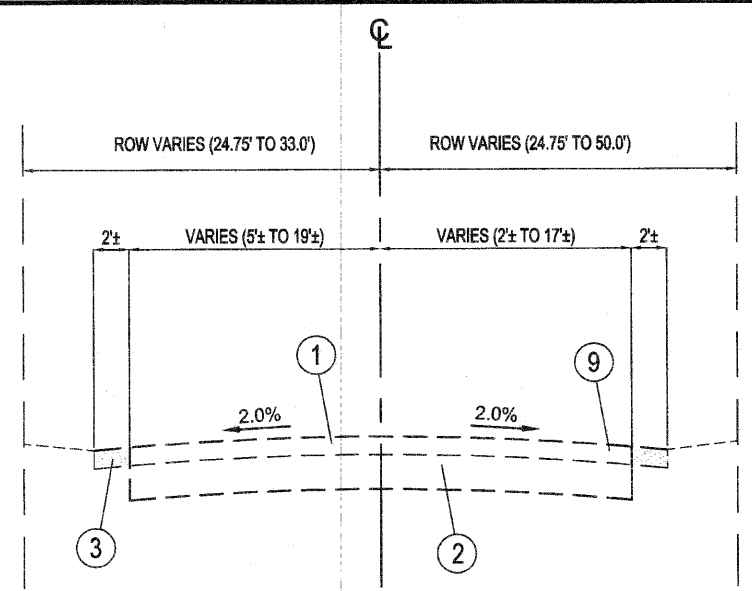
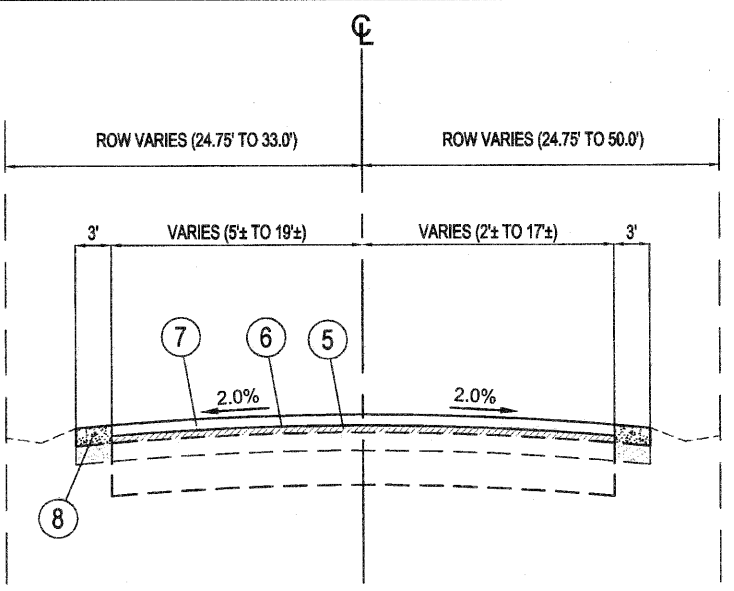


ALIGNMENT AND TIES
(SCALE: 1" = 100')



EXISTING TYPICAL SECTION
STA 1+33 TO STA 57+55, BURVILLE ROAD



PROPOSED TYPICAL SECTION
STA 1+33 TO STA 57+55, BURVILLE ROAD

TYPICAL CROSS SECTIONS
(NOT TO SCALE)

LEGEND

- ① EXISTING HOT-MIX ASPHALT PAVEMENT 4" (+/-)
- ② EXISTING AGGREGATE BASE (DEPTH UNKNOWN)
- ③ EXISTING AGGREGATE SHOULDERS
- ④ BITUMINOUS MATERIALS (PRIME COAT) (0.15 GAL./S.Y.)
- ⑤ POLYMERIZED LEVELING BINDER (MACHINE METHOD), IL-4.75, N50, 1"
- ⑦ HOT MIX ASPHALT SURFACE COURSE, MIX "C", N60, 2 1/4"
- ⑧ AGGREGATE SHOULDERS, TYPE B
- ⑨ HOT-MIX ASPHALT SURFACE REMOVAL - BUTT JOINT

NOTE: CONTRACTOR SHALL MILL BEFORE PATCHING

HOT-MIX ASPHALT MIXTURE REQUIREMENTS

MIXTURE TYPE	AIR VOIDS (%)
PAVEMENT RESURFACING:	
HOT-MIX ASPHALT SURFACE COURSE, MIX "C", N50 (IL-9.5mm), 2 1/4"	4% @ 50 GYR.
POLYMERIZED LEVELING BINDER (MACHINE METHOD), IL-4.75, N50, 1"	4% @ 50 GYR.
CLASS D PATCHES:	
CLASS D PATCHES (HOT-MIX ASPHALT BINDER, IL-19.0, N70), 5"	4% @ 70 GYR.
HMA DRIVEWAY PAVEMENT:	
HOT-MIX ASPHALT SURFACE COURSE, MIX "C", N50 (IL-9.5mm), 2"	4% @ 50 GYR.
HOT-MIX ASPHALT BINDER COURSE, IL-19.0, N70, 5"	4% @ 50 GYR.

NOTES:
THE UNIT WEIGHT USED TO CALCULATE THE SURFACE MIXTURE IS 112 LB./S.Y./IN.
THE "AC TYPE" FOR POLYMERIZED HMA MIXES SHALL BE "SBS/SBR PG 70-22" AND FOR NON-POLYMERIZED HMA THE "AC TYPE" SHALL BE "PG 64-22" UNLESS MODIFIED BY DISTRICT ONE SPECIAL PROVISIONS. FOR "PERCENT OF RAP" SEE DISTRICT ONE SPECIAL PROVISIONS.

TECH 3 Consulting Group, Inc.
ENGINEERS SURVEYORS
737 West Exchange St., O'Fallon, IL 60417
ph 708.672.4804 fax 708.672.3739
ILLINOIS PROFESSIONAL DESIGN FIRM NO. 184-002235

USER NAME =
DESIGNED BY = JSB
DRAWN BY = JJF
PLOT SCALE =
CHECKED BY = RWM
PLOT DATE =
DATE = 4/27/10

REVISED - 6/8/10 PER IDOT
REVISED - 6/28/10 PER IDOT
REVISED -
REVISED -

STATE OF ILLINOIS
DEPARTMENT OF TRANSPORTATION



Village of CRETE
WILL COUNTY, ILLINOIS

BURVILLE ROAD RESURFACING
ALIGNMENT & TIES TYPICAL SECTIONS

F.A.U. RTE	SECTION	COUNTY	TOTAL SHEET	SHEET NO.
4305	10-00046-00-RS	WILL	14	3
FED. ROAD DIST. NO. 1		CONTRACT NO. 63490		
		FED. AID PROJECT		

SCALE: 1" = 100' SHEET NO. 3 OF 14 SHEETS