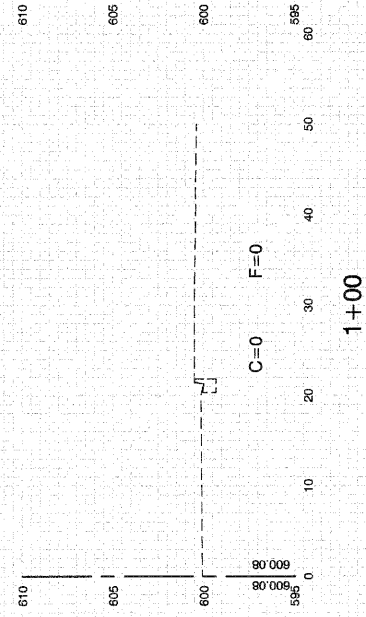
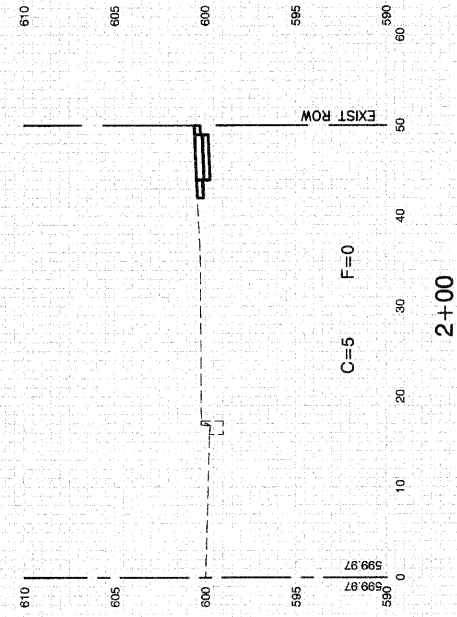
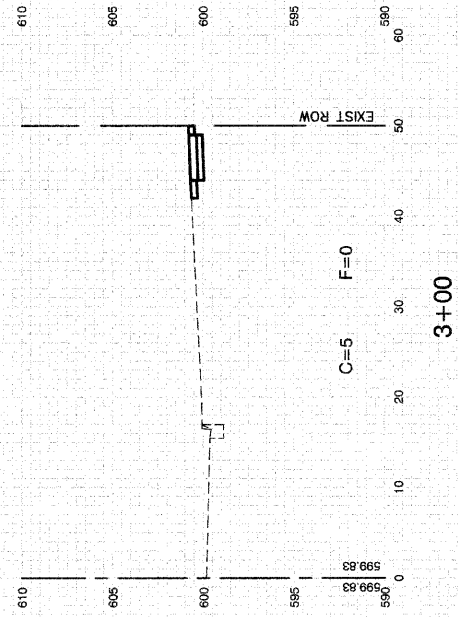
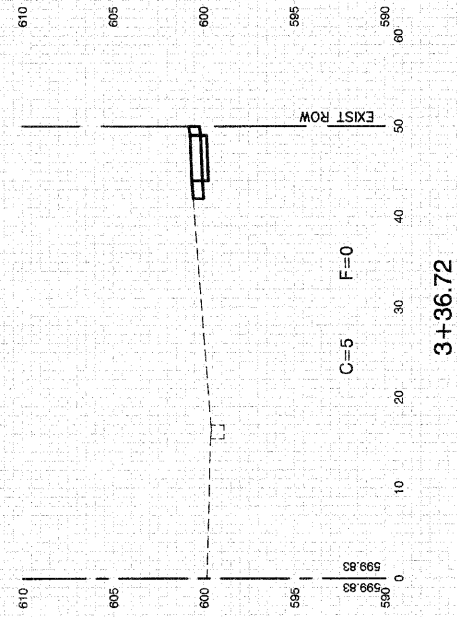
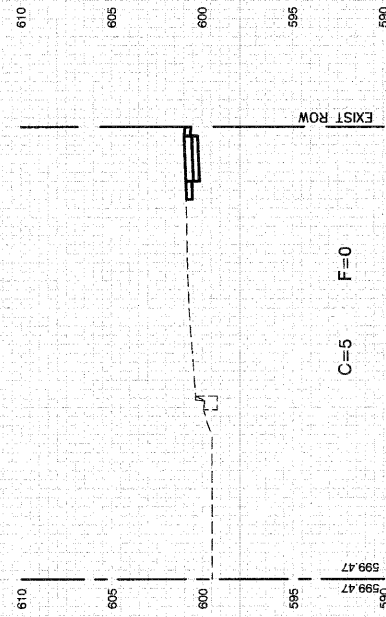
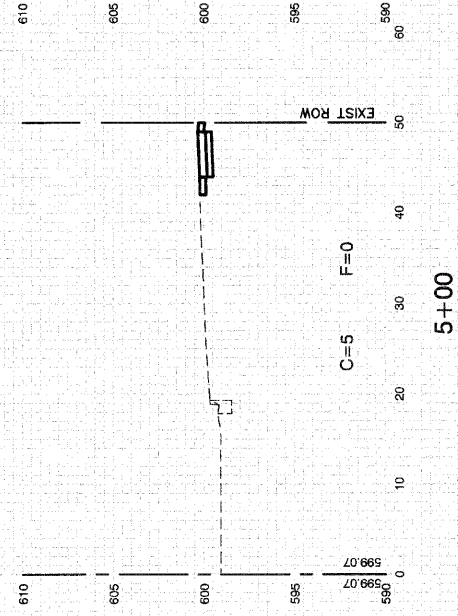
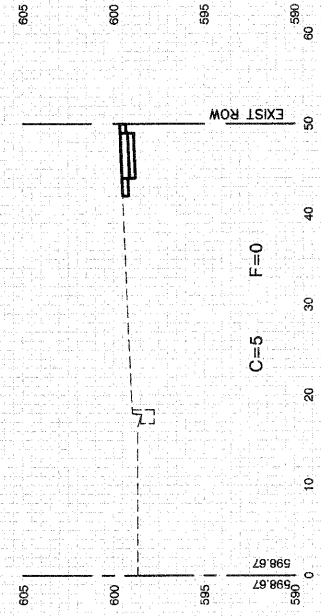
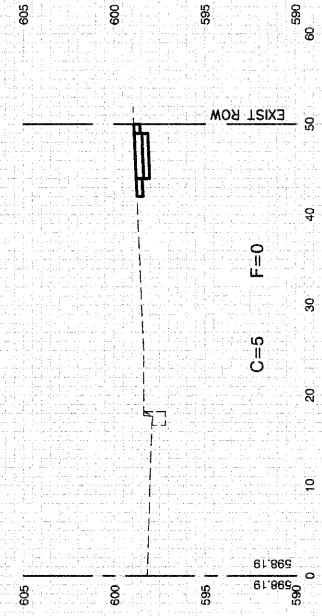
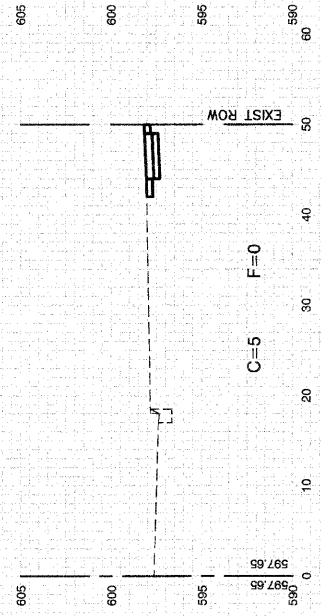
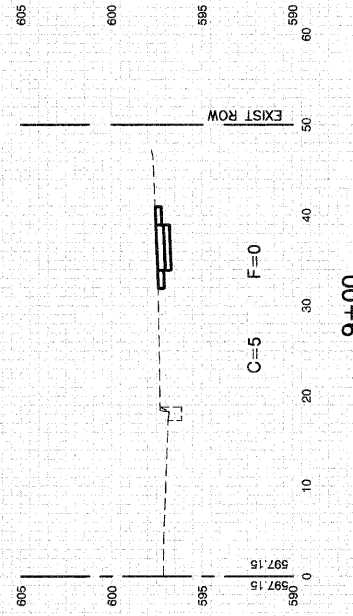
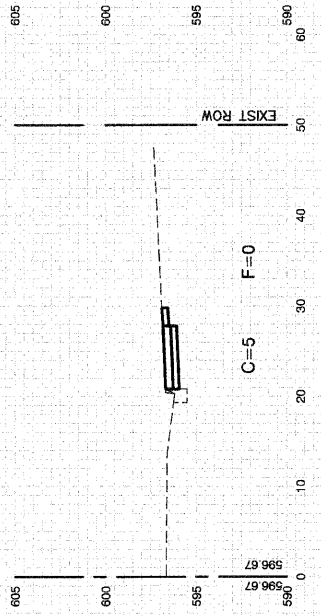


|      |                    |    |      |
|------|--------------------|----|------|
| PLAN | SURVEYED           | BY | DATE |
|      | PLOTTED            |    |      |
|      | CHECKED            |    |      |
|      | RT. OF WAY CHECKED |    |      |
| NO.  | GOOD FILE NAME     |    |      |

|         |                    |    |      |
|---------|--------------------|----|------|
| PROFILE | SURVEYED           | BY | DATE |
|         | PLOTTED            |    |      |
|         | CHECKED            |    |      |
|         | RT. OF WAY CHECKED |    |      |
| NO.     | GOOD FILE NAME     |    |      |



FILE NAME = 10248-XSCT-01 - X01

|                               |             |     |            |
|-------------------------------|-------------|-----|------------|
| USER NAME =                   | DESIGNED -- | TRL | REVISED -- |
|                               | CHECKED --  | TRL | REVISED -- |
| PLOT SCALE = H 1"=10' V 1"=5' | DRAWN --    | RG  | REVISED -- |
| PLOT DATE = 05-28-10          | CHECKED --  | AG  | REVISED -- |

STATE OF ILLINOIS  
DEPARTMENT OF TRANSPORTATION

|                            |                          |
|----------------------------|--------------------------|
| 119TH STREET SIDEWALK PLAN |                          |
| CROSS SECTIONS             |                          |
| ALSIP, ILLINOIS            |                          |
| SCALE: H 1"=10' V 1"=5'    | SHEET NO. 5 OF 10 SHEETS |
| STA. 0+98                  | TO STA. 26+83            |

|                       |                |                  |               |           |
|-----------------------|----------------|------------------|---------------|-----------|
| F.A.U. RTE.           | SECTION        | COUNTY           | TOTAL SHEETS  | SHEET NO. |
| 1585                  | 10-00088-00-SW | COOK             | 10            | 5         |
| CONTRACT NO. 63491    |                |                  |               |           |
| FED. ROAD DIST. NO. 1 | ILLINOIS       | FED. AID PROJECT | ARA-9003(663) |           |