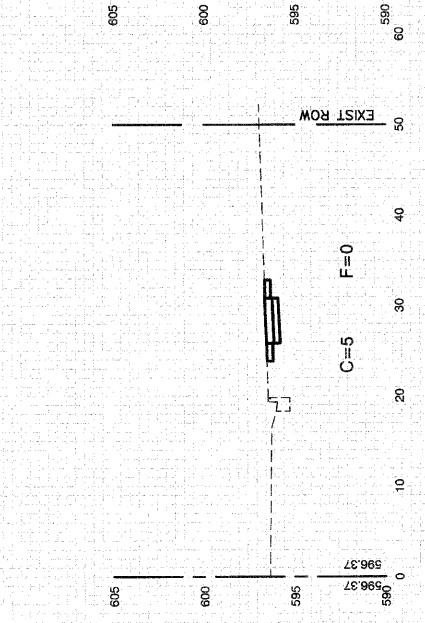
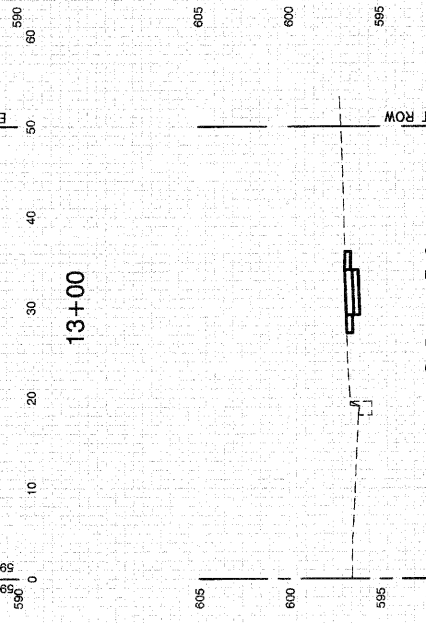
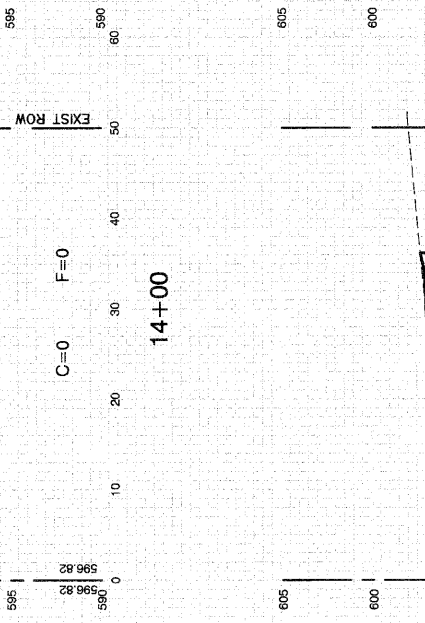
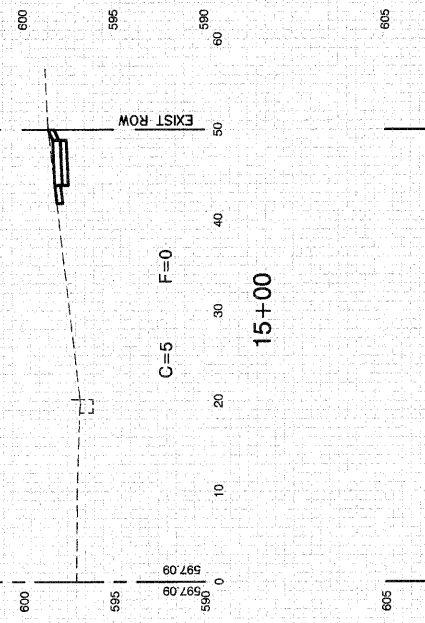
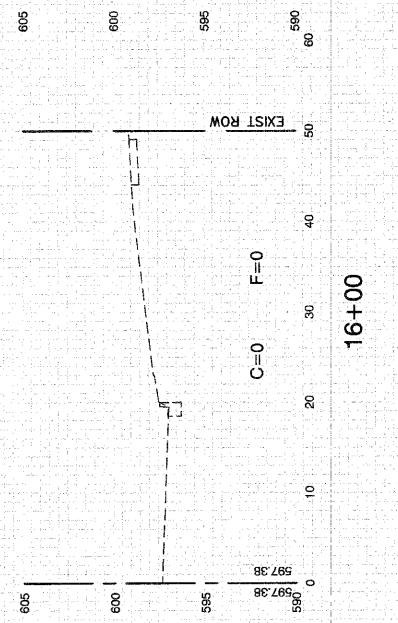
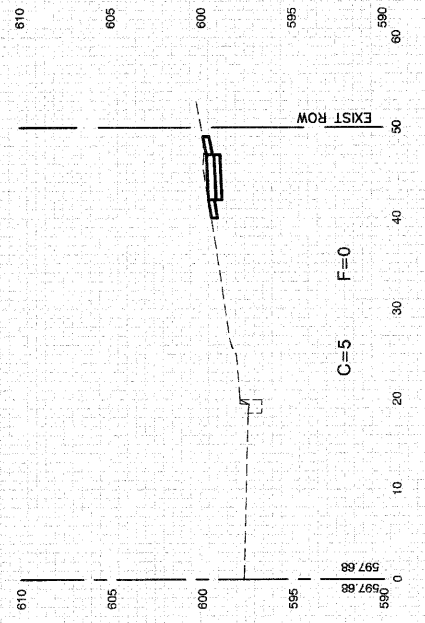
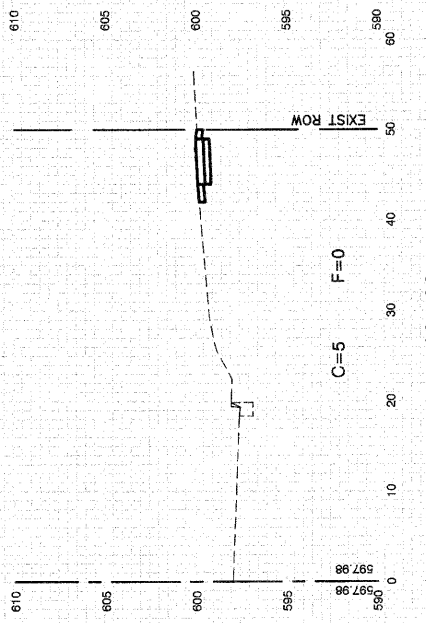
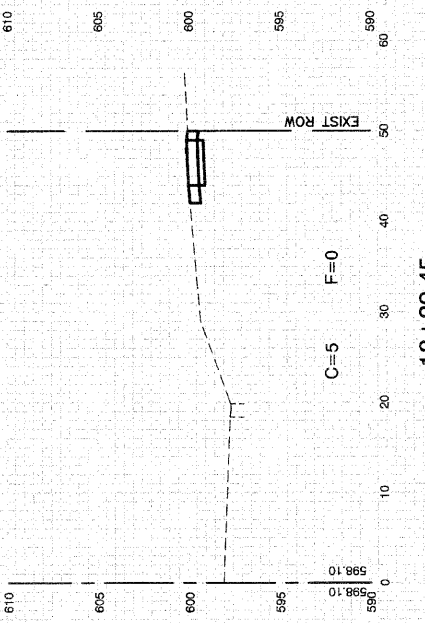
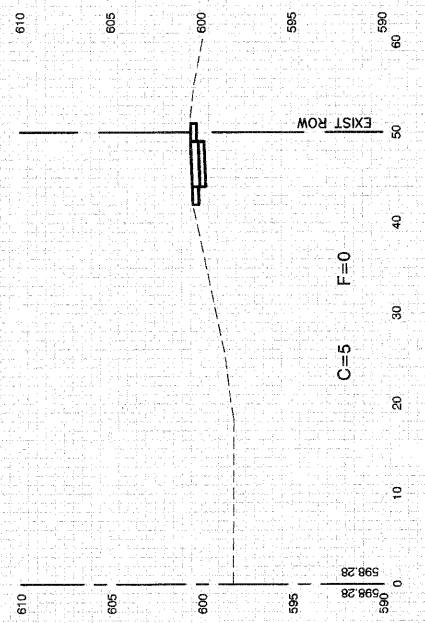
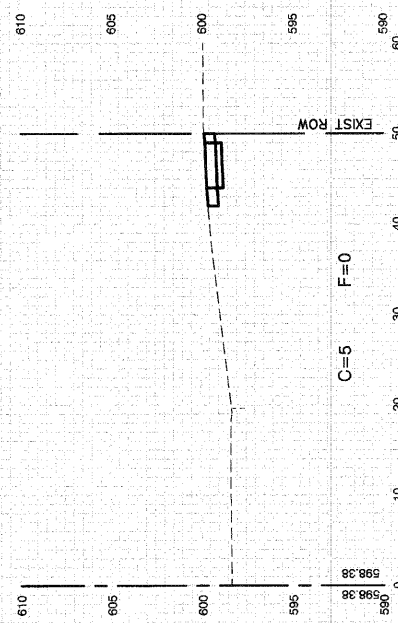


PLAN	SURVEYED	BY	DATE
NOTE BOOK NO.	PLOTTED		
	RT. OF WAY CHECKED		
	CADD FILE NAME		

PROFILE	SURVEYED	BY	DATE
NOTE BOOK NO.	PLOTTED		
	RT. OF WAY CHECKED		



FILE NAME = 10246-XSCT-01 - X02

USER NAME =	DESIGNED --	TRL	REVISED --	
	CHECKED --	TRL	REVISED --	
PLOT SCALE = H 1"=10' V 1"=5'	DRAWN --	RG	REVISED --	
PLOT DATE = 05-28-10	CHECKED --	AG	REVISED --	

STATE OF ILLINOIS
DEPARTMENT OF TRANSPORTATION

119TH STREET SIDEWALK PLAN
CROSS SECTIONS
ALSIP, ILLINOIS

SCALE: H 1"=10' V 1"=5' SHEET NO. 6 OF 10 SHEETS STA. 0+98 TO STA. 26+83

F.A.U. RTE.	SECTION	COUNTY	TOTAL SHEETS	SHEET NO.
1585	10-00088-00-SW	COOK	10	6
CONTRACT NO. 63491				
FED. ROAD DIST. NO. 1	ILLINOIS	FED. AID PROJECT	ARA-9003(663)	