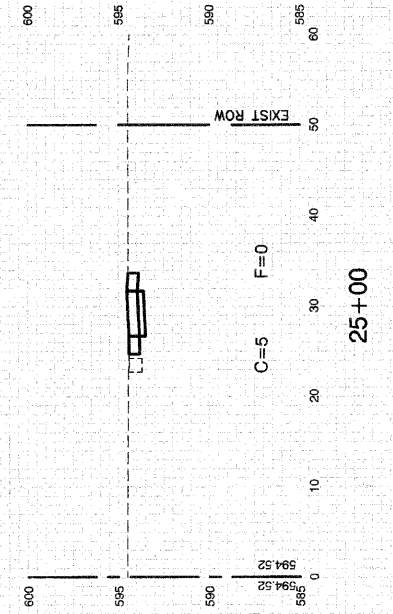
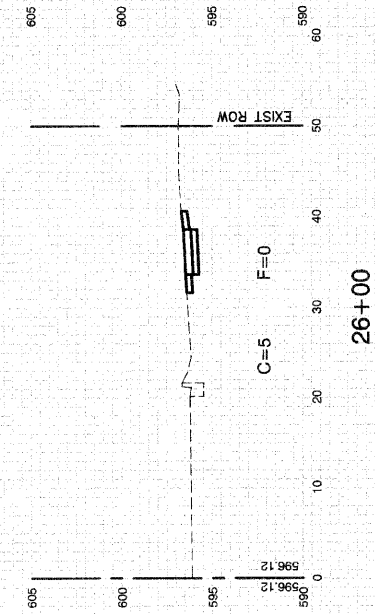
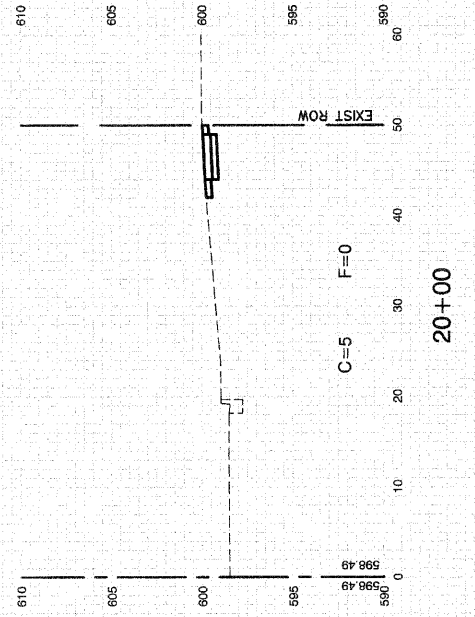
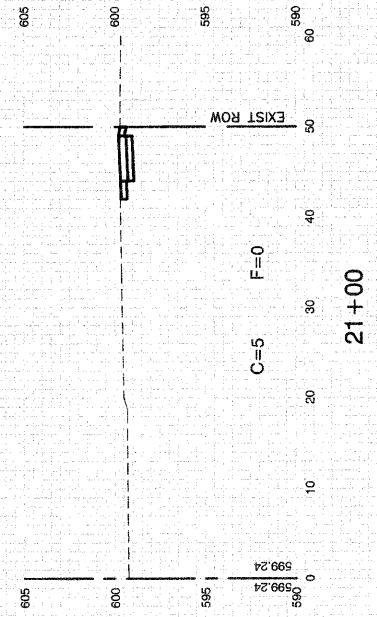
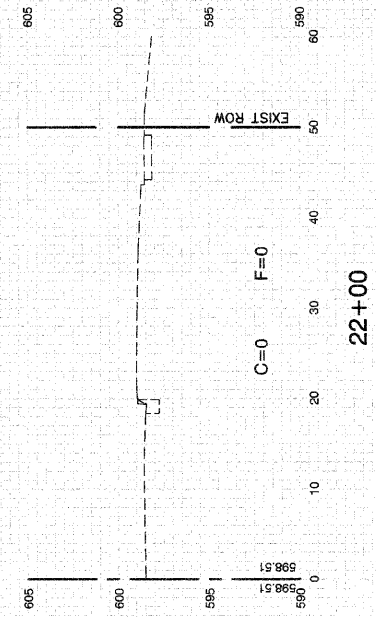
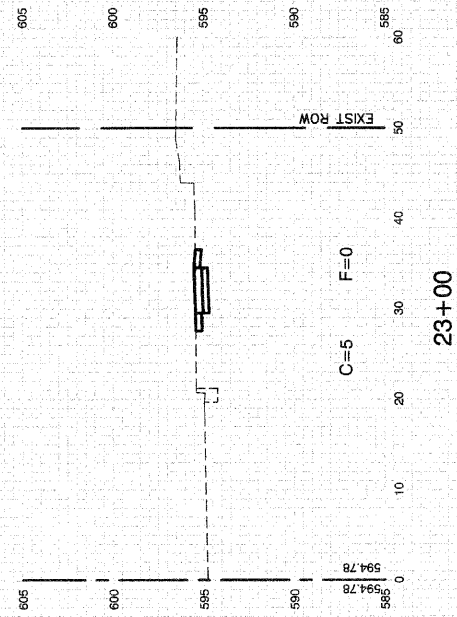
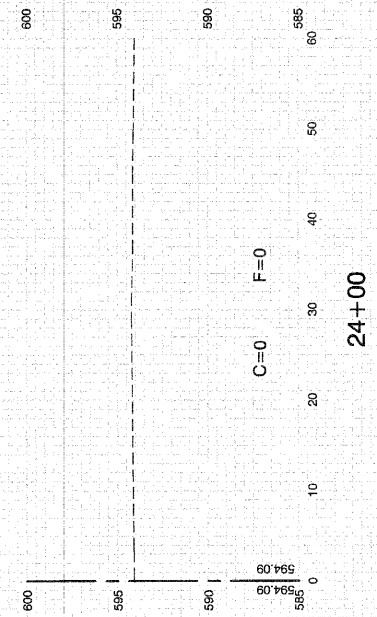


PLAN	SURVEYED	BY	DATE
	PLOTTED		
	NOTE BOOK		
	RT. OF WAY		
	CADD FILE NAME		
	NO.		

PROFILE	SURVEYED	BY	DATE
	PLOTTED		
	NOTE BOOK		
	RT. OF WAY		
	CADD FILE NAME		
	NO.		



FILE NAME = 10246-XSCT-01 - X03

USER NAME =	DESIGNED --	TRL	REVISED --
	CHECKED --	TRL	REVISED --
PLOT SCALE = H 1"=10' V 1"=5'	DRAWN --	RG	REVISED --
PLOT DATE = 05-28-10	CHECKED --	AG	REVISED --

**STATE OF ILLINOIS
DEPARTMENT OF TRANSPORTATION**

119TH STREET SIDEWALK PLAN
CROSS SECTIONS
ALSIP, ILLINOIS

SCALE: H 1"=10' V 1"=5' SHEET NO. 7 OF 10 SHEETS STA. 0+98 TO STA. 26+83

F.A.U. RTE.	SECTION	COUNTY	TOTAL SHEETS	SHEET NO.
1585	10-00088-00-SW	COOK	10	7
CONTRACT NO. 63491				
FED. ROAD DIST. NO. 1	ILLINOIS	FED. AID PROJECT	ARA-6003(663)	