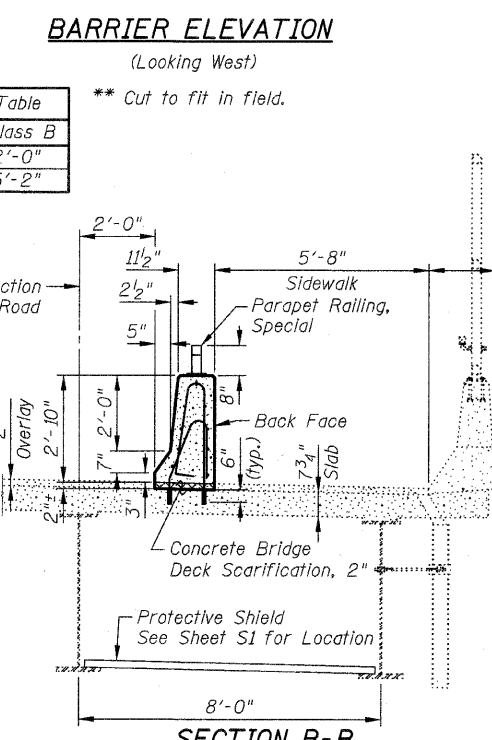
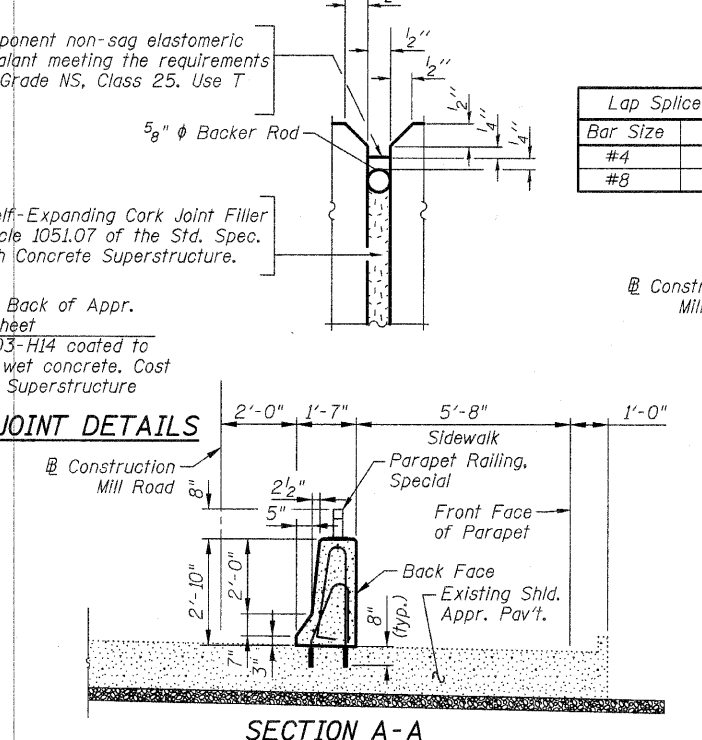
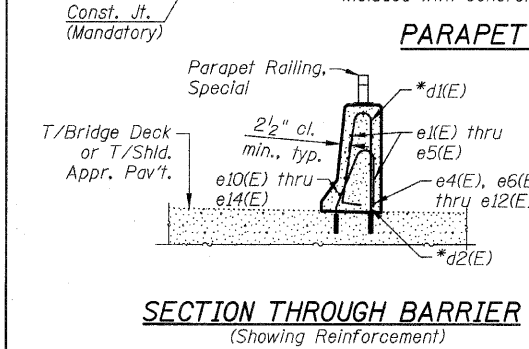
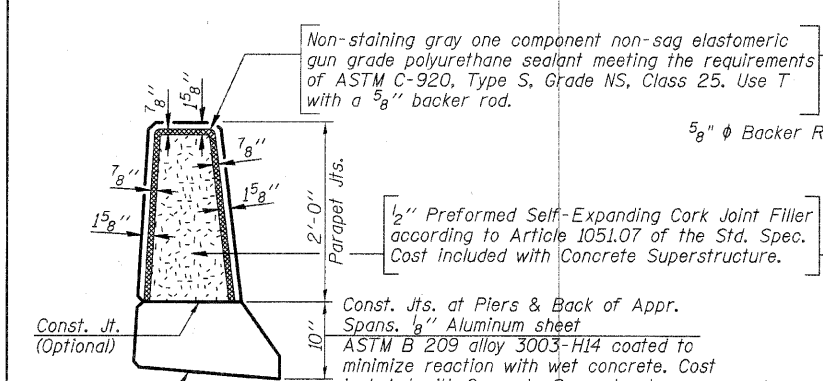
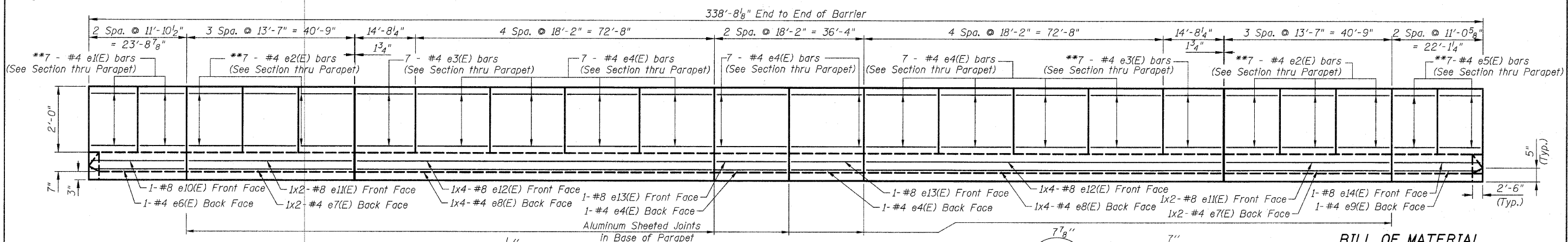
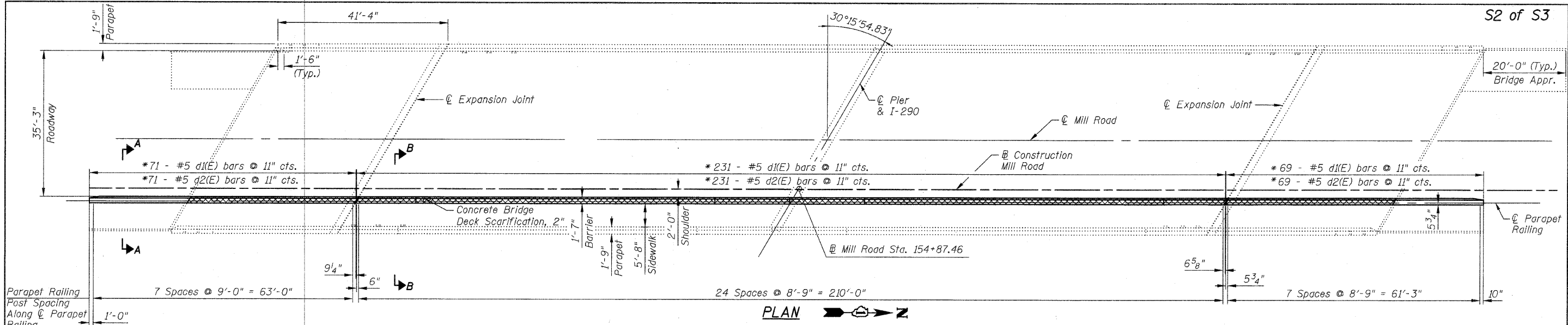


DATE	
BY	
DESIGNED	
DRAWN	
CHECKED	
IN CHARGE	
NO.	

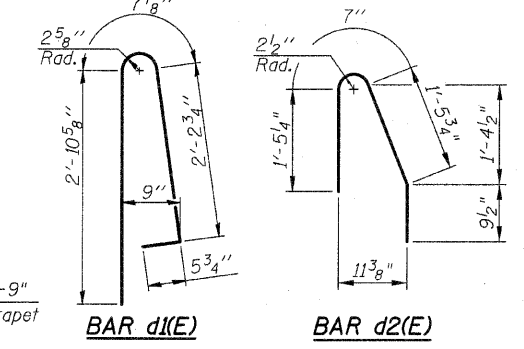
DATE	
BY	
DESIGNED	
DRAWN	
CHECKED	
IN CHARGE	
NO.	



BARRIER ELEVATION
(Looking West)

Lap Splice Table

Bar Size	Class B
#4	2'-0"
#8	5'-2"



*Bars to be epoxy grouted in accordance with Article 584 of the Standard Specifications. Cost included with Reinforcement Bars, Epoxy Coated.

Notes:
For Parapet Railing, Special details see Sheet S3 of S3.
Bars indicated thus 1 x 3-#4 etc. indicates 1 line of bars with 3 lengths per line.

LEGEND
[Hatched Box] - Indicates Concrete Bridge Deck Scarification, 2"

BILL OF MATERIAL

Bar	No.	Size	Length	Shape
d ₁ (E)	371	#5	6'-3"	┘
d ₂ (E)	371	#5	4'-3 1/2"	┘
e ₁ (E)	14	#4	11'-7"	—
e ₂ (E)	28	#4	13'-3"	—
e ₃ (E)	14	#4	14'-5"	—
e ₄ (E)	72	#4	17'-10"	—
e ₅ (E)	14	#4	10'-9"	—
e ₆ (E)	1	#4	23'-5"	—
e ₇ (E)	4	#4	21'-3"	—
e ₈ (E)	8	#4	23'-3"	—
e ₉ (E)	1	#4	21'-9"	—
e ₁₀ (E)	1	#8	24'-1"	—
e ₁₁ (E)	4	#8	22'-10"	—
e ₁₂ (E)	8	#8	25'-8"	—
e ₁₃ (E)	2	#8	17'-10"	—
e ₁₄ (E)	1	#8	21'-1"	—
Protective Shield		Sq. Yd.	120	
Concrete Superstructure		Cu. Yd.	44.9	
Reinforcement Bars, Epoxy Coated		Pound	6,750	
Concrete Bridge Deck Scarification, 2"		Sq. Yd.	52	

* - See Special Provision.