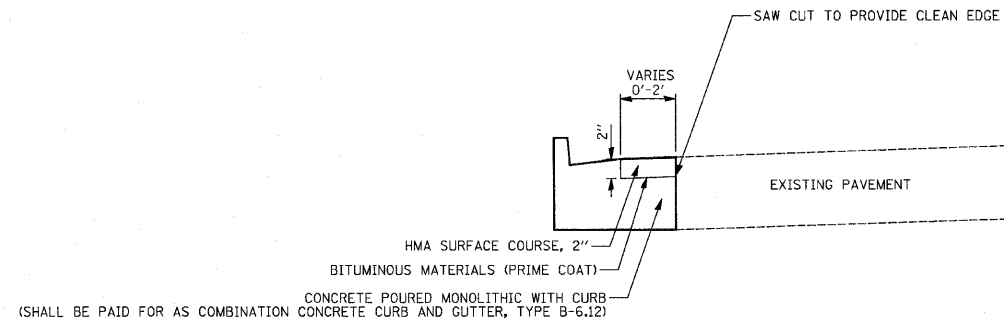
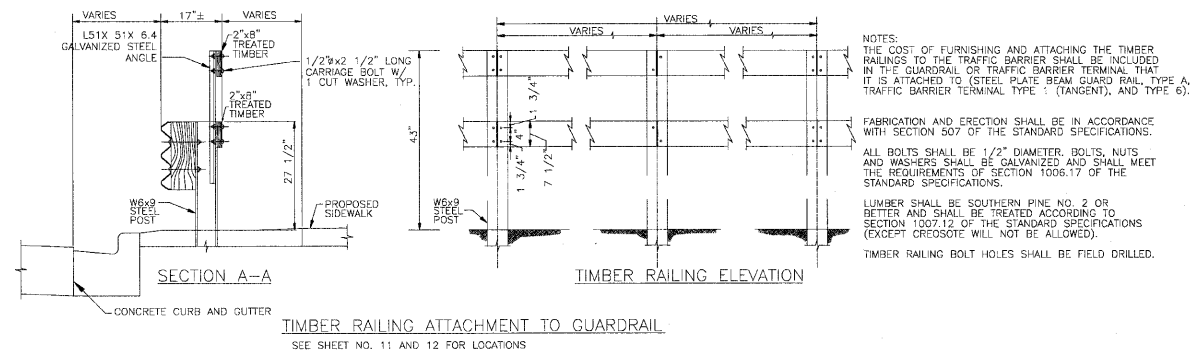
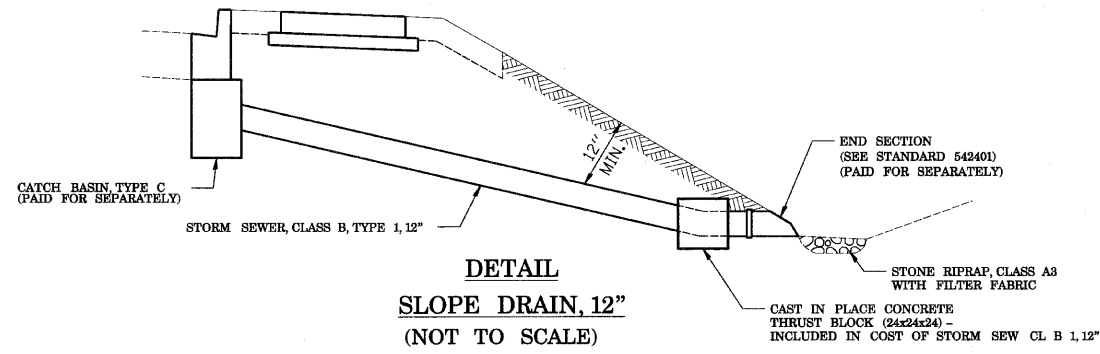


DATE	
BY	
PLAN	
SURVEYED	CHECKED
ALIGNMENT	CHECKED
NOTE BOOK	PAID FILE NAME
NO.	

DATE	
BY	
PROFILE	
SURVEYED	CHECKED
GRADES	CHECKED
NOTE BOOK	STRUCTURE NOTATION
NO.	CRD



DESIGNED -	REVISED -
DRAWN -	REVISED -
CHECKED -	REVISED -
DATE - 7/1/2010	REVISED -

**STATE OF ILLINOIS
DEPARTMENT OF TRANSPORTATION**

ROADWAY CONSTRUCTION DETAILS

SHEET NO. 1 OF 1 SHEETS

F.A.U. RTE.	SECTION	COUNTY	TOTAL SHEETS	SHEET NO.
2625	07-00097-00-SW	DUPAGE	31	25
FED. ROAD DIST. NO. 1 ILLINOIS FED. AID PROJECT				CONTRACT NO. 63502