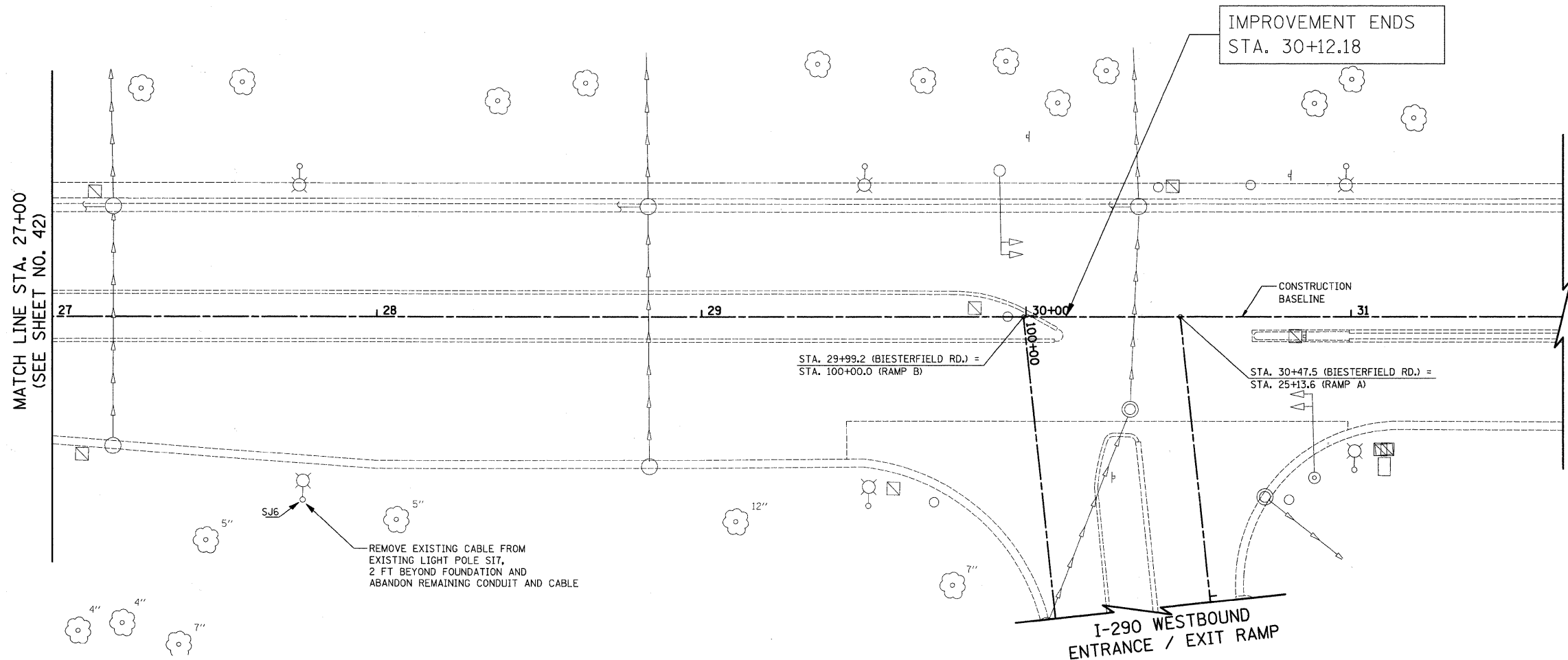


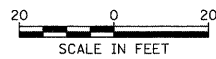
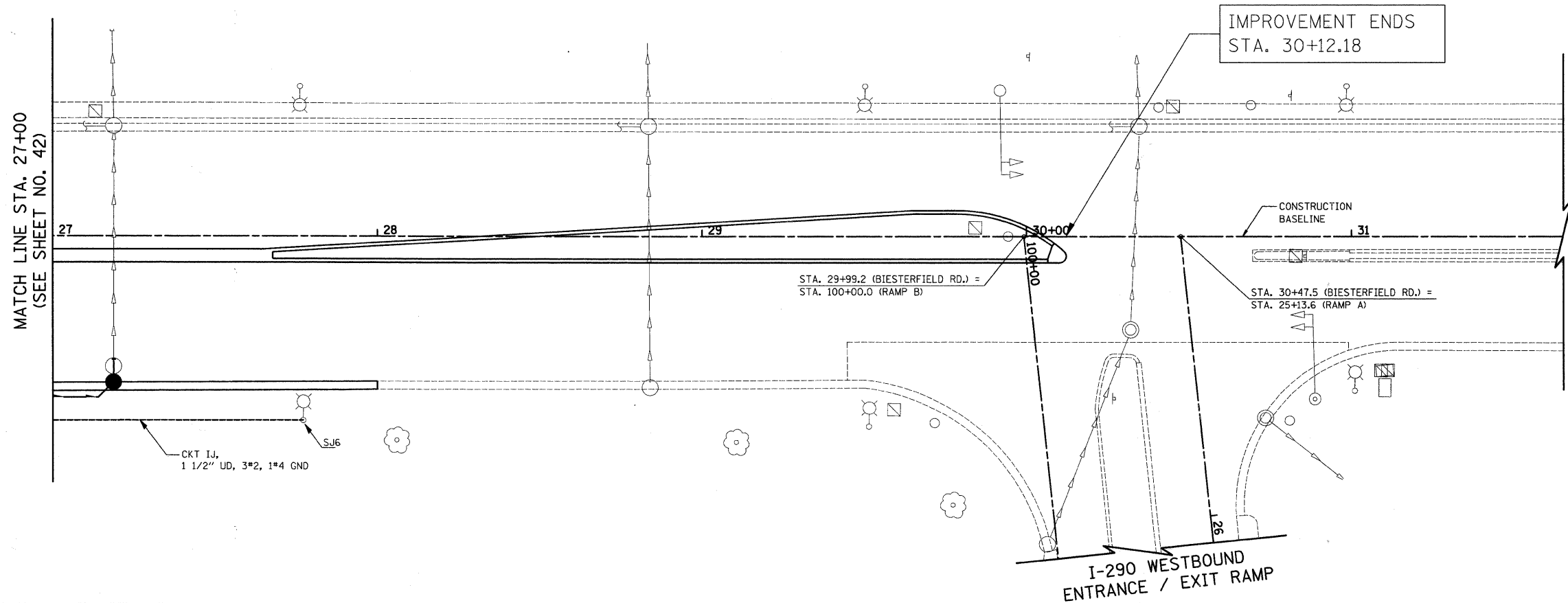
PLAN	DATE
SURVEYED	BY
PLOTTED	
CHECKED	
NOTE BOOK	
NO.	
STRUCTURE	
NOTATIONS	
CHKD	

IL ROUTE 53
(BIESTERFIELD ROAD)
EXISTING LIGHTING PLAN



PROFILE	DATE
SURVEYED	BY
PLOTTED	
CHECKED	
NOTE BOOK	
NO.	
STRUCTURE	
NOTATIONS	
CHKD	

IL ROUTE 53
(BIESTERFIELD ROAD)
PROPOSED LIGHTING PLAN



FILE NAME = ...oad\sheet\2349.Light 04.dgn

USER NAME = djc
DESIGNED - EE
DRAWN - DJK
CHECKED - DEM
DATE - 07-07-10
REVISIONS
REVISED -
REVISED -
REVISED -
REVISED -

STATE OF ILLINOIS
DEPARTMENT OF TRANSPORTATION

IL ROUTE 53 (BIESTERFIELD ROAD) @ I-290
LIGHTING PLAN

SCALE: 1" = 20' SHEET NO. 4 OF 5 SHEETS STA. 27+00.0 TO STA. 30+12.18

F.A.U. RTE. 1339	SECTION 09-00054-00-CH	COUNTY COOK	TOTAL SHEETS 88	SHEET NO. 43
CONTRACT NO. 63505				
FED. ROAD DIST. NO. 1 ILLINOIS FED. AID PROJECT ARA-N-9003569				