

ROUTE NO.	SECTION	COUNTY	TOTAL SHEETS	SHEET NO.
F.A.U. 1339	09-00054-00-CH	COOK	88	58
FED. ROAD DIST. NO. 7	ILLINOIS	FED. AID PROJECT - ARA-H-0003569		

Contract # 63505

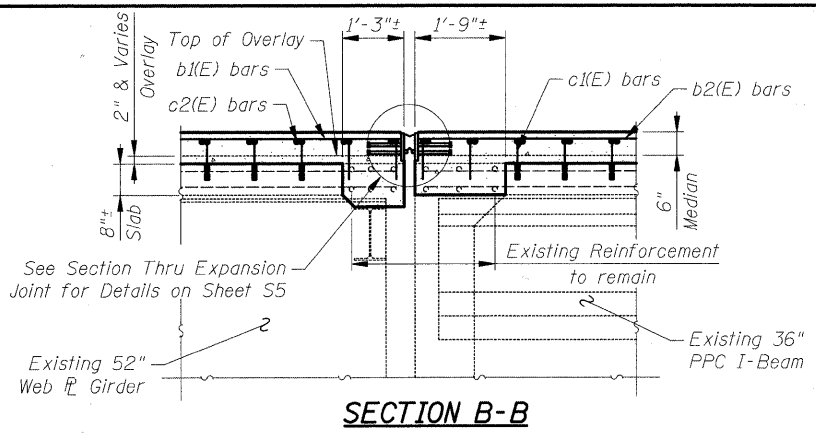
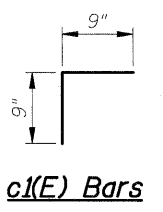
**BILL OF MATERIAL**  
(For Median)

Bar	No.	Size	Length	Shape
b <sub>1</sub> (E)	8	#5	26'-11"	—
b <sub>2</sub> (E)	8	#5	18'-6"	—
b <sub>3</sub> (E)	8	#5	23'-4"	—
c <sub>1</sub> (E)	264	#5	1'-6"	┐
c <sub>2</sub> (E)	132	#5	2'-8"	—

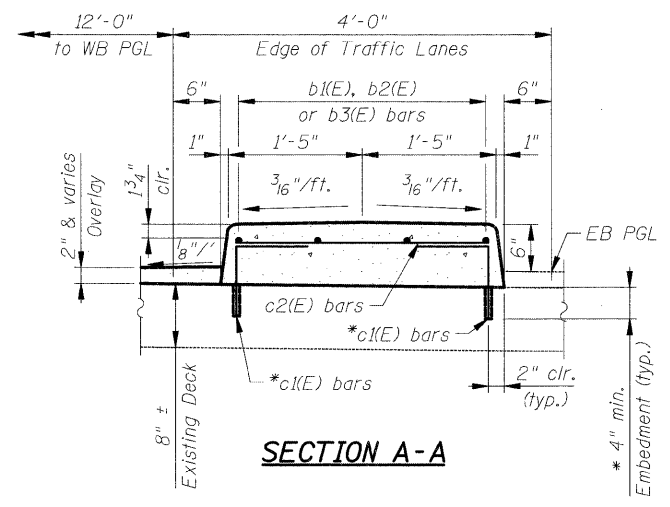
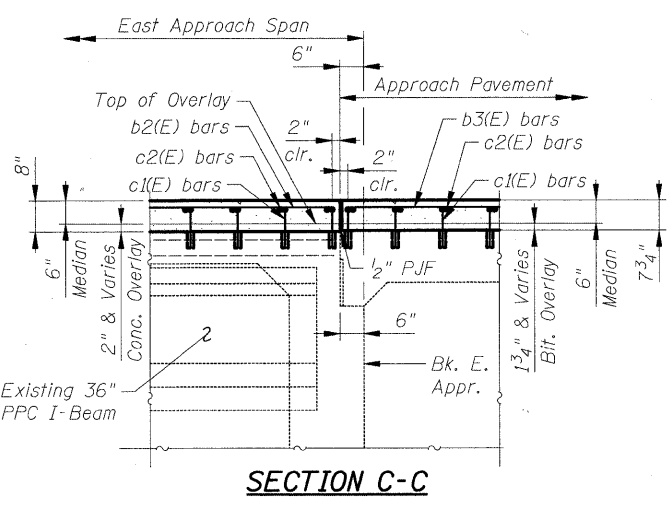
Item	Unit	Quantity
Concrete Superstructures	Cu. Yd.	10.8
Reinforcement Bars, Epoxy Coated	Pound	1,370
Bridge Deck Concrete Overlay	Sq. Yd.	31

Note:  
Bars indicated thus 4x2-#5 etc. indicates 4 lines of bars with 2 lengths per line.

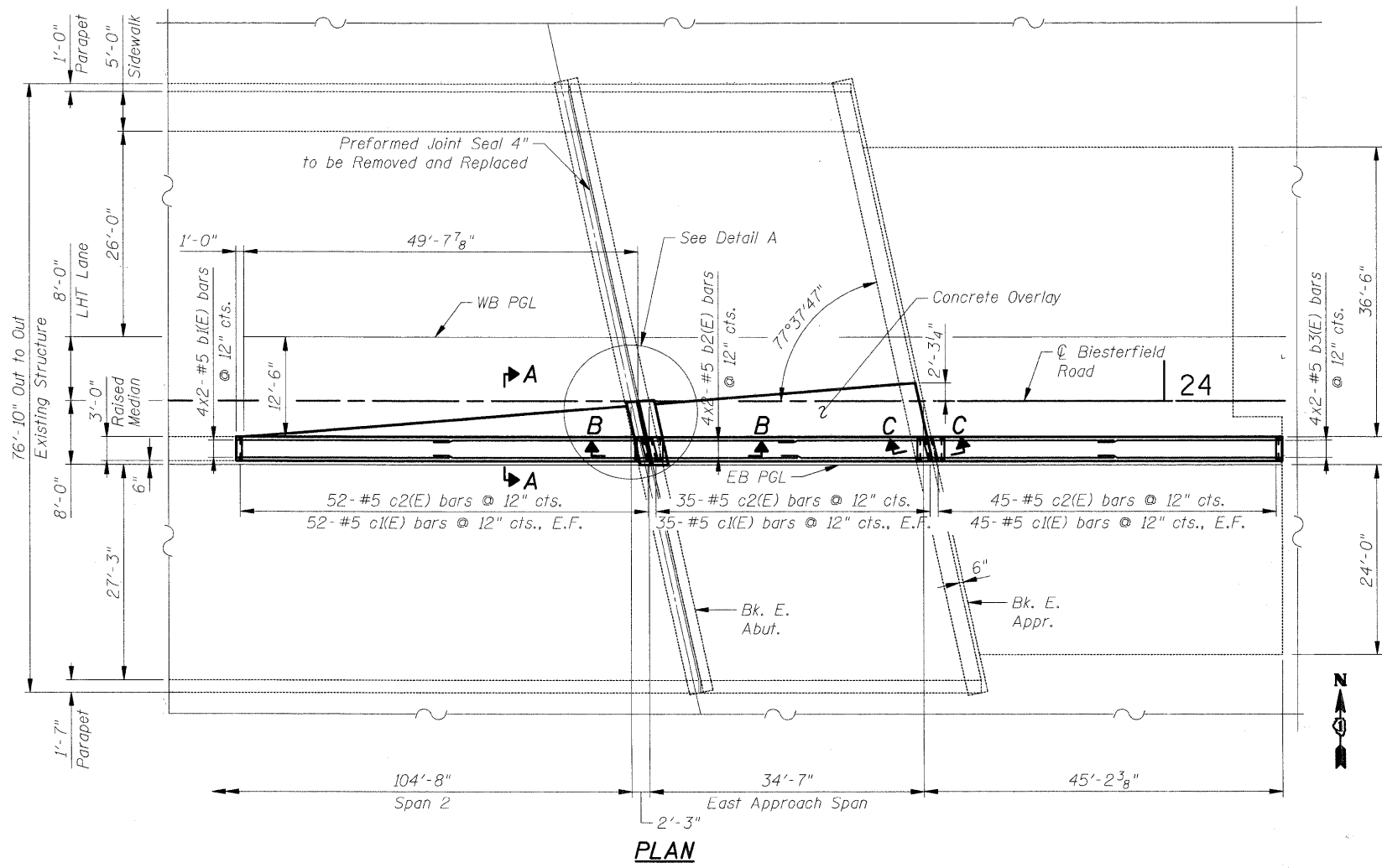
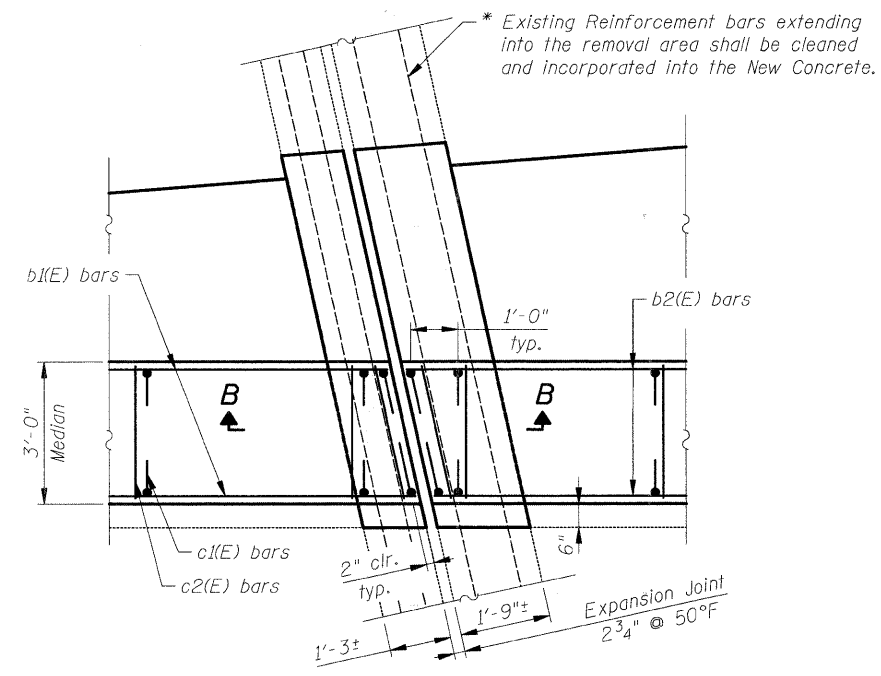
Minimum Bar Lap	
Bar Size	Class A
#5	1'-11"
#6	2'-7"



- Notes:
- Concrete shall be replaced to provide a 2 3/4" Right Angle Jt. @ 50°F.
  - Existing Reinforcement bars extending into the removal area shall be cleaned and incorporated into the New Concrete.



\* Drill and Epoxy grout #5 c<sub>1</sub>(E) bars according to Article 584 of the Standard Specifications. Cost included with Reinforcement Bars, Epoxy Coated.



S4 OF S5

STATE OF ILLINOIS  
DEPARTMENT OF TRANSPORTATION  
DECK & APPROACH RAISED MEDIAN DETAILS  
F.A.U. 1339 BIESTERFIELD ROAD OVER I-290  
SECTION 09-00054-00-CH  
COOK COUNTY  
STATION 22+28.14, STRUCTURE NO. 016-0960  
Scale: None  
Date: July 7, 2010  
By: M. Lange  
Checked By: G. Hatlestad

**CIVILTECH**  
450 E Devon Ave, Suite 300  
Itasca, Illinois 60143  
Tel: 630.773.3900 Fax: 630.773.3975  
www.civiltechinc.com