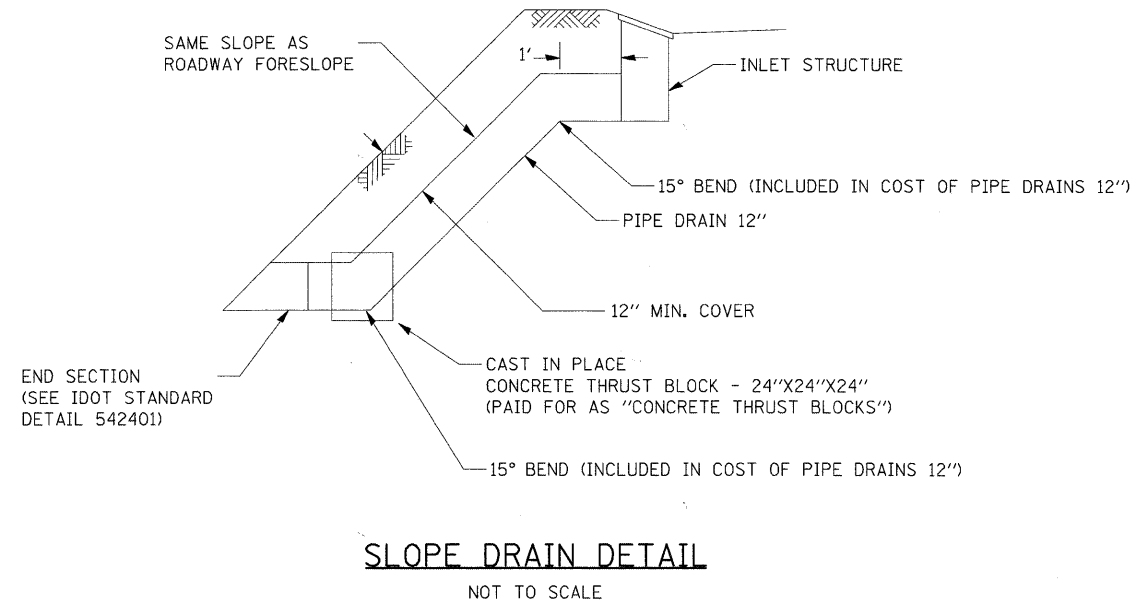
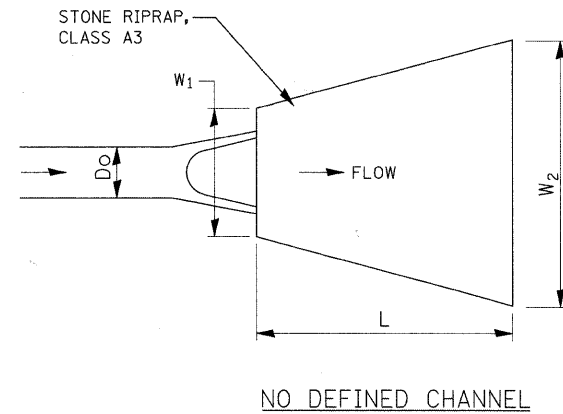


PLAN	SURVEYED	DATE
	PLOTTED	
	CHECKED	
	BY	
	NO. OF WAY CHECKED	
	CADD FILE NAME	
	NO.	



PROFILE	SURVEYED	DATE
	PLOTTED	
	CHECKED	
	BY	
	NO. OF WAY CHECKED	
	STRUCTURE NOTATIONS CHKD	
	NO.	



STONE RIPRAP, CLASS A3 DETAILS									
STRUCTURE NUMBER	STA.	LOCATION OFFSET	PIPE SIZE (IN)	DEFINED CHANNEL	W ₁ (FEET)	W ₂ (FEET)	L (FEET)	THICKNESS (INCHES)	QUANTITY (SQ. YD.)
14	52+20	88.7' LT	12	NO	5	13	12	15	12

FILE NAME = ...\\2349\cad\sheet\2349_DeL_02.dgn

USER NAME = djc

DESIGNED - BLG

REVISED -

PLOT SCALE = 20.0000' / IN.

DRAWN - BLG

REVISED -

PLOT DATE = 7/7/2010

CHECKED - DJK

REVISED -

DATE - 07-07-10

REVISED -

STATE OF ILLINOIS
DEPARTMENT OF TRANSPORTATION

IL ROUTE 53 (BIESTERFIELD ROAD) @ I-290
DETAILS

SHEET NO. 1 OF 1 SHEETS

F.A.U. RTE.	SECTION	COUNTY	TOTAL SHEETS	SHEET NO.
1339	09-00054-00-CH	COOK	88	72
CONTRACT NO. 63505				
FED. ROAD DIST. NO. 1 ILLINOIS FED. AID PROJECT ARA-M-9003(569)				